



**HIGH-EFFICIENCY
CAST IRON BOILER**

WTGO

Provides space and domestic hot water heating.

APPLICATIONS INCLUDE:

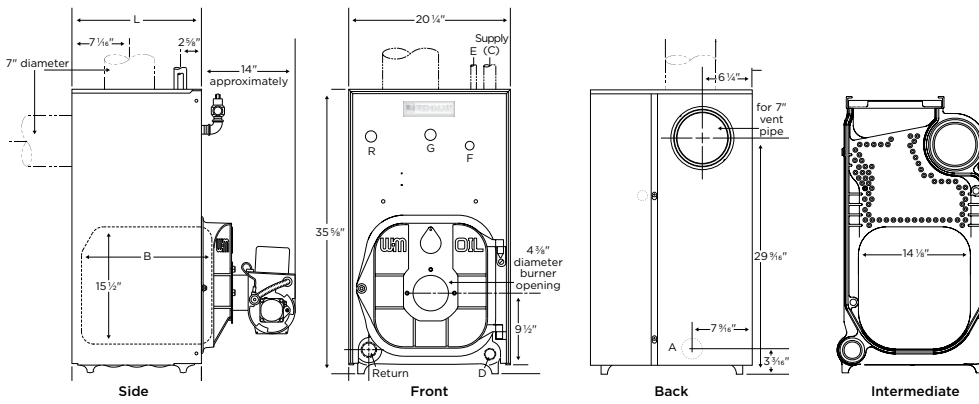
- Residential
- Light Commercial
- Multiple Boilers
- Indirect-fired Water Heating
- Radiant Heating

†ENERGY STAR[®] requires a minimum of 87% AFUE, which is only achieved by reducing the burner rate and installing the specified optional vent damper kit. See Ratings chart on next page.



†Model Dependent

DIMENSIONS



Tapping Location	Size (in.)	Control Tappings
A	1 1/2	Alternative return — semi-packaged & knocked-down units only
G	1/4	Pressure/temperature gauge
D	3/4	Drain valve
F	3/4	High limit/circulator control
E	1/2	Piping to expansion tank or automatic air vent
R	3/4	Relief valve

Boiler Size	Supply C (in.)		Return (in.)	Dimension (in.)		Tankless Heater		
	Packaged with Circulator (circulator flange)	Semi-Packaged & Knocked-Down		B	L	Number	Inlet & Outlet (NPT) (in.)	Temp Control (NPT) (in.)
WTGO-3	1/4	1 1/2	1 1/2	13 1/2	16 7/8	WT-14	1/2	3/4
WTGO-3L	1/4	1 1/2	1 1/2	10 1/2	13 3/4	WT-14	1/2	3/4
WTGO-4	1/4	1 1/2	1 1/2	13 5/8	16 7/8	WT-14	1/2	3/4
WTGO-5	1/4	1 1/2	1 1/2	16 7/8	20	WT-14	1/2	3/4
WTGO-6	1/4	1 1/2	1 1/2	20	22 1/8	WT-14	1/2	3/4
WTGO-7	not applicable	1 1/2	1 1/2	23 1/8	26 1/4	WT-20	1/2	3/4
WTGO-8	not applicable	1 1/2	1 1/2	26 1/4	29 3/8	WT-20	1/2	3/4
WTGO-9	not applicable	1 1/2	1 1/2	29 3/8	32 1/2	WT-20	1/2	3/4

RATINGS

ENERGY STAR [®]	Model ⁴	Burner Input Rating		AHRI Certified Ratings			Tankless Heater Intermittent Draw Rating ¹⁰	Draft Loss Through Boiler (in. w/c)	Minimum Chimney Size			Approx. Shipping Weight (Lbs.)
		GPH ⁵	MBH ⁵	Heating Capacity (MBH) ^{7,9}	Net Ratings (MBH) ^{7,9}	AFUE			Rectangular (in.)	Round (in.)	Height (Ft.)	
	WTGO-3LR	0.70	98	86	75	86.4	3.25	.010	8 x 8	6	15	560
	WTGO-3LD	0.95	133	115	100	86.0	3.25	.010				560
	WTGO-3R	0.80	112	98	85	86.2	3.25	.020				610
*	WTGO-3RD	0.80	112	98	85	87.0	3.25	.010				610
	WTGO-3D	0.95	133	115	100	86.0	3.25	.020				610
	WTGO-4R	1.00	140	122	106	86.2	3.75	.010				660
*	WTGO-4RD	1.00	140	123	107	87.0	3.75	.010	660			
	WTGO-4D	1.20	168	146	127	86.0	3.75	.010	660			
	WTGO-5R	1.20	168	147	128	86.1	4.00	.015	775			
*	WTGO-5RD	1.20	168	148	129	87.0	4.00	.015	775			
	WTGO-5D	1.45	203	176	153	86.0	4.00	.015	775			
	WTGO-6R	1.40	196	171	149	86.1	4.25	.015	875			
*	WTGO-6RD	1.40	196	173	150	87.0	4.25	.015	875			
	WTGO-6D	1.75	245	213	185	86.0	4.25	.015	875			
	WTGO-7R	1.60	224	196	170	86.0	5.50	.015	930			
*	WTGO-7RD	1.60	224	197	171	87.0	5.50	.015	930			
	WTGO-7D	2.00	280	244	212	86.0	5.50	.015	930			
	WTGO-8	2.30	322	266	231 ⁸	-	5.75	.025	1,030			
	WTGO-9	2.55	357	295	257 ⁸	-	6.00	.030	1,135			

Boiler order options include
 Packaged boiler: Assembled block with jacket, collector hood and controls installed (order burner separately); sizes 3-6
 Semi-packaged boiler: Assembled block with jacket and collector hood installed (order burner and trim separately); sizes 3-6
 Knocked-down boiler: Assembled block, all other components are cartoned and shipped separately; all sizes



STANDARD EQUIPMENT:

BOILER

- Factory tested and assembled cast iron section assembly (jacket and collector hood are not assembled on 7, 8 and 9 section blocks)
- Tankless heater (Packaged* units) or tankless opening cover plate (Semi-Packaged* & Knocked-Down* units)
- Insulated steel jacket
- Aluminized steel flue collector hood with flue cap on top outlet (convertible to rear outlet)
- Swing-away burner mounting door
- Refractory blanket and target wall in combustion area
- Circulator (when ordered)
 - Sizes 3-4: Taco 007e
 - Sizes 5-6: Taco 007
- Combination limit control, tankless heater control and LWCO with integrated service switch
- Two vent pipe brackets
- Pressure/temperature gauge
- 30 PSI ASME relief valve (boiler sections tested for 50 PSIG working pressure)
- Drain valve
- Barometric damper

OPTIONAL EQUIPMENT:

- High-efficiency flame-retention oil burner (Beckett AFG, Carlin EZ or Riello). Specify 2-Stage fuel unit (optional, Beckett) if required
- Vent damper kits

LIMITED TRANSFERABLE WARRANTY:

- Residential: 20 Years Heat Exchanger; 2 Years Parts
- Commercial: 10 Years Heat Exchanger; 1 Year Parts

⁴Boiler model suffixes:

R = Reduced input version—a burner nozzle change may be required, refer to the burner instructions or boiler's rating label for correct selection. No separate/additional damper kit required.

D = High input version—installation of the separate High Input Vent Damper kit (part # 381800515) is required, also a burner nozzle change may be required, refer to the burner instructions or boiler's rating label for correct selection.

RD = ENERGY STAR 87% AFUE compliant only when installed with the separate ES Vent Damper kit (part numbers 381800501 through 381800506) and at the reduced burner rate.

L = Designates a boiler with a special narrow front section (1/2 supply tapping) for space constraint installations (i.e., Levittown).

⁵No. 2 fuel oil—Commercial Standard Specification CS75-56. Heating value of oil-140,000 BTU/Gal.

⁶Based on standard test procedures prescribed by the United States Department of Energy.

⁷MBH refers to thousands of BTU per hour.

⁸AHRI gross output.

⁹Net AHRI ratings are based on net installed radiation adequate for the requirements of the building, including a piping and pickup allowance of 1.15-sufficient for normal conditions. Provide additional allowance only for unusual piping and pickup loads.

¹⁰Tankless heater rating is in gallons of water per minute, heated from 40°F to 140°F with 200°F boiler water temperature—tested in accordance with I-W-H testing and rating standard for indirect tankless water heaters test with boilers.

In the interest of continual improvement in product and performance, Weil-McLain reserves the right to change specifications without notice.