



†Model
Dependent

HIGH-EFFICIENCY CAST IRON BOILER

EG

Order **PEG*** for factory assembled and tested packaged boiler (steam only, sizes 30 through 65).
Optional tankless heater coils available for domestic hot water applications—EG tankless opening blocks only.

EG Water version now with built-in low water cut off (*without tankless only*)

Ideal for residential and commercial installations

Durable cast iron design for long service life

Built by North America's leading boiler manufacturer



DIMENSIONS

Model	Number & Size		Dimensions (In.)			Gas Connection Size ¹ Natural	Minimum Recommended Pipe Sizes		
	Supply (NPT)	Return (NPT)	D	V	W		Forced Water Supply & Return ²	Steam Header ³	Steam Equalizer
EG-30	2-3"	2-2½"	5"	6"	17"	½"	1"	2"	1½"
EG-35	2-3"	2-2½"	5"	6"	17"	½"	1"	2"	1½"
EG-40	2-3"	2-2½"	6"	6½"	21¼"	½"	1¼"	2½"	1½"
EG-45	2-3"	2-2½"	6"	6½"	21¼"	½"	1¼"	2½"	1½"
EG-50	2-3"	2-2½"	7"	9"	25½"	½"	1¼"	2½"	1½"
EG-55	2-3"	2-2½"	7"	9"	25½"	½"	1½"	3"	1½"
EG-65	2-3"	2-2½"	8"	9½"	29¾"	¾"	1½"	3"	1½"
EG-75	2-3"	2-2½"	8"	9½"	34"	¾"	2"	3"	1½"

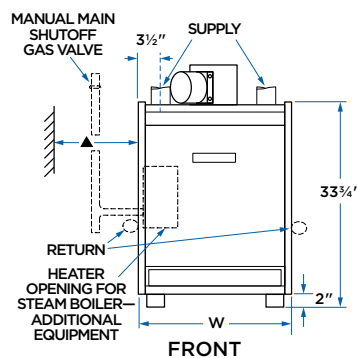
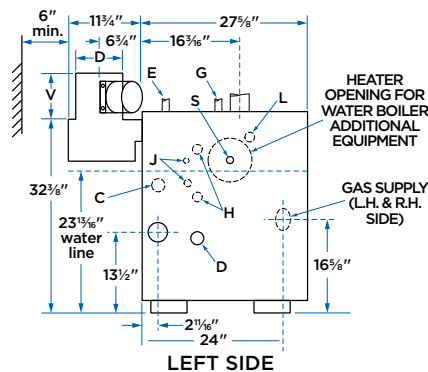
¹Sizes shown are gas connection sizes. Gas piping from meter to boiler to be sized according to local utility requirements.

²All supply and return sizes are based on a 20°F temperature rises through the boiler.

³24" minimum from water line to header.

Location	Size	Steam	Water
C	¾"	Electrode-Type-Low-Water Cutoff	Electrode-Type-Low-Water Cutoff
D	¾"	Drain	Drain
E	¾"	Safety Valve	Safety Relief Valve
G	¾"	Plugged	Piping to Compression Tank or Auto. Air Vent
H	½"	Gauge Glass and/or Low-Water Cutoff	Combination Pressure-Temperature Gauge
J ⁴	⅜"	Tri Cock Tappings	Plugged
L	½"	Siphon, Pressure Gauge, High-Limit Control	Combination Pressure-Temperature Gauge
S (steam)	1½"	Skim Tapping	—
S (water)	¾"	**	Limit Control

**Available only on special request, when tankless heater is specified.



STANDARD EQUIPMENT:

BOILER

- Factory-assembled section block
- Insulated extended jacket
- Horizontal to vertical draft hood
- Automatic vent damper (additional for EG-75)
- Combination gas valve for 24 volt
- Non-linting pilot burner
- Stainless steel burners
- Electrical junction box
- Spill switch
- Rollout thermal fuse element

WATER BOILERS ONLY:

- Built-in-air separator
- 30 PSI ASME relief valve (boiler sections tested for 50 PSI working pressure)
- Combination pressure-temperature gauge
- High-limit control
- Intermittent electronic ignition system with Weil-McLain UCM universal ignition control module (with tankless only)
- Intermittent electronic ignition system with indicator/diagnostic lights, and integrated low-water cutoff with test button (without tankless only)
- 40 VA transformer
- Plug-in connector and wiring

STEAM BOILERS ONLY:

- 15 PSI ASME relief valve
- High-limit pressure control
- Low water cutoff-electrode type
- 40 VA transformer
- Steam pressure gauge
- Siphon
- Gauge cocks and glass
- Intermittent electronic ignition system with Weil-McLain UCM universal ignition control module

OPTIONAL EQUIPMENT:

- Packaged steam boilers—factory assembled and tested (P-EG-30 through 65 only)
- Left end section with openings for tankless heaters
- Tankless heaters, heater cover plates, and controls
- Automatic vent damper for EG-75 with electronic ignition
- Outdoor reset kit (for water boilers without tankless only, part #381-356-586) Low cost, simple plug-in sensor-check local utility program for possible rebate.

LIMITED TRANSFERABLE WARRANTY:

- Residential—water: 20 Years Heat Exchanger; 2 Years Parts
- Residential—steam: 10 Years Heat Exchanger; 2 Years Parts
- Commercial: 10 Years Heat Exchanger; 1 Year Parts

⁴Based on standard test procedures prescribed by the United States Department of Energy.

⁵Net AHRI ratings are based on net installed radiation of sufficient quantity for the requirements of the building and nothing needs to be added for normal piping and pick-up. Water ratings are based on a piping and pick-up allowance of 1.15, steam ratings on an allowance of 1.333. An additional allowance should be made for unusual piping and pick-up loads.

RATINGS

Model*	CSA Input (MBH)	AFUE		DOE Heating Capacity (MBH) ⁴		Net AHRI Ratings ⁵			Chimney Size	Approx. Shipping Weight (Lbs.)
		Intermittent Ignition w/Damper Natural Gas (PIDN)		Water	Steam	Water (MBH)	Steam (MBH)	Steam (Sq./Ft.)		
		Water	Steam	Water	Steam					
EG-30-*	75	84%	82%	64	62	56	47	196	5" I.D. x 20'	430
EG-35-*	100	84%	82%	85	82	74	62	258	5" I.D. x 20'	430
EG-40-*	125	84%	82%	106	103	92	77	321	6" I.D. x 20'	505
EG-45-*	150	84%	82%	127	124	110	93	388	6" I.D. x 20'	505
EG-50-*	175	84%	82%	148	145	129	109	454	7" I.D. x 20'	585
EG-55-*	200	84%	82%	169	166	147	125	521	7" I.D. x 20'	585
EG-65-*	238	84%	82%	201	198	175	149	621	8" I.D. x 20'	660
EG-75-*	282	84%	82%	237	234	206	176	733	8" I.D. x 20'	735

*Add "P" to prefix for factory-assembled fire-tested package boiler (steam only sizes, 30 through 65).

EG boiler is CSA design certified for installation on non-combustible flooring only. Tested for 50 PSI working pressure. Not available for millivolt systems.

