

AHE Series 2 and 3 Blower and Ignition Control Components

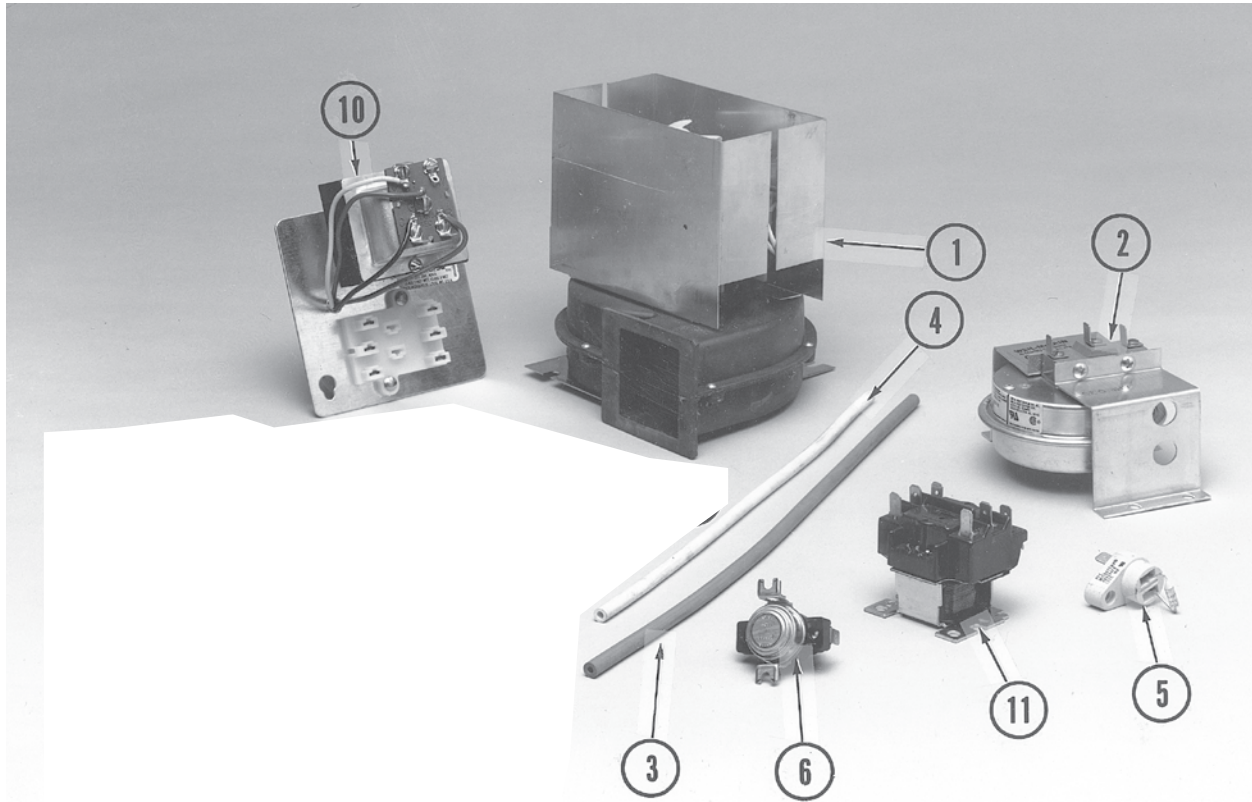


Fig No.	Part No.	Description	Mfr.	Mfr's Part No.	Boiler Size
1	510-811-466	Blower and Motor Assembly Replacement Kit (Includes Blower Housings Left & Right, Mounting Plate, Blower Wheel, Blower Motor 120/60/1, Motor Fan, Guard), Series 2 & 3	Weil-McLain		45,60
2	511-624-530	Differential Pressure Switch, SPST Switch Action, 0.35" W.C. Setting, Sea Level to 4,000 ft. Elevation, Series 2 & 3	Tridelta	FS6707-1388	45
	511-624-532	Differential Pressure Switch, SPST Switch Action, 0.30" W.C. Setting, Sea Level to 4,000 ft. Elevation, Series 2 & 3	Tridelta	FS4125-116	45
3	590-317-636	Pressure Differential Switch Tubing, 1/8" ID x 14 1/2", Red, Series 2 & 3	Tridelta	FS6707-1389	60
			Tridelta	FS4125-117	60
3	590-317-632	Pressure Differential Switch Tubing, 1/8" ID x 7", White, Series 2 & 3	Weil-McLain		45,60
5	512-050-235	Thermo Fuse, 121° C, Series 2 & 3	Weil-McLain		45,60
6	510-350-062	Low Water Cut-Off Temperature Control Device, 240° F Setting, SPST Switch Action, Manual Reset (Red Manual Reset Push Button), Series 2 & 3	Hamilton-Standard	404-132	45,60
			Thermodisc	60T25330850	45,60