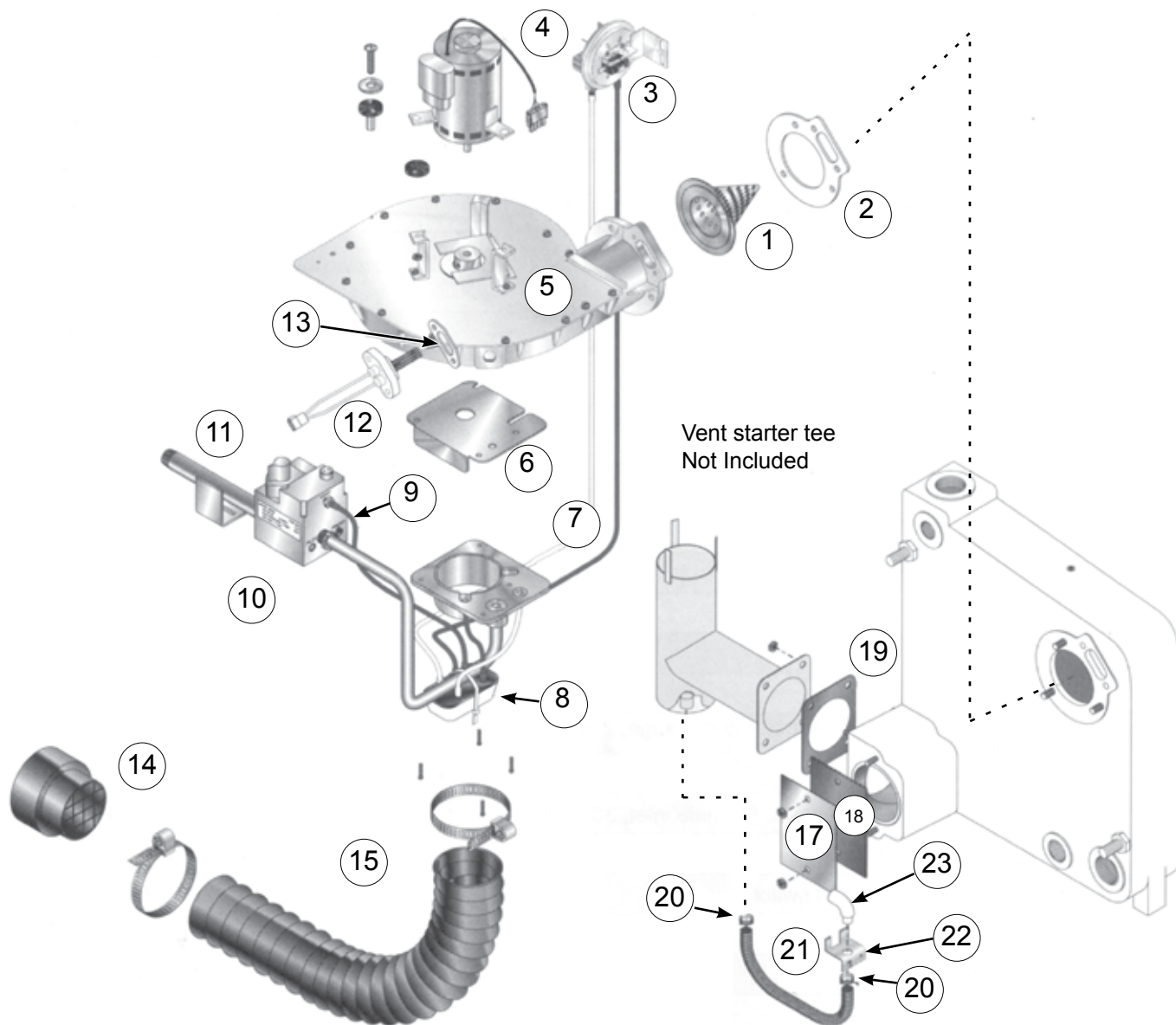


## GV Series 3 Blower Assembly Components



Vent starter tee  
Not Included

Fig. No.	Part No.	Description	Mfr.	Mfr's Part No.	Model
1	382-200-320	Burner Replacement Kit, burner cone and ring assembly, blower flange gasket, igniter, igniter gasket, igniter screws and washers	Weil-McLain		GV-3
	382-200-325		Weil-McLain	GV-4	
	382-200-330		Weil-McLain	GV-5	
	382-200-335		Weil-McLain	GV-6	
2	590-317-610	Blower Flange Gasket	Weil-McLain		
3	511-624-520	Pressure Switch (0 to 5500 ft. elevation) 1.4" W.C.	Honeywell	IS20292-5426	
	382-200-317	Pressure Switch Kit (5500 ft. to 10,000 ft. elevation) 1.25" W.C.	Honeywell	IS20292-5477	
4	382-200-345	Blower Motor Replacement Kit (Includes: Blower motor, motor mount grommets, screws, lock nuts, 9" tee handle Allen wrench)	Fsco	7162-2941	
5	382-200-340	Blower Assembly Replacement Kit (Includes: blower housing assembly, blower motor with mounting brackets, magnetic washer, blower flange gasket, igniter, igniter gasket, screws and washers)	Weil-McLain		