



Universal Furnace Igniter Kit 1090

Compatible with 17, 34 & 45 second warm-up modules

Caution:

- Igniters are fragile.
- Handle with care.

Kit Includes:

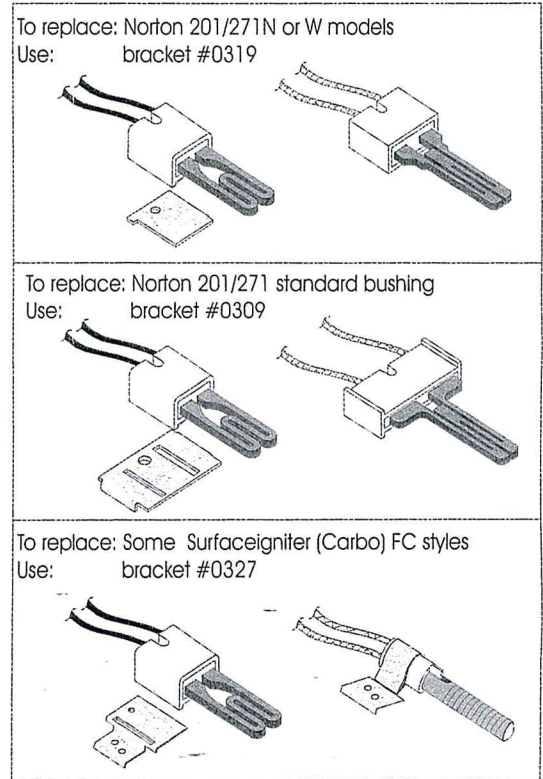
- (1) Igniter 11120-100-1090
- (3) Brackets 0309, 0319, 0327
- (1) Thread cutting screw
- (2) Ceramic wire nuts
- (1) Silicone Fiberglass Sleeveing

Installation Procedure:

1. Turn off electrical power to appliance/furnace.
2. Remove old igniter from furnace.
3. Cut the lead wires 3-4" from the base of the igniter bushing.
4. Inspect the lead wires and terminal connector(s) cut from old igniter. They will be needed again for connecting the new igniter. *
5. Compare base of old igniter with adapter brackets in kit. Select bracket that matches.
6. Slide high temperature sleeveing over wires if necessary.
7. Attach the terminal connector wires from the old igniter to the new igniter and secure with ceramic wire nuts supplied.
8. Install new igniter in furnace/appliance.
9. Test appliance/furnace.

* It is the responsibility of the installer to inspect the existing lead wires and terminal connector(s) as to their condition and usability. Wire displaying frayed or charred insulation, exposed bare wire, or loose connections should not be used.

See reverse side for a cross reference list dated 01/06



Cross Reference

Amana
10735003

Armstrong Air
38322B001

Carrier
LH33ZS001
LH33ZS002

Clare
C238
C242

Detroit Radiant
201D

DMO Ind. / Olsen
20834
26789

Dornback
271W

Ducane
20015201

Enerco Tech.
10399

Gemline
IG1000

HB Smith
50018

Hupp Industries
09050

Lennox
33J37

Metzger
201N
201W

Nordyne
632-363
903758

Raypak
600915

Rheem / Ruud
62-22441-01
62-22868-92
62-22868-93

Robertshaw / Uniline
41-238
41-242
41-402
41-403
41-405
41-407
41-408
41-409

41-410
41-411

Snyder General
1380654
1380672
1380680

Starlite
11120-100- 0552
11120-100- 0561
11120-100- 0565
11120-100- 1033
11120-100- 1056
11120-100- 1062
11120-100- 1402
11120-100- 1403
11120-100- 1405
11120-100- 1407
11120-100- 1408
11120-100- 1409*
11120-100- 1410
11120-100- 1411
*some

Trane
B138196P01
B144676P01
B144676P02
B340039P01
IGN23
IGN26
IGN30
340039P01

Viessman
9302-094

Weil McLain
511-330-139
511-330-193

White Rodgers
767A-301
767A-306
767A-310
767A-350
767A-352
767A-354
767A-361
767A-365

Williamson
0950

York
025-27766-000
025-27774-000
025-29043-000
025-29050-000