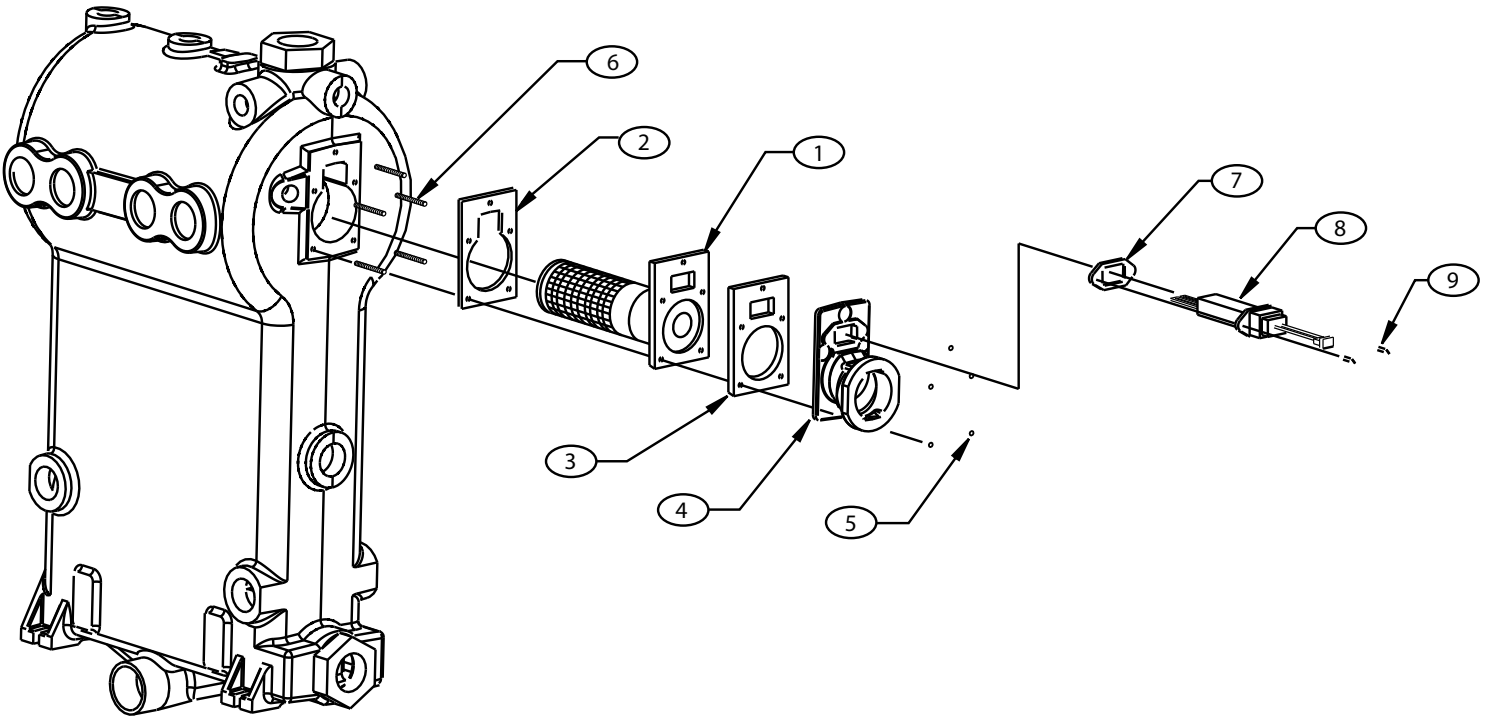


BURNER ASSEMBLY



ITEM	PART NO.	DESCRIPTION	QTY.
1	2272149	Burner Replacement Kit	1
2	1250009	Burner/Casting Gasket	1
3	1250008	Burner/Flue Adapter Gasket	1
4	12101022	Flue Adapter	1
5	14695810	Hex Nut w/Serrated Washer ¼"-20	5
6	1450011	Threaded Stud ¼"-20 x 1½"	5

Hot Surface Igniter Replacement Kit (P/N#550002068)

(includes Items 7-9 (below))

7	—	Igniter/Mixer Gasket	1
8	—	Hot Surface Igniter	1
9	—	Screw 10-32 x ¾"	2