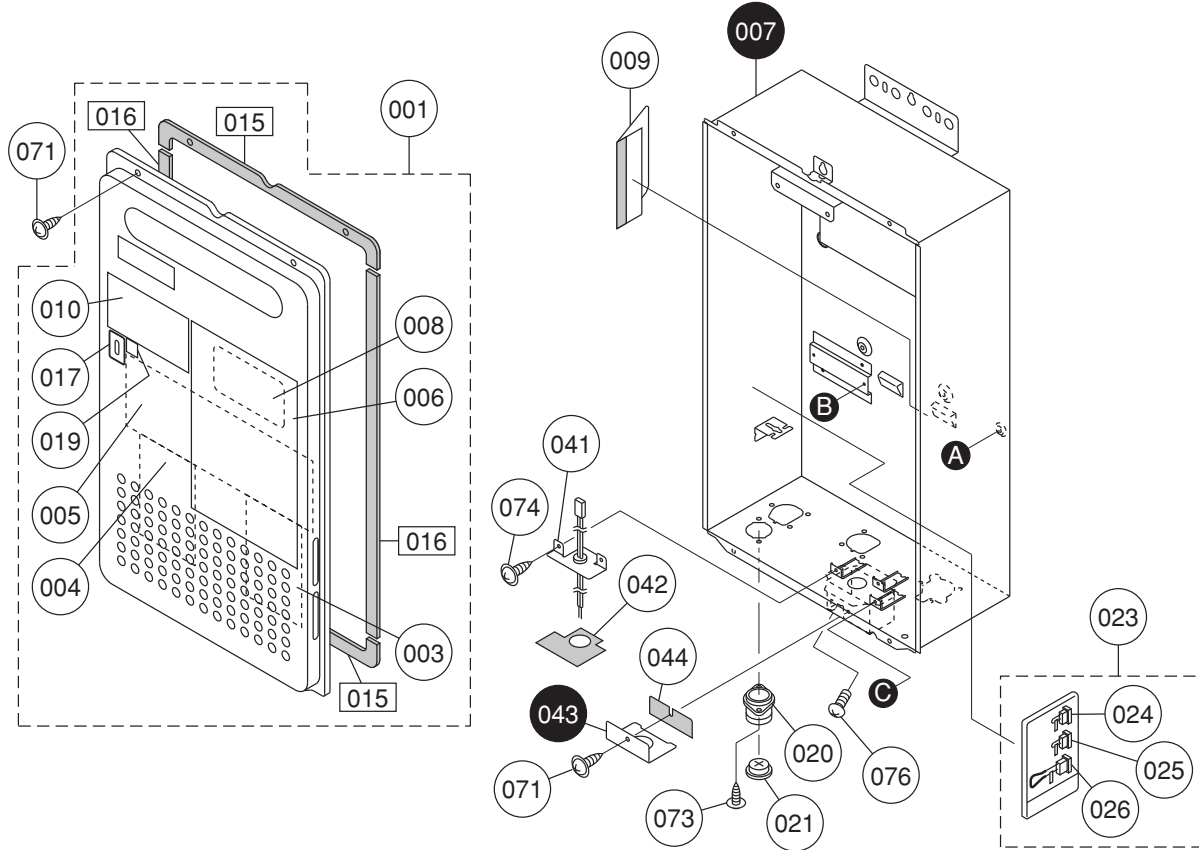
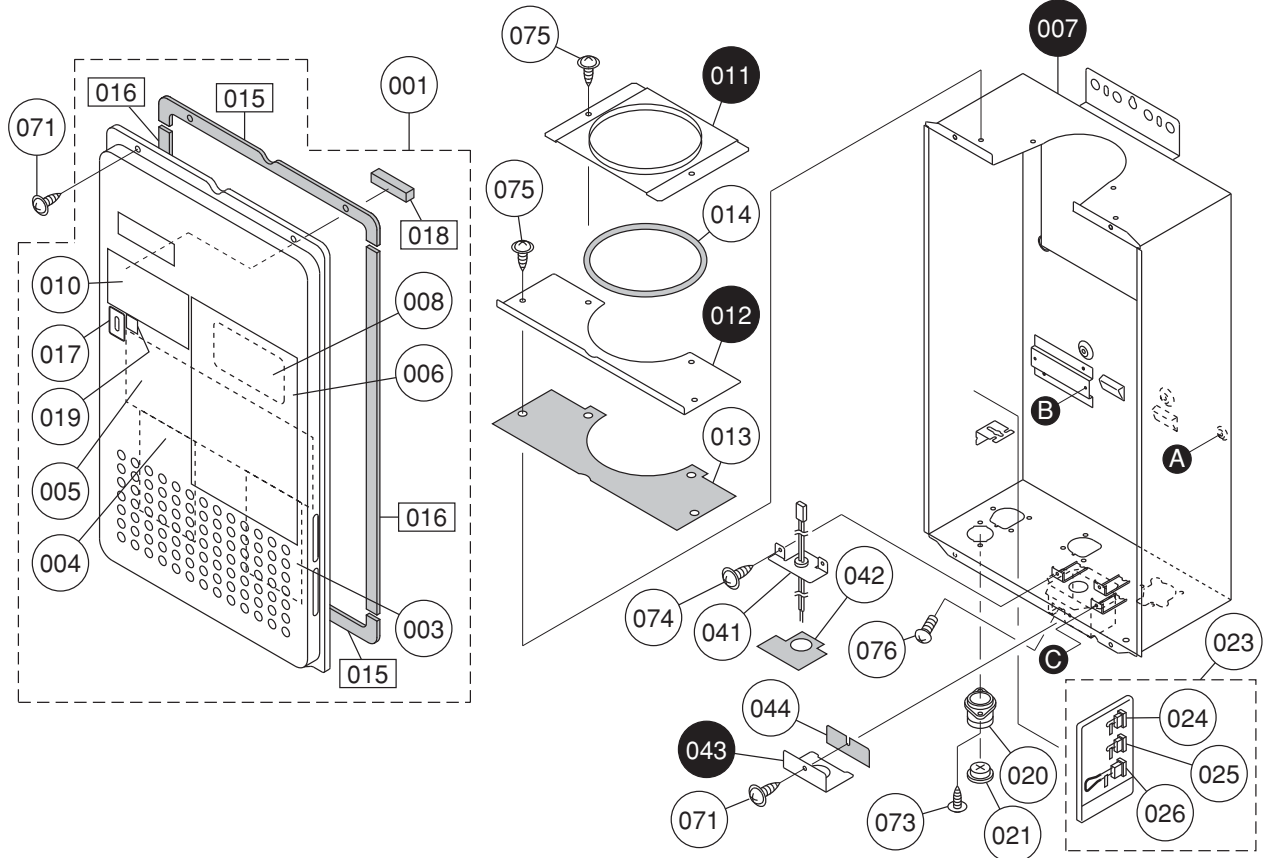


# External outfitting NR71-OD, NR71-SV

For NR71-OD



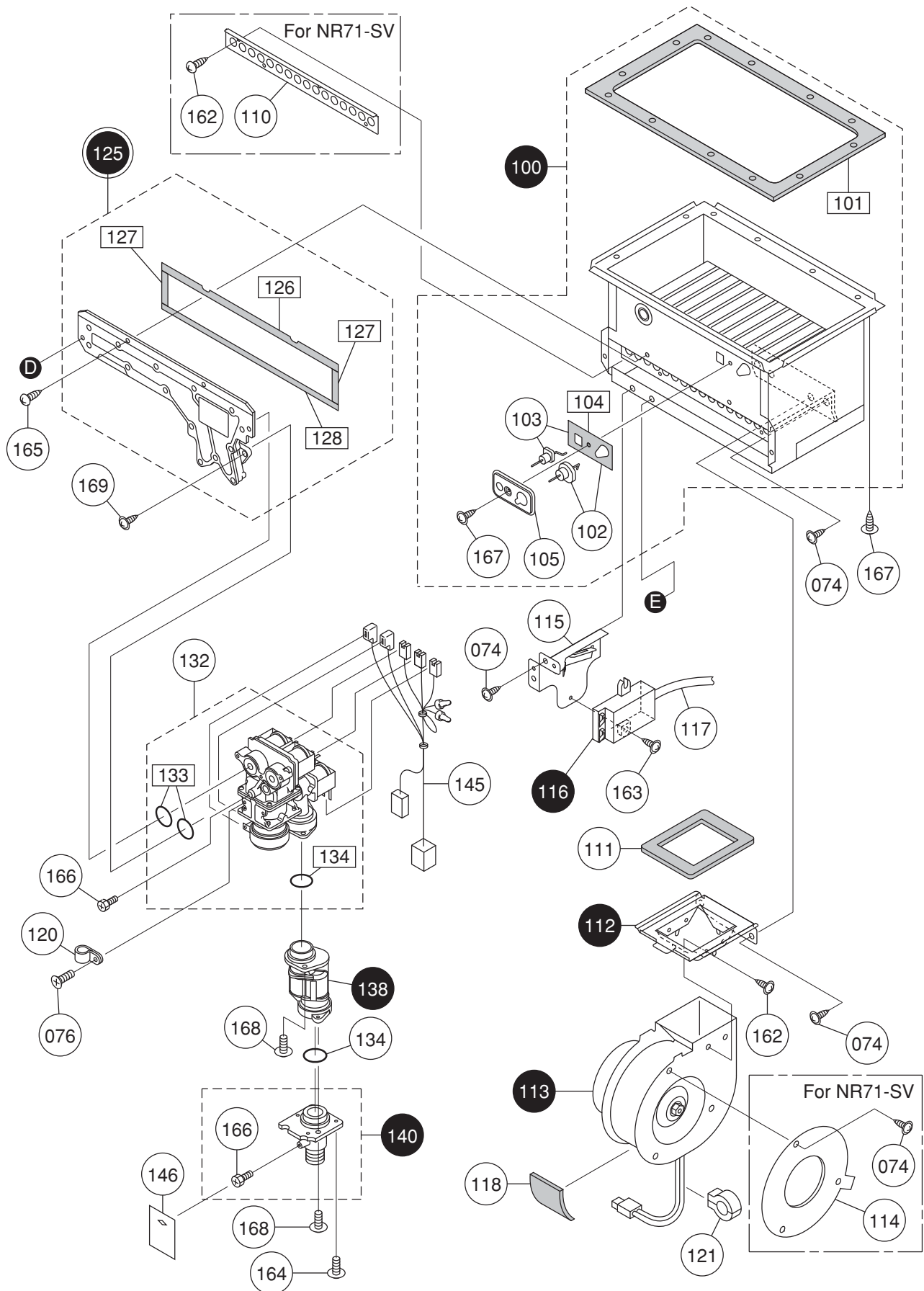
For NR71-SV



## External outfitting NR71-OD,NR71-SV

Part Nos.	Part Names	Order Nos.	Q'ty/unit
001	NR71-OD Front set-AS	SKF7361	1<NR71-OD>
	NR71-SV Front set-AS	SKF7360	1<NR71-SV>
003	Caution label CA1 EHU	EHUK008	1
004	Caution label CA2 EHU	EHUK009	1
005	Connection diagram label ESC	ESCK005	1
006	Caution label ENG ELV	ELVK003	1
007	Case W EMW	EMWA011	1<NR71-OD>
	Case H EMW	EMWA001	1<NR71-SV>
008	Plug insulation sheet DKE	DKEK001	1
009	Rain cap EMW	EMWA016	1<NR71-OD>
010	Rating plate 2 OD(W) ELV	ELVK009	1<NR71-OD>
	Rating plate 2 H ELV	ELVK004	1<NR71-SV>
011	Case top cover 2 EDL	EDLA005	1<NR71-SV>
012	Case top cover 1 EDL	EDLA004	1<NR71-SV>
013	Case top packing EDL	EDLL001	1<NR71-SV>
014	Exhaust cylinder packing EDL	EDLL002	1<NR71-SV>
015	Front packing 1 EAA	EAAL002	2
016	Front packing L AAP	AAPL017	2
017	Lamp seal plate DEC	DECK008	1
018	Terminal block packing 2 DAN	DANL011	1<NR71-SV>
019	Energy star mark label ENJ	ENJK071	1
020	Wiring coupling BXK	BXKA022	1
021	Grommet CXP	CXPA026	1
023	Parts list sheet set ESC	ESCK011	1
024	Bridge 130 EMW	EMWJ020	1
025	Bridge 140 EMW	EMWJ021	1
026	Bridge 160 EMW	EMWJ022	1
041	Junction box top set ENW	ENWA016	1
042	Junction box packing ENW	ENWL003	1
043	Junction box cover (SUS ENJ)	ENJA015	1
044	Junction box cover packing ENW	ENWL005	1
071	Cross recessed truss type3 EVERTIGHT tapping screw with PW 4X12		
073	Cross recessed round-head collar type3 EVERTIGHT tapping screw 4X12		
074	Cross recessed round-head collar N-tapping screw 4X8		
075	Cross & straight recessed truss type3 S TIGHT tapping screw 4X10		
076	Cross recessed truss machine screw M4X8		

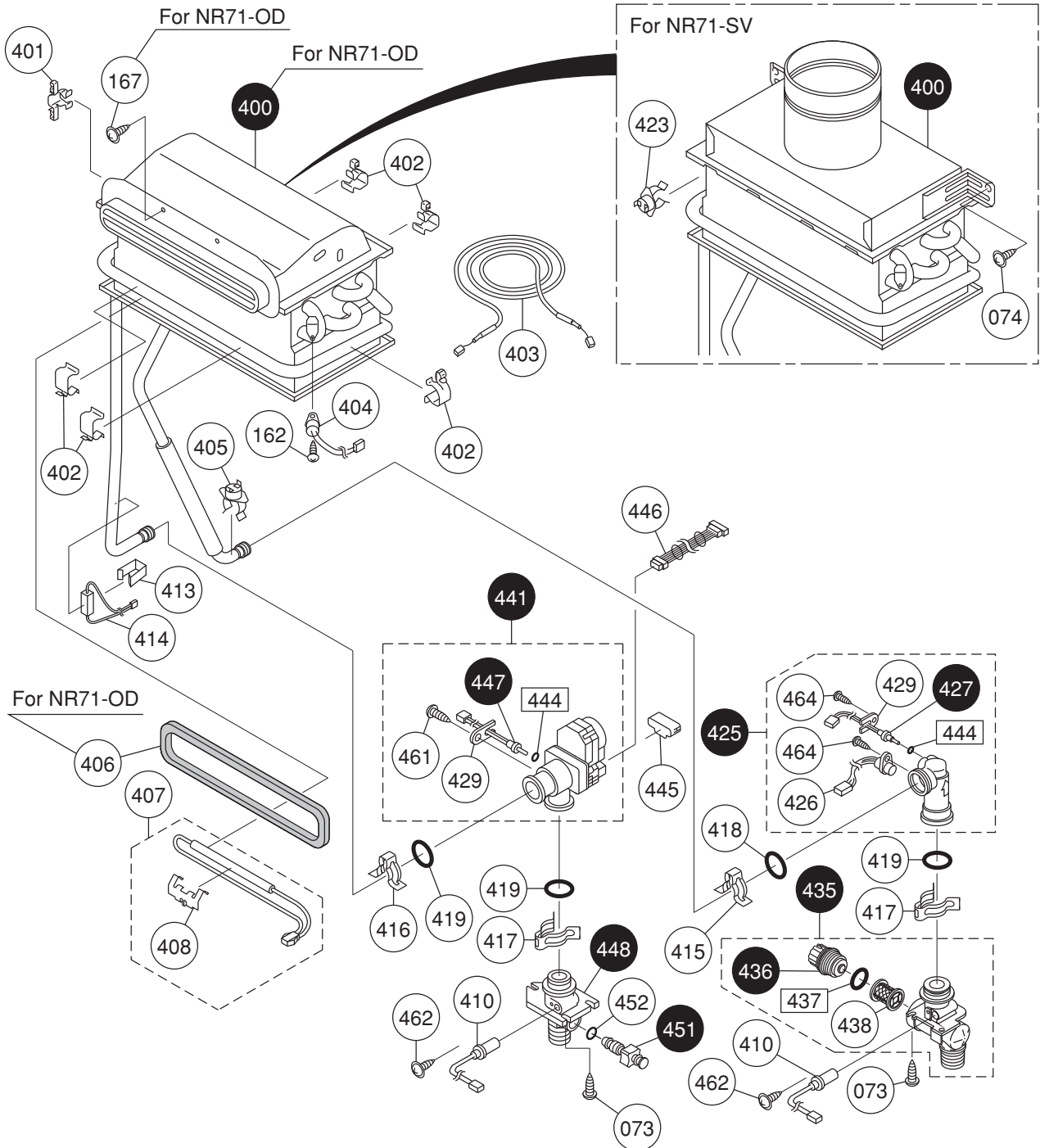
# Combustion unit and gas route NR71-OD,NR71-SV



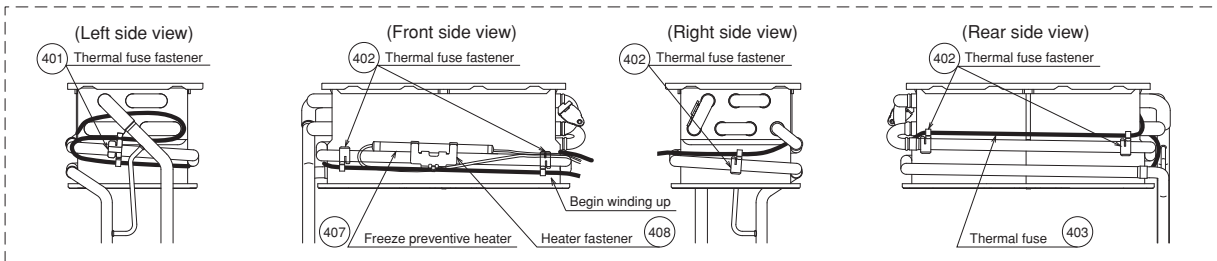
# Combustion unit and gas route NR71-OD,NR71-SV

Part Nos.	Part Names	Order Nos.	Q'ty/unit
100	Combustion tube set EMG SET-V	SKC7234	1
101	Suction air joint packing DTJ	DTJL001	1
102	Ignition plug CZL & packing DLK SET-V	SBC7684	1
103	Flame rod & packing DLK SET-V	SBC7685	1
104	Plug packing (for B) DLK	SAB2715	1
105	Plug mounting plate (for B) DLK	DLKC029	1
110	Main damper 11 DTJ	DTJC041	1<NR71-SV>
111	Fan packing Q DTJ	DTJL004	1
112	Fan flange DTJ	DTJF035	1
113	Fan moter DTJ SET-AS(INT)	SKC7549	1
114	Bell-mouth $\phi$ 40 DTJ	DTJF043	1<NR71-SV>
115	Mounting plate for igniter DTJ	DTJA015	1
116	Igniter CRP	CRPJ002	1
117	High-voltage cord L350 ALS	ALSJ079	1
118	Conduit guard packing DTJ	DTJL010	1
120	Nylon clamp HP-4N (NK-4N)	7287909	1
121	Ferrite core EGH	EGHJ022	1
125	Manifold L16 DTJ SET-AS	SBC7686	1<LP>
	Manifold L24 DTJ SET-AS	SKF7359	1<NG>
126	Manifold seal packing top DTJ	DTJL005	1
127	Manifold seal packing side DTJ	DTJL007	2
128	Manifold seal packing bottom DTJ	DTJL006	1
132	Gas mech. S16D EDN SET-V	SBE7833	1
133	O-ring P18	2110903	2
134	O-ring P28	1648306	2
138	Gas mech. coupling EHU	EHUE011	1
140	Gas fitting 3/4NPT SET DTJ	DTJE725	1
145	Conduit R10 SET EMW	EMWJ006	1
146	Gas fitting label ELV	ELVK005	1
162	Cross recessed round-head N-tapping screw 4X8		
163	Cross recessed round-head collar N-tapping screw 4X12		
164	Cross recessed truss machine screw with PW M4X12		
165	Cross recessed round-head type3 EVERTIGHT tapping screw 5X16		
166	Cross recessed hexagon head machine screw M4X8		
167	Cross recessed round-head collar N-tapping screw 4X10		
168	Cross recessed round-head machine screw M5X12		
169	Cross recessed round-head SPAKmachine screw with guide M4X14		

# Hot-water feed route NR71-OD, NR71-SV



## (Thermal fuse rounding procedure)

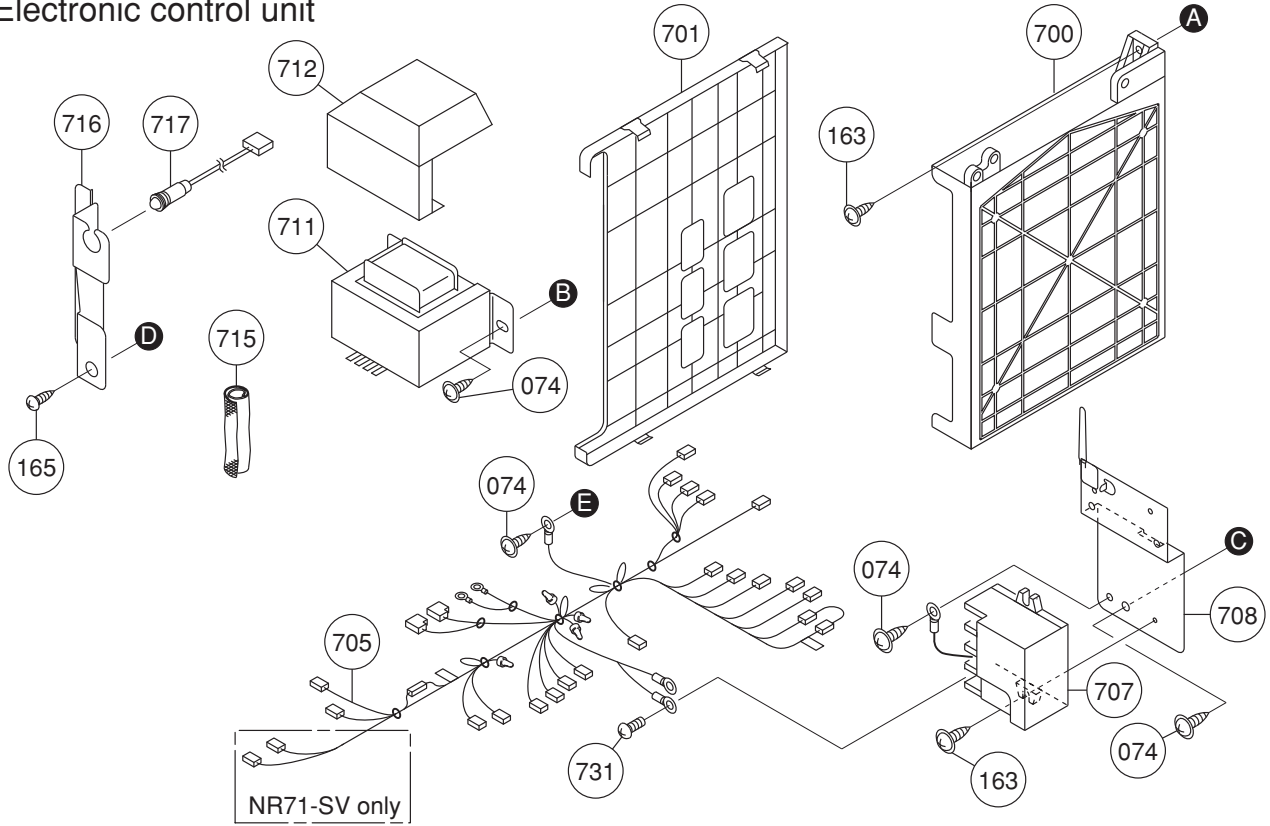


# Hot-water feed route NR71-OD, NR71-SV

Part Nos.	Part Names	Order Nos.	Q'ty/unit
400	Heat exchanger & Exhaust box W EMW SET-AS	SKC7543	1<NR71-OD>
	Heat exchanger & Exhaust box H EMW SET-AS	SKC7544	1<NR71-SV>
401	Thermal fuse fastener CZL	CZLH005	1
402	Thermal fuse fastener DTJ	DTJH002	5
403	Thermal fuse QDTJ label EMW SETV	SKC7547	1
404	Remaining flame safety device 94 ELV	ELVH002	1
405	Thermostat SET DJP	DJPH003	1
406	Front top packing Q CZR	CZRL001	1<NR71-OD>
407	Freeze preventive heater CRP label EMWSETV	SKC7548	1
408	Heater fastener EHK	EHKH001	1
410	Freeze preventive heater 3 BGD	BGDH002	2
413	Heater fastener M AJB	AJBL002	1
414	Freeze preventive heater 2 BGD	BGDH005	1
415	Quick fastener 13-22	SAD6537	1
416	Quick fastener 16-25	SAD6593	1
417	Quick fastener 16A	6340300	2
418	Chlorinated water-resistant O-ring P12.5	3359808	1
419	Chlorinated water-resistant O-ring P16	3223302	3
423	Thermostat BVU	BVUH002	1<NR71-SV>
425	Water flow sensor set 3 DUV	DUVD019	1
426	Water outlet magnetic sensor BWC	BWCD090	1
427	Water inlet thermistor-300 BWC	BWCD097	1
429	Thermistor holding plate ALS	ALSD088	2
435	Water inlet fitting 20A set EHV	EHVD001	1
436	Water filter cover DTJ	DTJD006	1
437	O-ring P16DF BRQ	BRQL008	1
438	Water filter (SUS) EGB	EGBD032	1
441	Water flow servo set HKP	HKPD005	1
444	Chlorinated water-resistant O-ring P4	1323709	2
445	Waterproof cover CZL	CZLD041	1
446	Conduit 86 DTJ	DTJJ006	1
447	Hot-water thermistor-300 BWC	BWCD096	1
448	Hot-water outlet fitting 20A EHU	EHUD004	1
451	Drain cock CRU	CRUD003	1
452	Hot-water resistant O-ring P3	SAD6633	1
461	Cross recessed round-head P TIGHT screw 4X10		
462	Cross & straight recessed truss type3 S TIGHT tapping screw 4X6		
464	Cross recessed round-head P TIGHT screw 4X10		

# Electronic control unit, Remote controller and Attached set NR71-OD, NR71-SV

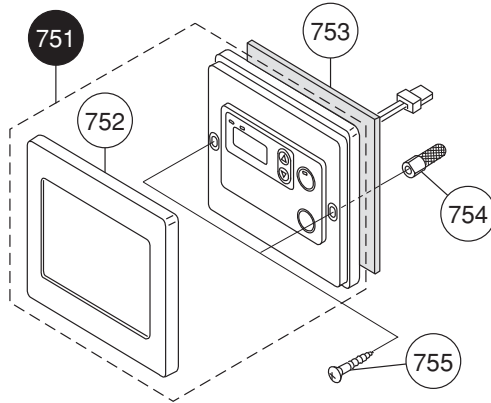
## Electronic control unit



### Optional

Remote controller  
RC-7649M-USA

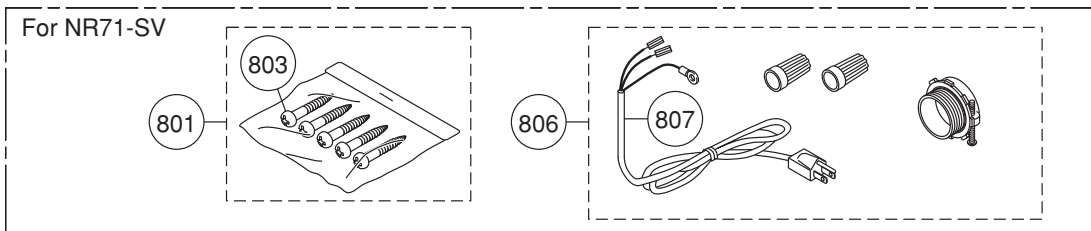
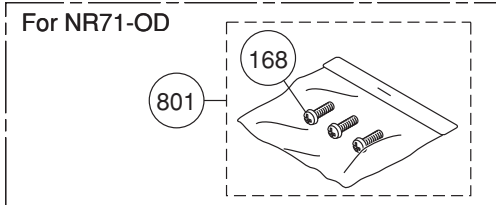
(Temperature: °F Expression  
Water Volume: Gallon Expression)



RC-7650M-ENG (For Canada)

(Temperature: °C Expression  
Water Volume: Liter Expression)

## Attached set



<Special part>

Special part	Special part no.
Owner's guide	888
Installation manual	889

※ To request a French version of the Owner's guide or Installation manual, contact Noritz America.

## Electronic control unit, Remote controller and Attached set NR71-OD,NR71-SV

Part Nos.	Part Names	Order Nos.	Q'ty/unit
700	Relay case EMW-B SET-AS	SHB7007	1
701	Relay case cover EJB	EJB003	1
705	Harness W EMW	EMWJ012	1<NR71-OD>
	Harness H EMW	EMWJ002	1<NR71-SV>
707	Lightning protection ELV	ELVJ101	1
708	Mounting plate for current leakage safety device SET EJB	EJBA016	1
711	Transformer EDN	EDNJ006	1
712	Transformer cover DJP	DJPA054	1
715	Insulation packing DTJ	DTJL008	1
716	Mounting plate for a combustion lamp EMW	EMWA009	1
717	Lamp cable conduit CRP	CRPJ014	1
731	Cross recessed bind machine screw M3.5X6		
751	RC-7649M body USA QME	QMEJ007	1
	RC-7650M body ENG QXU	QXUJ003	1<For Canada>
752	M Dressed frame body QME	QMEA003	1
753	Wall packing QHU	QHUA115	1
754	Oar plug 6X25		
755	Cross recessed round wood screw 4.1X25		
800	N-0631S packing set V	SKC7546	1
	Gas type label LP for packaging ESC	ESCK008	1<LP>
801	PS3 Screw SET	SAB2286	1<NR71-OD>
	Screw SET(W)	SAB2753	1<NR71-SV>
803	Cross recessed round-head type 1 tapping screw 5X35		<NR71-SV>
806	Power supply cord US SET ESC	ESCM001	1<NR71-SV>
807	Power cord ESC	ESCJ001	1<NR71-SV>
888	Owner's guide GQ2037/2437WS US	SBA8344	1
889	Installation manual GQ2037/2437WS US	SBA8345	1