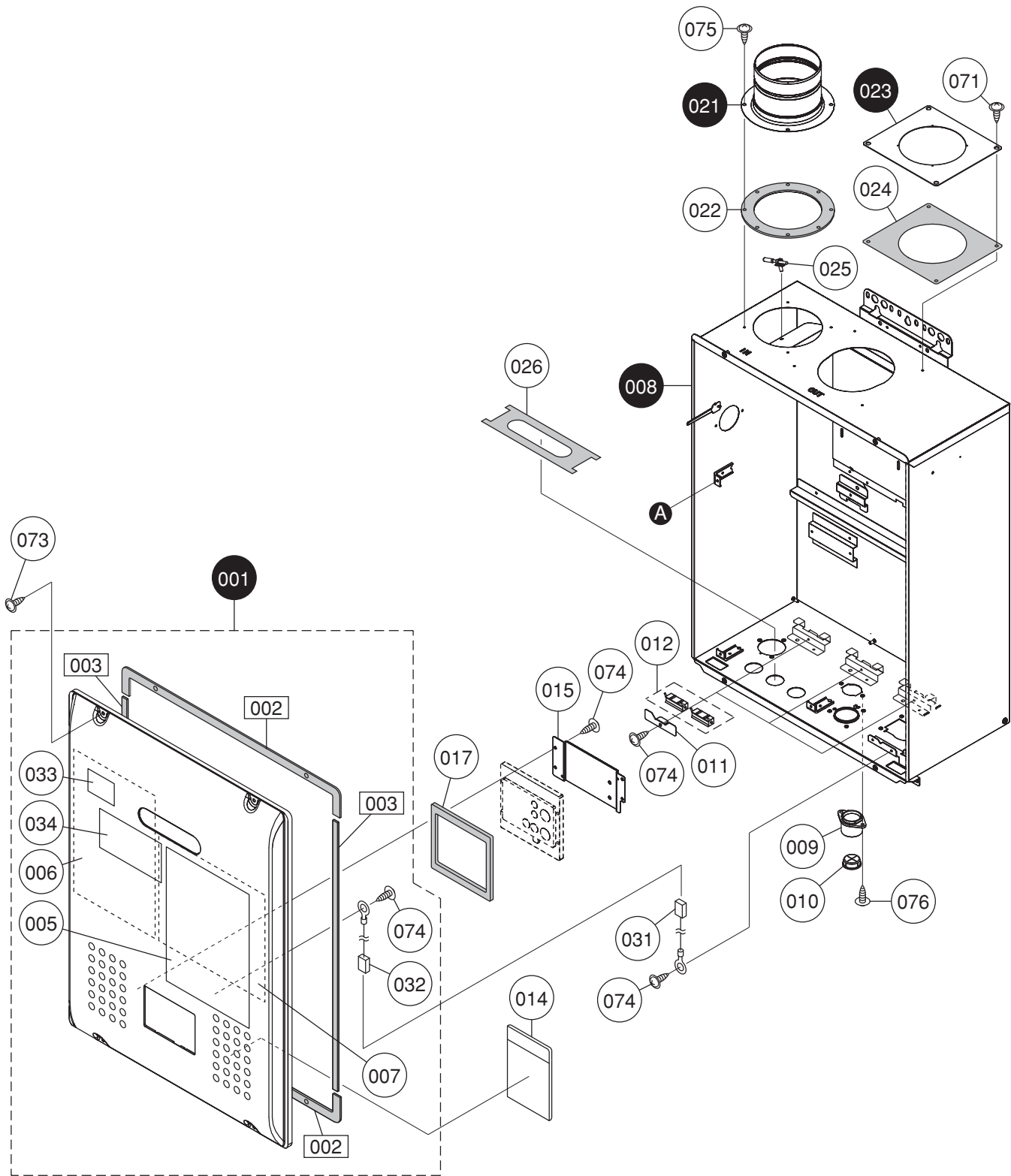
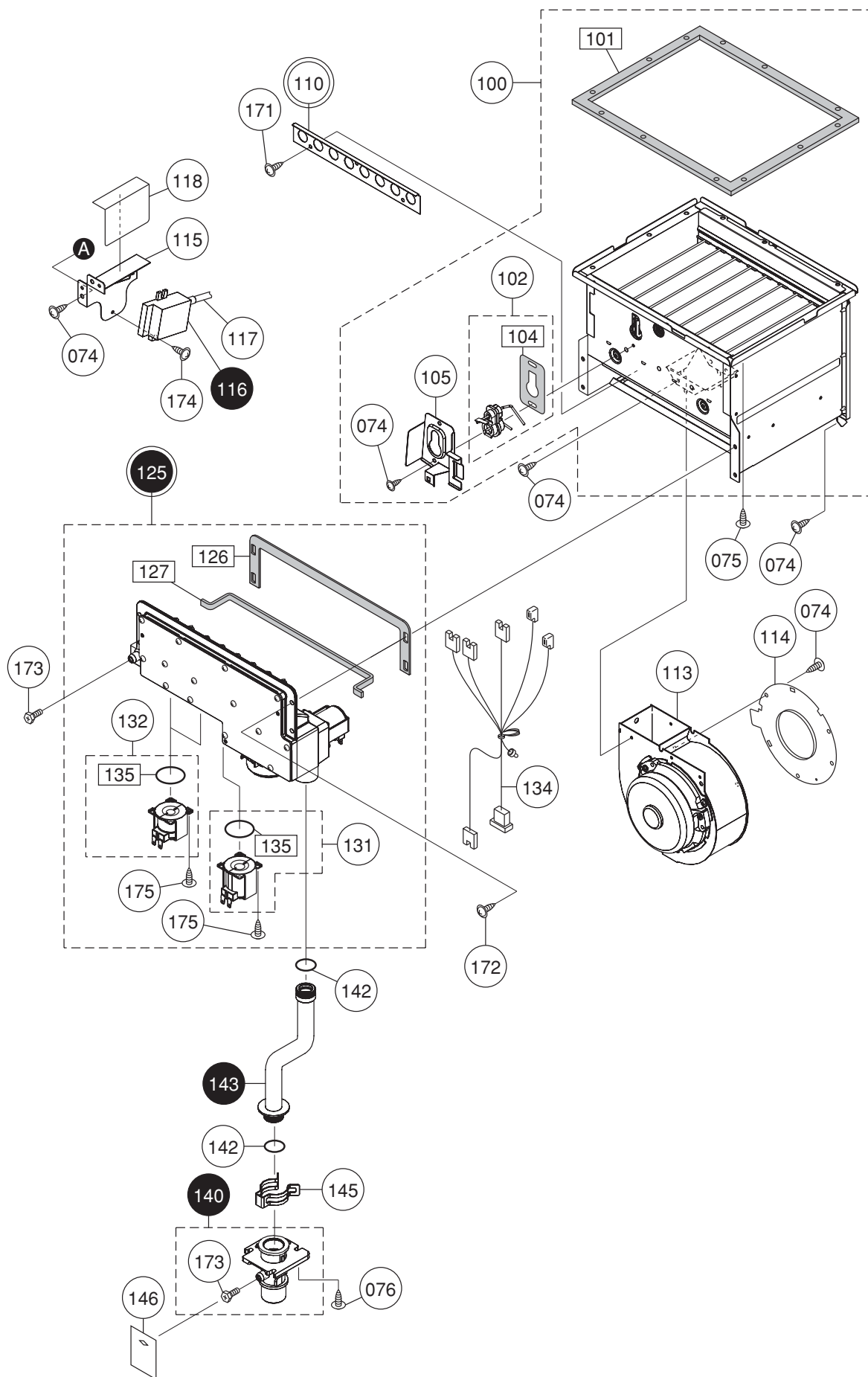


# External outfitting NH199-DV,NH150-DV



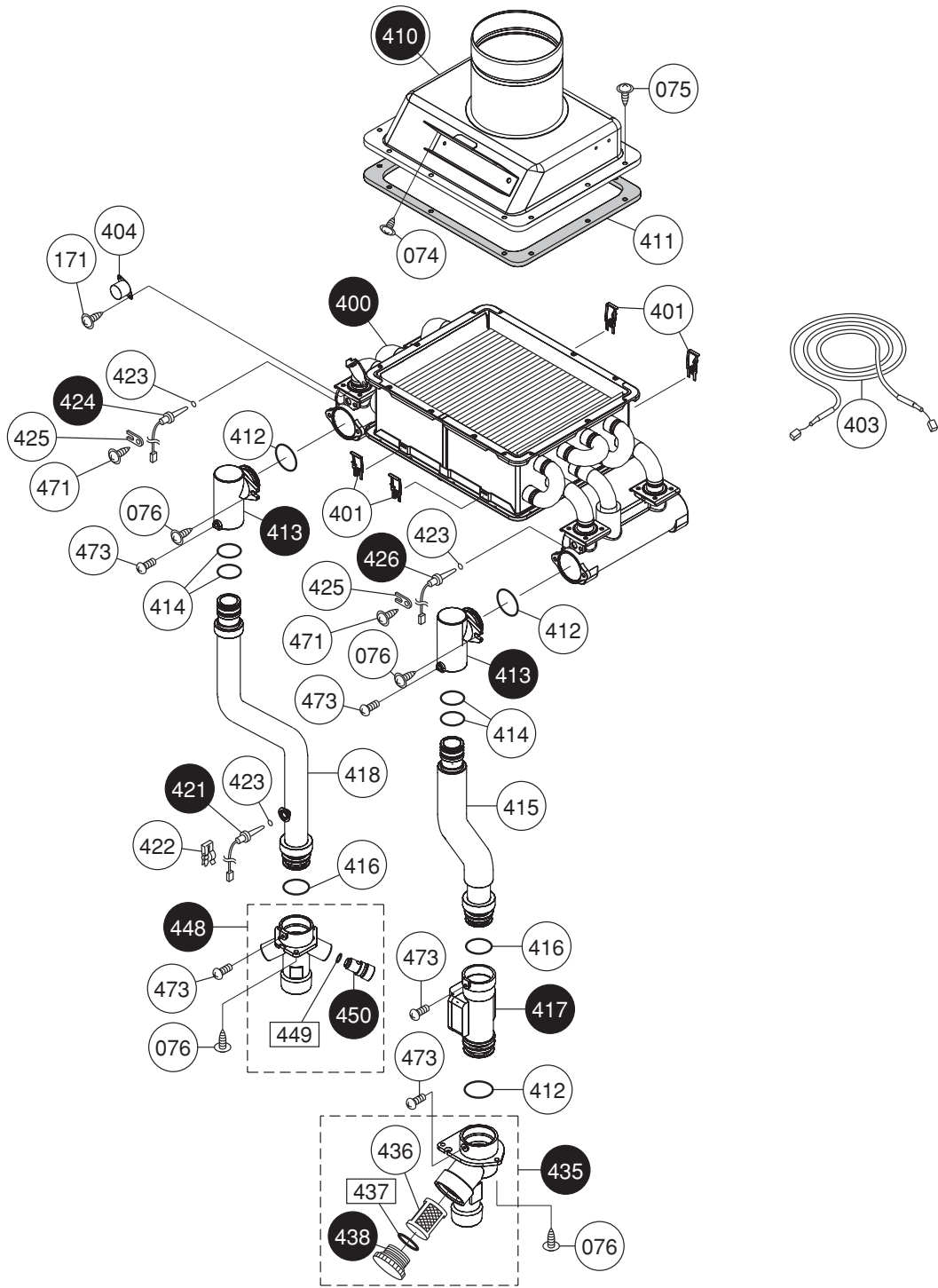


# Combustion unit and gas route NH199-DV,NH150-DV

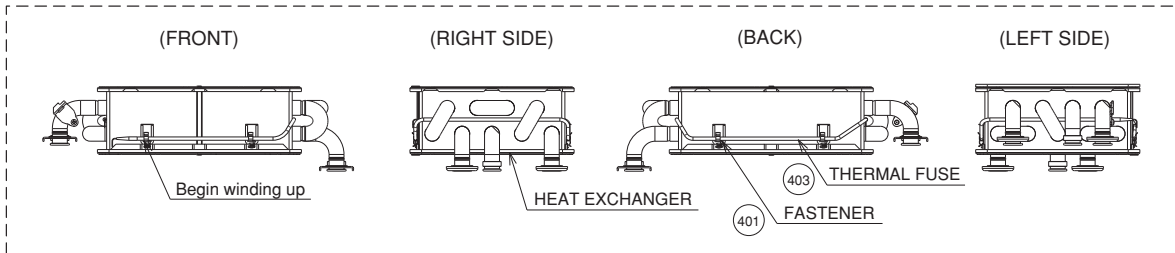




# Hot-water feed route NH199-DV,NH150-DV



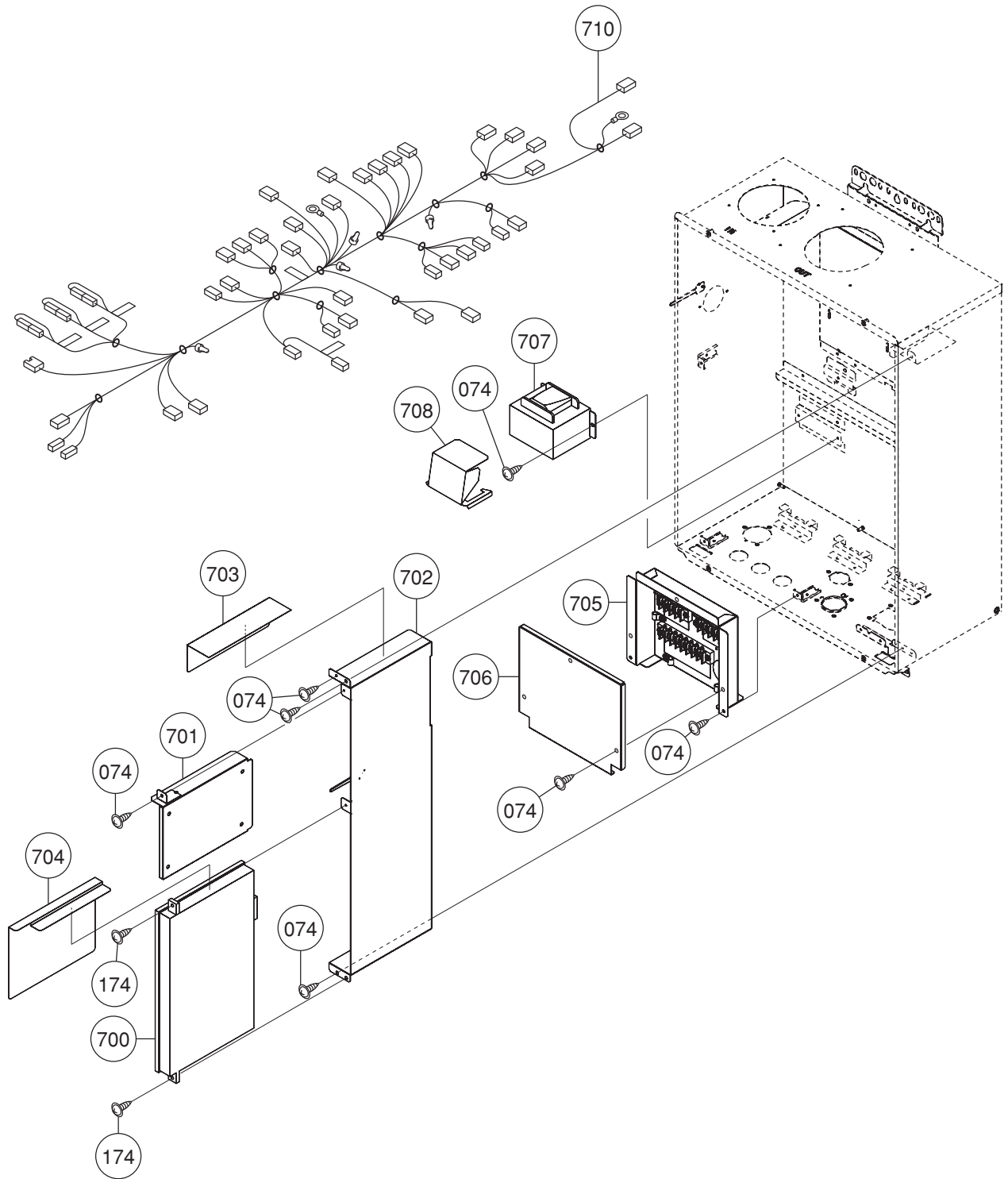
(Thermal fuse rounding procedure)



# Hot-water feed route NH199-DV,NH150-DV

Part Nos.	Part Names	Order Nos.	Q'ty/unit
400	Heat exchanger header SET EMM SET-AS	SKC7460	1
401	Thermal fuse fastener EGL	EGLH002	4
403	Thermal fuse DTX label EMK SET-V	SKC7466	1
404	Remaining flame safety device105 EMM	EMMH001	1
410	Exhaust box SET EMM	EMMF001	1<LP>
	Exhaust box SET for NGA EMM	EMMF011	1<NG>
411	Exhaust joint packing EMM	EMML001	1
412	O-ring P28C(M)	SAC2037	3
413	Header coupling EMM	EMMD019	2
414	O-ring P22C(M)	SAC2035	4
415	Water inlet pipe SET EMM	EMMD011	1
416	O-ring P24C(M)	SAC2036	3
417	Water flow switch SET EMM	EMMD005	1
418	Hot-water feed pipe SET EMM	EMMD015	1
421	Hot-water thermistor-300 BWC	BWCD096	1
422	Senser fastener DTJ CRU	CRUD055	1
423	O-ring P4C(M)	SAC2033	3
424	Heat exchanger thermistor-300 BWC	BWCD098	1
425	Thermistor holding plate ALS	ALSD088	2
426	Water inlet thermistor-300 BWC	BWCD097	1
435	Water inlet fitting 25ASET EMM	EMMD035	1
436	Inlet water filter EMM	EMMD041	1
437	O-ring JASO 2030 type 4 C	SAB4190	1
438	Water inlet fitting cover DMA	DMAD037	1
448	Hot-water outlet fitting 25ASET EMM	EMMD033	1
449	Hot-water resistant O-ring P9	SAD6635	1
450	QMF safety valve A(S)	SAA2811	1
471	Cross&straight recessed type3 S TIGHT tapping screw 4X8		
473	Cross recessed round-head machine screw M4X8		

# Electronic control unit NH199-DV,NH150-DV

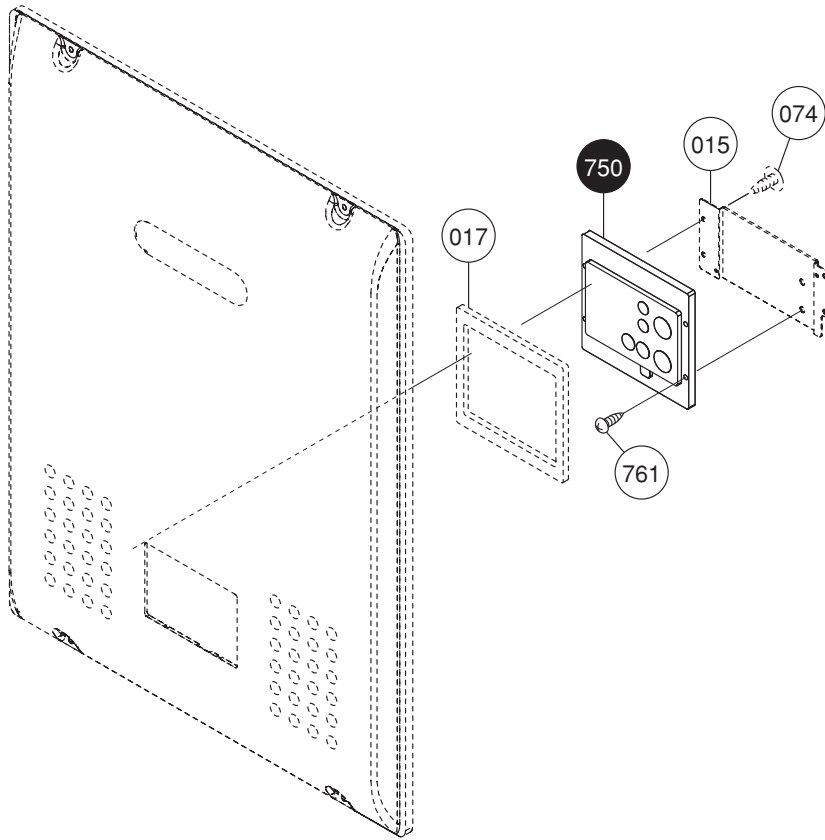




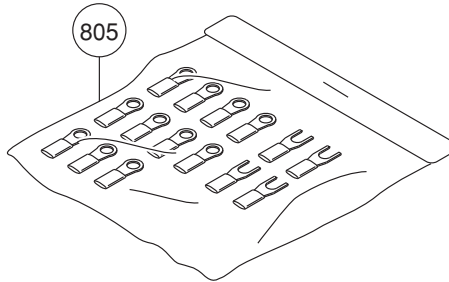
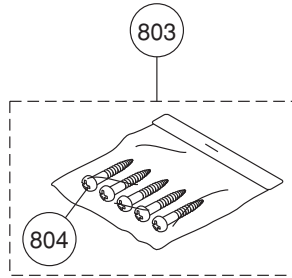
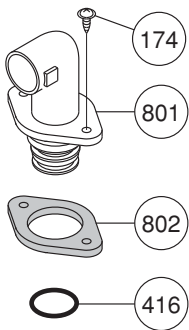


# Remote controller and Attached set NH199-DV,NH150-DV

Remote controller  
(RC-7648M-USA)



## Attached set



<Special part>

Special part	Special part no.
User's information manual	888
Installation and instruction manual	889

