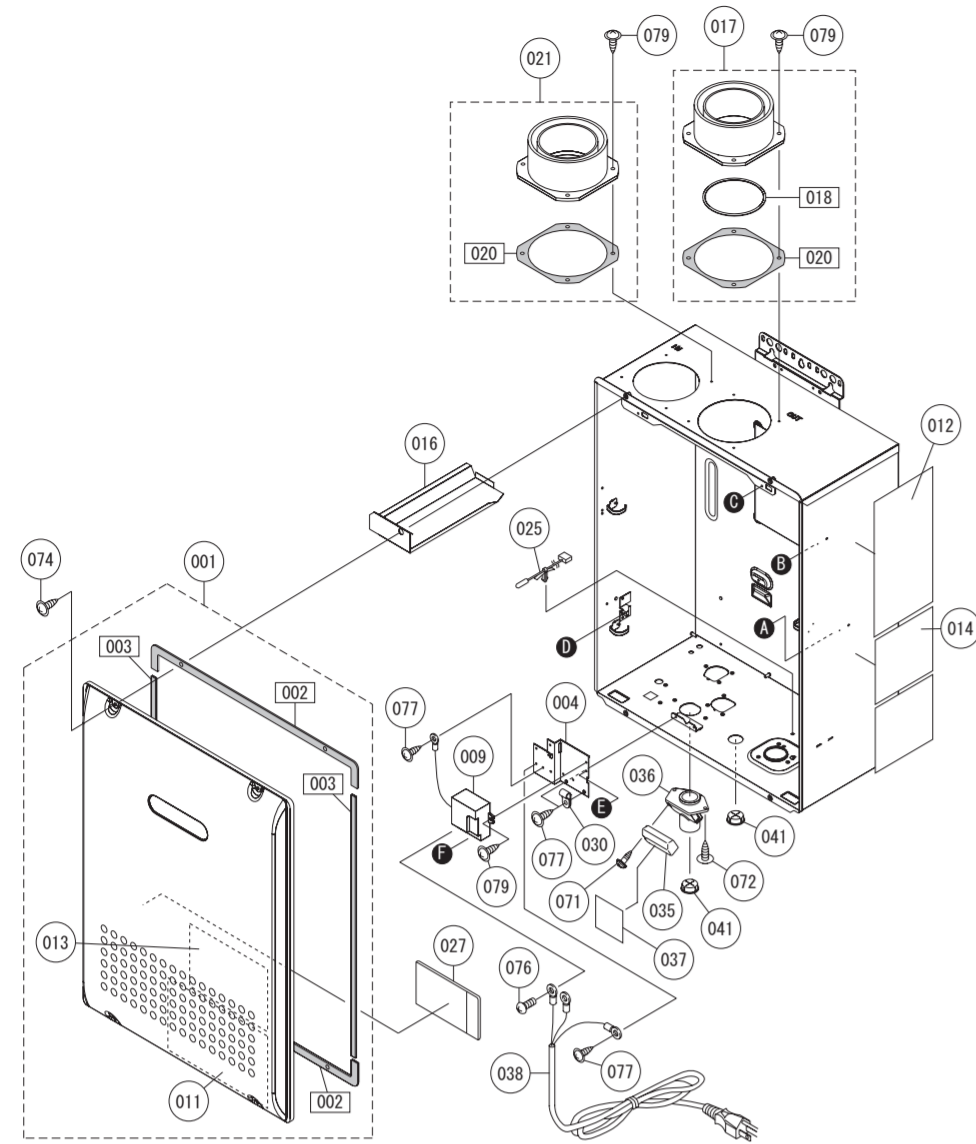


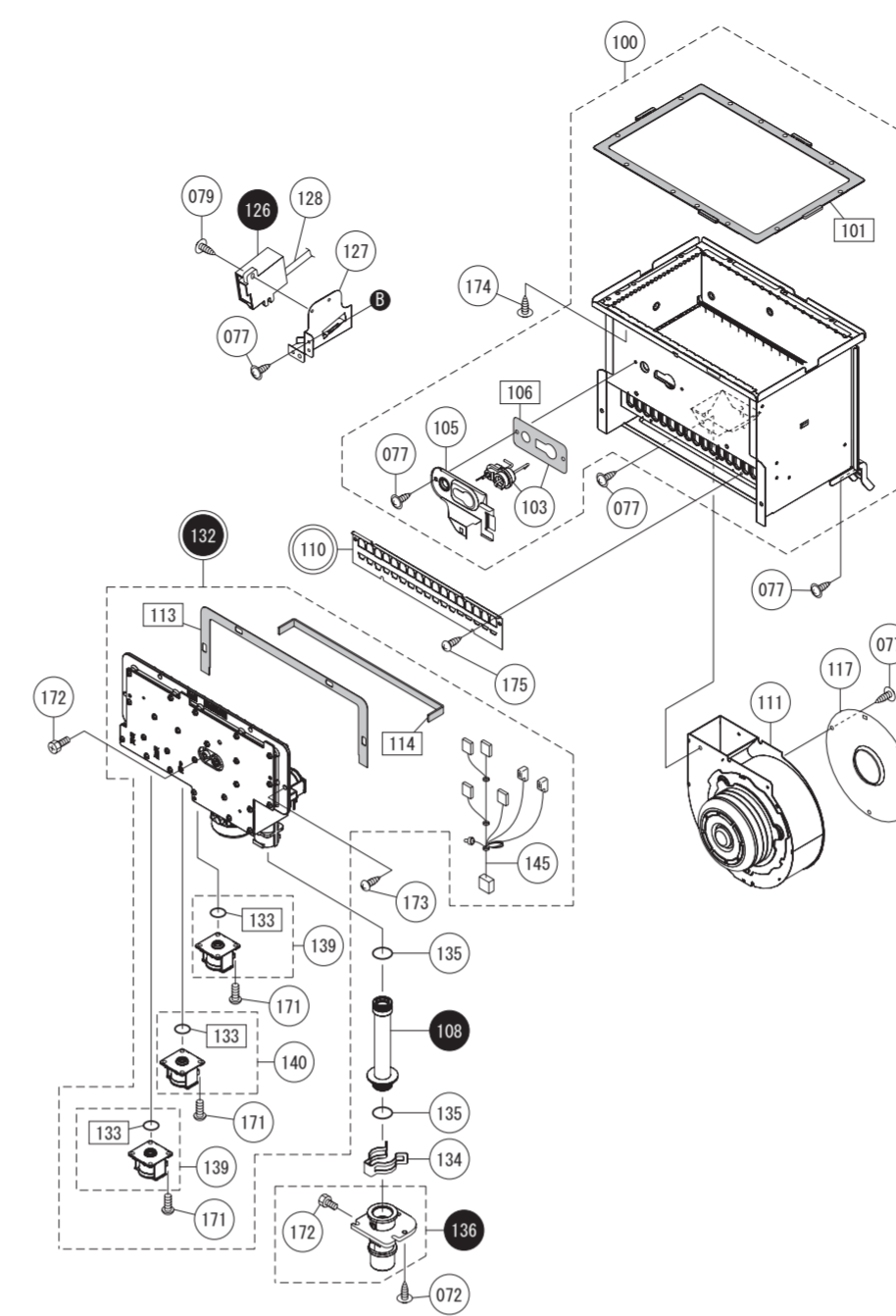
External outfitting NERC98DV (GQ-C2857WS-FF ET US)



External outfitting NERC98DV (GQ-C2857WS-FF ET US)

Part No.	Part Name	Order No.	Q'ty/unit
001	Front Cover - NERC98DV (GQ-C2857WS-FF ET US)	SKJ725	1
002	Gasket - Front Cover Top and Bottom	AAPL015	2
003	Gasket - Front Cover Sides	AAR017	2
004	Mounting Plate - Terminal Block and/or GFCI	DZTA006	1
009	Lightning Protection	ERD011	1
011	Wiring Diagram	EYWK001	1
012	Label - Outside Case Caution Label	EWK003	1
013	Label - Inside Front Cover Caution Label	EYSK006	1
014	Label - Name Plate	EXSK151	1
016	Air intake deflector plate - plastic	ENJA016	1
017	Exhaust Flue w/ O-Ring and Gasket (SET)	ETHF021	1
018	O-Ring - Exhaust Flue Ø92	ETHF025	1
020	Gasket - Exhaust Flue	ETHF024	2
021	Intake Flue w/ Gasket (SET)	ETHF031	1
025	Thermistor - Air	BWCH003	1
027	Parts List/Technical sheet	EYWK143	1
030	Wire Clamp - Nylon #4	7287909	1
035	Cover - External Remote Terminal Block	DNSA025	1
036	External Remote Terminal Block	DNSA026	1
037	Label - Remote Terminal Caution Label	ENLW002	1
038	Power Supply Cord	ERD013	1
041	Wire Grommet - Rubber	CXPA026	2
071	Screw - Remote Terminal Cover M4X12 S410		
072	Screw - Long Machine M4X12 S410		
074	Screw - Front Cover with washer M4X12 S410		
076	Screw - GFCI NO. 5X6 S430		
077	Screw - Short Tapping M4X8 S410		
079	Screw - Long Tapping M4X12 S410		

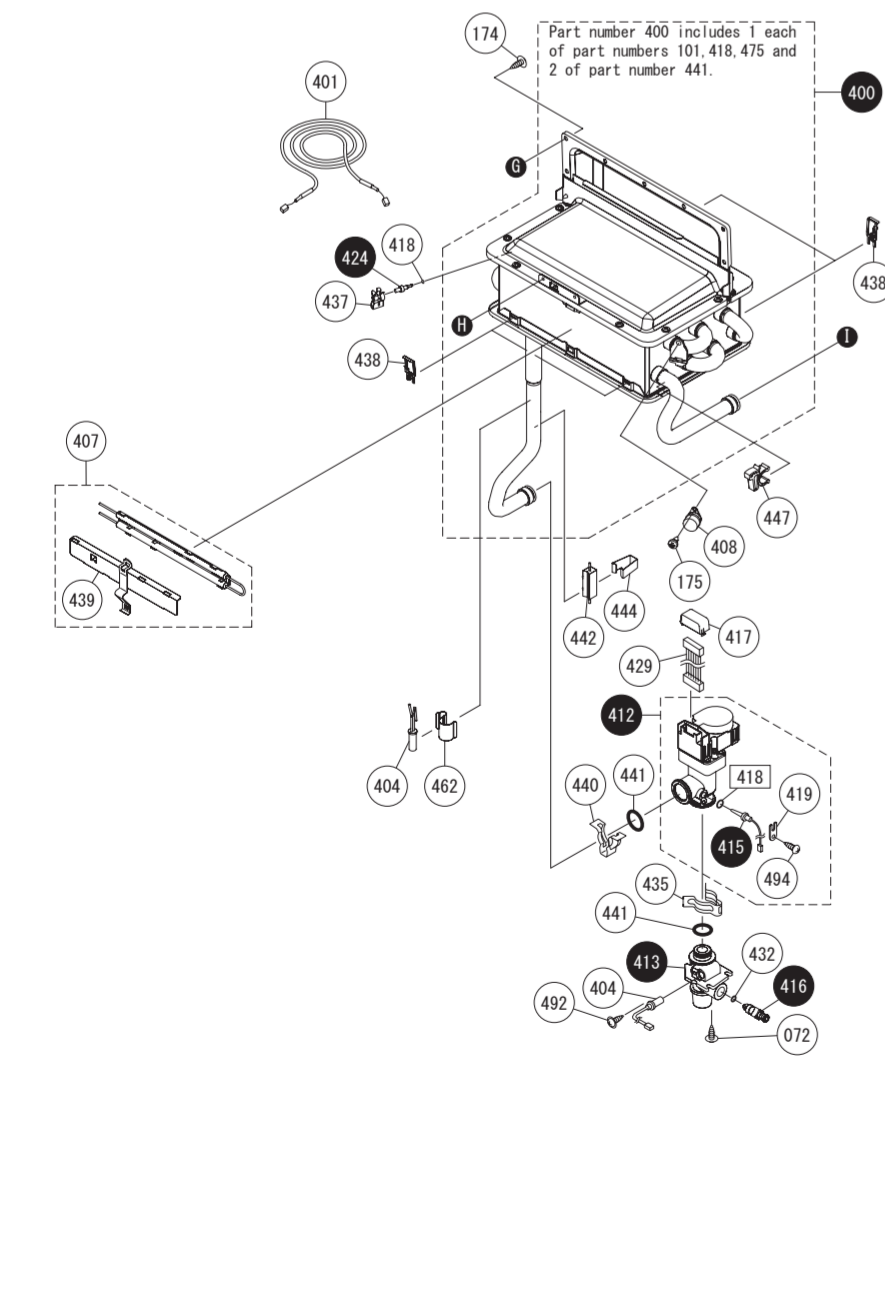
Combustion unit and gas route NERC98DV (GQ-C2857WS-FF ET US)



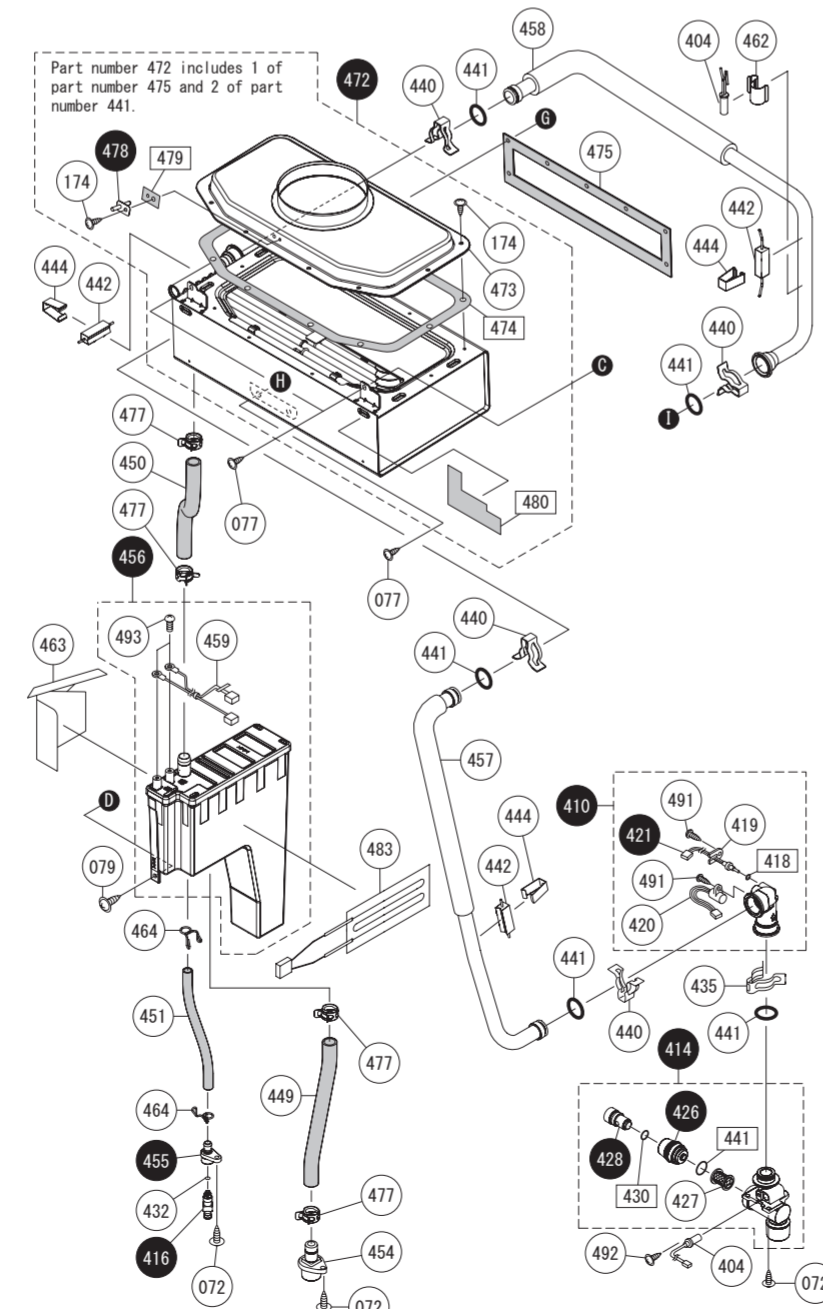
Combustion unit and gas route NERC98DV (GQ-C2857WS-FF ET US)

Part No.	Part Name	Order No.	Q'ty/unit
100	Burner w/ Gasket and Ignition Plug (SET)	SKG7858	1
101	Gasket - Burner	ERDL011	1
103	Ignition Plug w/ Gasket	SKG7311	1
105	Mounting Plate - Ignition Plug	EGL0014	1
106	Gasket - Ignition Plug	ERDL001	1
108	Gas Pipe	ETHF001	1
110	Burner Damper 17-16	EFW0036	1(LP)
	Burner Damper 17-12	EFW0032	1(NG)
111	Fan Motor w/ Housing	SKD7441	1
113	Gasket - Manifold Plate Top	ERDL007	1
114	Gasket - Manifold Plate Bottom	ERDL009	1
117	Fan Plate Ø40	EHKE424	1
126	Igniter	ERDJ112	1
127	Mounting Plate - Igniter	D1JA015	1
128	High Voltage Igniter Wire	SAC1229	1
132	Gas Valve w/ Manifold Plate 16 (SET)	SKG7860	1(LP)
	Gas Valve w/ Manifold Plate 26 (SET)	SKG7024	1(NG)
133	O-Ring - Gas Solenoid	SAA6044	3
134	"C" Clamp - Gas Pipe 16Ø	SA6067	1
135	O-Ring - P18	2110903	2
136	Inlet Gas Connection w/ Screw (SET)	ELVE021	1
139	Gas Manifold Solenoid 1	SKG7315	2
140	Gas Manifold Solenoid 2	SKG7316	1
145	Wiring Harness - Gas Valve	ERDJ015	1
171	Screw - Machine w/ guide M4X12		
172	Screw - Inlet and Manifold Gas M4X8	SA6082	2
173	Screw - Large Manifold Plate M5X16 S410		
175	Screw - Small Tapping w/o collar M4X8 S410		

Hot-water feed route 1 NERC98DV (GQ-C2857WS-FF ET US)



Hot-water feed route 2 NERC98DV (GQ-C2857WS-FF ET US)

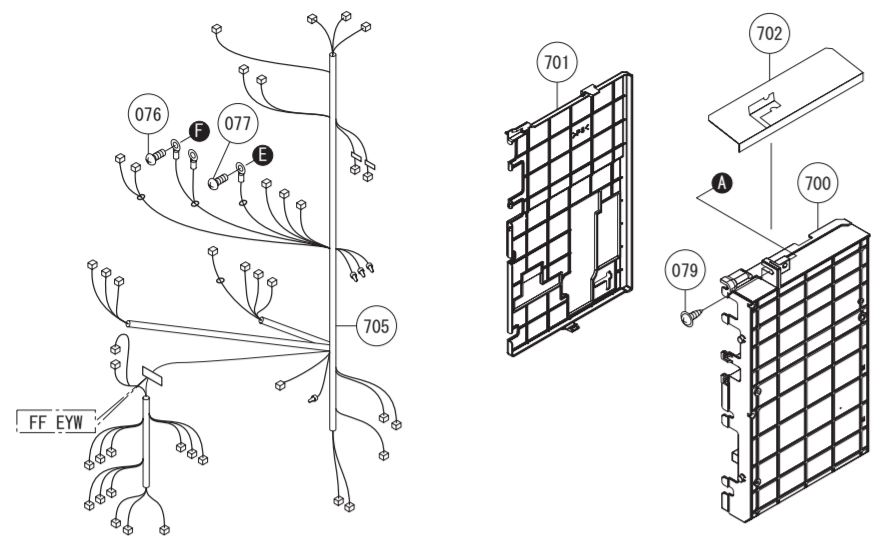


Hot-water feed route NERC98DV (GQ-C2857WS-FF ET US)

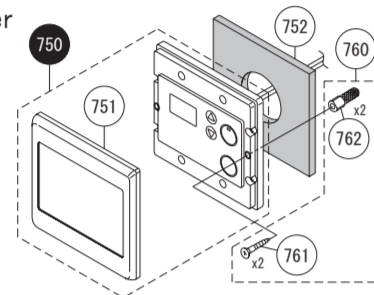
Part No.	Part Name	Order No.	Q'ty/unit
400	Heat Exchanger Kit (DV) (SET)	SKJ7225	1
401	Thermal Fuse	SKG7863	1
404	Freeze Prevention Heater - Round Short	ERD0003	4
407	Freeze Prevention Heater - Double Round (SET)	SKG7317	1
408	High Limit Switch - 201	ELH0002	1
410	Water Flow Sensor (SET)	ERD0011	1
412	Water Servo - Main (SET)	JWD0001	1
413	Outlet Water Connection	EHD0004	1
414	Inlet Water Connection (SET)	ETH0001	1
415	Thermistor - White - M64	BWCH006	1
416	Drain Cock	CRD0003	2
417	Wire Cover - Servo	EBT0023	1
418	O-Ring - Thermistor High Temp P4	1323709	3
419	Thermistor Holding Plate	AL30588	2
420	Magnetic Sensor - Flow Sensor	BW30090	1
421	Thermistor - White - 063	BW30097	1
424	Thermistor - White - 064	BW30098	1
426	Water Filter Cap	ETH0006	1
427	Water Filter	EGD0032	1
428	Safety Relief Valve	SAK2811	1
429	Wiring Harness - Main Water Servo	JBG0024	1
430	O-Ring - High Temp P9	SAD6635	1
432	O-Ring - High Temp P3	SAD6633	2
435	"C" Clamp - Water Pipe 16Ø	SA60300	2
437	"C" Clamp - Thermistor	CRD0055	1
438	Clamp - Thermal Fuse	EGLH002	4
439	Clamp - Freeze Prevention	ERD0011	1
440	"C" Clamp - Water Pipe 16-25	SAD6553	5
441	O-Ring - High Temp P16	3223302	8
442	Freeze Prevention Heater - Rectangle	ERD0002	4
444	Clamp - Freeze Prevention	AMML001	4
447	Clamp - Harness	SAB2775	1
449	Drain Hose - Condensate	ETHF051	1
450	Drain Hose - SS HEX	ETHF052	1
451	Drain Hose - Container	ETHF053	1
454	Drain Connection - Condensate	EPHF001	1
455	Drain Connection - Neutralizer / Condensate Container	EMF309	1
456	Condensate Container (SET)	SKG7864	1
457	Pipe - Flow Sensor to SS Heat Exchanger	ETH0001	1
458	Pipe - Heat Exchanger SS to CU	ETH0007	1
459	Wiring Harness - Water Level Electrode	ENLJ001	1
462	Clamp - Freeze Prevention	ETH0003	2
463	Cover - Condensate Container	ETHA004	1
464	Clamp - Container Hose Ø8	DEG0004	2
472	Heat Exchanger Kit - Secondary SS (DV) (SET)	SKG7865	1
473	Exhaust Box	ETPF101	1
474	Gasket - Exhaust Box	ETPL001	1
475	Gasket - Secondary Heat Exchanger	ETHE003	1
477	Clamp - Condensate Hose NO.35	SAD6670	4
478	Thermistor - Exhaust	ETH0002	1
479	Gasket - Exhaust Thermistor	ETRL004	1
480	Packing - Exhaust Thermistor	ETRL006	1
491	Screw - Round Head Medium Tapping M4X10 S305		
492	Screw - Short Machined M4X8 S410		
493	Screw - Small Tapping M4X20		
494	Screw - Round Head Medium Tapping M4X10 S410		

Electronic control unit, Remote controller and Attached set
NERC98DV (GQ-C2857WS-FF ET US)

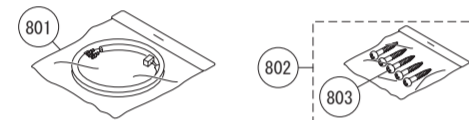
Electronic control unit



Remote controller
RC-7651M-ENG



Attached set



Special part	Special part no.
Owner's guide	888
Installation manual	889

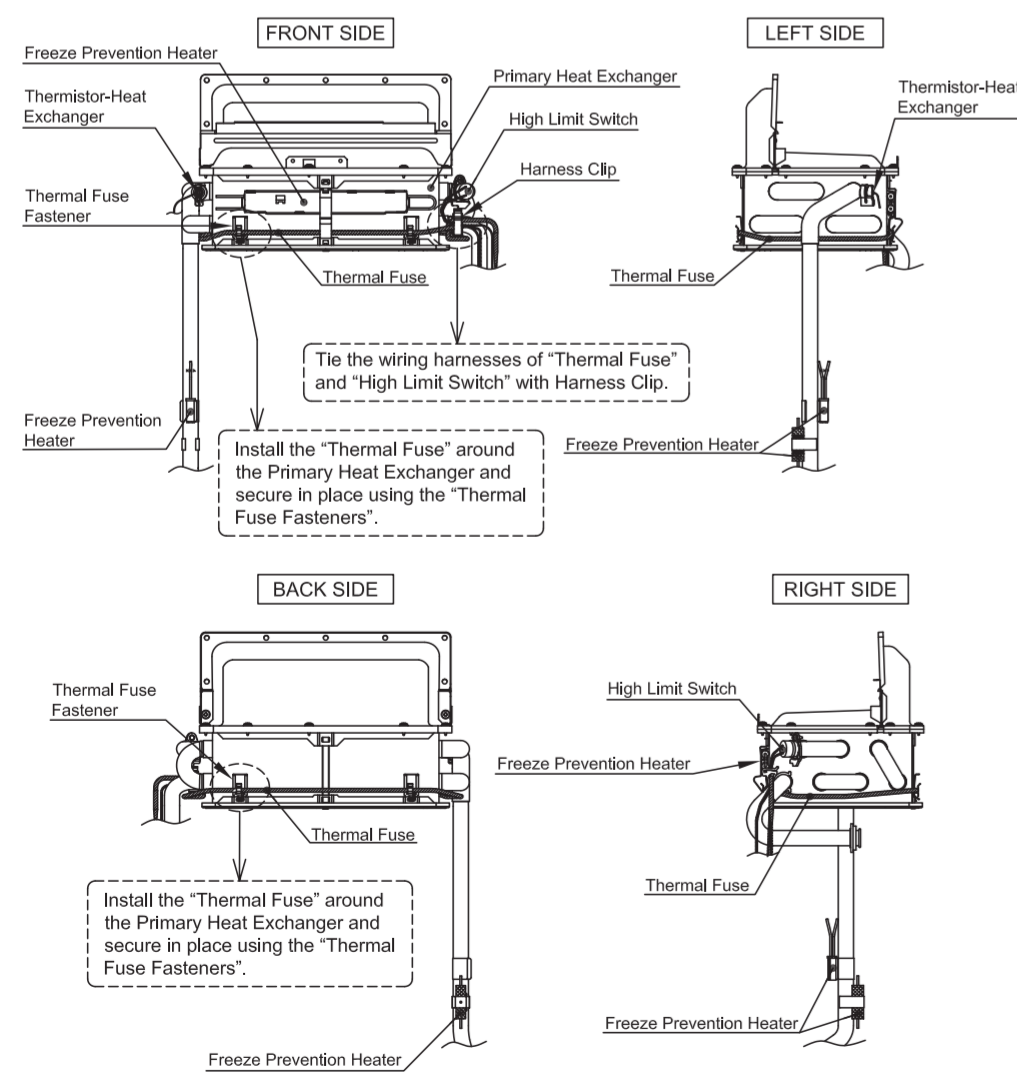
※ To request a French version of the Owner's guide or Installation manual, contact Noritz America.

Electronic control unit, Remote controller and Attached set
NERC98DV (GQ-C2857WS-FF ET US)

Part No.	Part Name	Order No.	Q'ty/unit
700	Circuit Board	SND71L5	1
701	Cover - Circuit Board	ESDJK08	1
702	Cover - Circuit Board Water Resistant	ETHA023	1
705	Wiring Harness - NRC98DV (GQ-C2857WS-FF US)	EYKJ021	1
750	Remote Controller - RC-7651M (SET)	QJLJ017	1
751	Cover - Remote	QNEA003	1
752	Mounting Packing - Remote	QJUA115	1
760	Screw Package - Remote(SET)	QJUA100	1
761	Screw - Round Head Wood #4 1/2x5 S305		
762	Dry Wall Anchors#125		
800	Box - GQ-C3257WX-FF ET US	SKJ7277	1
801	Remote Cord - 6ft	ETHM001	1
802	Wood Screw set5	SAF6007	1
803	Screw - Round Head Wood #4 9/32 S305	SAB2296	1
	Screw - Mounting Machine #5X12 S430		
888	Owner's Guide	SB8818C	1
889	Installation Manual - NERC98DV (GQ-C2857WS-FF ET US)	SB8818D	1

«Thermal Fuse Replacement Procedure»

Move the "Freeze Prevention Heaters", "Thermal Fuse Fasteners", "High Limit Switch", "Thermistor-Heat Exchanger", and "Harness Clip" from the old Primary Heat Exchanger to the new one.
(See 4 side view pictures below for location of each part.)



Procedure for Flushing the Heat Exchanger

This procedure is only intended for use by a qualified service professional or authorized Noritz Service Representative. Any unauthorized use of this procedure may result in voiding the warranty. Please contact Noritz America (866-766-7489) for additional support.

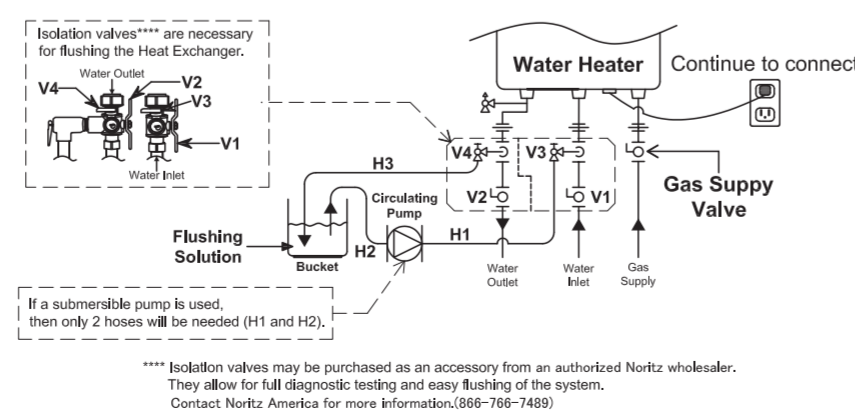
If the error code "C*#"-C*#" is flashing on the Remote Controller (or Operation Panel**), it means there is Scale Build-up in the Heat Exchanger. The Heat Exchanger needs to be flushed*** to remove the Scale Build-up.
Damage to the water heater due to Scale Build-up is not covered by the water heater's warranty. To clear the error code "C*#"-C*#", the Heat Exchanger must be flushed.
If the error code "C*#" is displayed and flashing on the Remote Controller (or Operation Panel**), please contact Noritz America (866-766-7489).
** = 1, 2, 3, 4, F / # = 0, 1, 2, 3, 4, 5, 6, 7, 8, 9
** NR98DVC(GQ-2857WX-FFA US) and NR83DVC(GO-2457WS-FFA US) only.
*** Connect the "blue connector for flushing" near the Circuit Board when flushing the Heat Exchanger. After connecting it, the water heater is set to "Flushing Mode".

The water heater must remain connected to electrical power when flushing the Heat Exchanger.

Basic Procedure

«Procedure 1. The preparation of the flushing system»

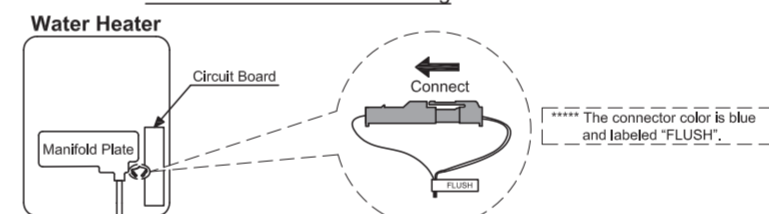
1. Close the gas supply valve.
2. Close the water Inlet valve (V1) and the water outlet valve (V2).
3. Connect the one drain hose (H1) to the drain valve (V3), and then the other to the circulating pump.
4. Connect the drain hose (H2) to the circulating pump.
5. Connect the drain hose (H3) to the drain valve (V4).
6. Pour 1 gallon of "Calcium, Lime and Rust Removal Product" and 1 gallon water into the bucket. Noritz recommends "Calcium, Lime and Rust Removal Product" for flushing.
7. Place the both drain hoses (H2 and H3) into the bucket filled with the flushing solution.
8. Open the both drain valves (V3 and V4).



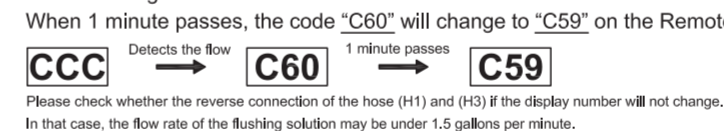
next page

«Procedure 2. Flushing the Heat Exchanger»

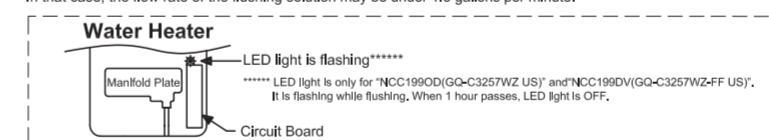
1. Open the Front Cover.
2. Connect the "blue connector***** for flushing" near the Circuit Board.



3. Then the code "CCC" is displayed on the Remote Controller.
4. Turn on the circulating pump to circulate the flushing solution through the water heater for 1 hour at a rate of 1.5 gallons per minute or more.
5. The code "C60" is displayed on the Remote Controller when the water heater detects the flow of the flushing solution.



Please check whether the reverse connection of the hose (H1) and (H3) if the display number will not change. In that case, the flow rate of the flushing solution may be under 1.5 gallons per minute.

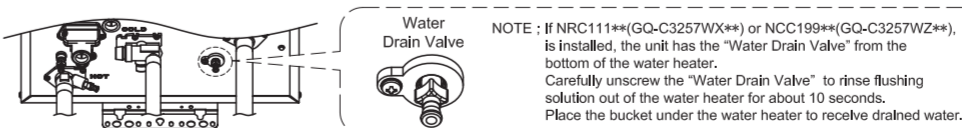


6. When 1 hour passes, the code "C00" is flashing on the Remote Controller. Do not disconnect the "blue connector for flushing".
7. Turn off the circulating pump.

«Procedure 3. Cleaning the Heat Exchanger»

The flushing solution needs to be rinsed and cleaned out of the water heater. Below is the way to rinse and clean the flushing solution.

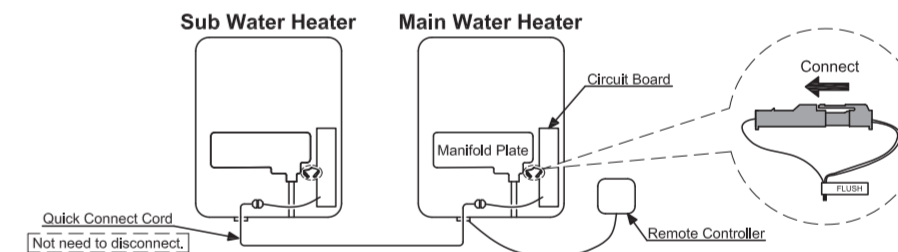
1. Remove both drain hoses (H2 and H3) from the bucket. And then place the drain hose (H3) into the sink or outside to drain.
2. Close the drain valve (V3) and then open the water inlet valve (V1). Do not open the fresh water outlet valve (V2).
3. Clean the water heater with fresh water for 3 minutes or more. (Needs to have enough time to clean the water heater.)



4. Close the drain valve (V4) and then remove the drain hose (H3) from the drain valve (V4).
5. Remove the drain hose (H1) from the drain valve (V3).
6. Disconnect the "blue connector for flushing" near the Circuit Board. The code "C00" goes out on the Remote Controller.
7. Close the Front Cover.
8. Open the gas supply valve and water outlet valve (V2).
9. Check for correct operation of the water heater.

In case of the "Quick Connect Multi System Procedure"

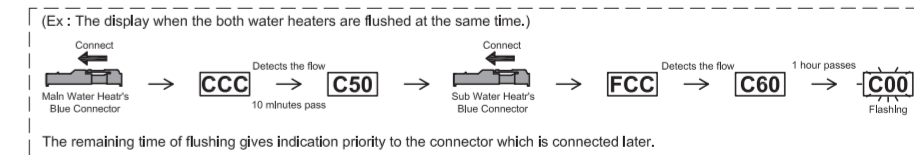
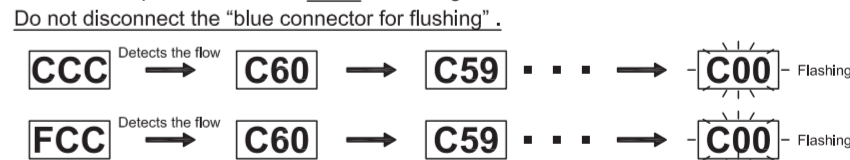
1. Connect the "blue connector for flushing" of need to be flushed. (The water heater is isolated from Quick Connect Multi system when the "blue connector for flushing" is connected. Not need to disconnect the Quick Connect Cord.)



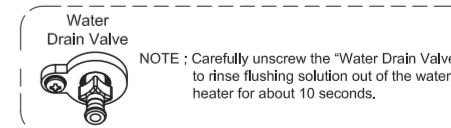
2. Then the code "CCC" or "FCC" is displayed on the Remote Controller.

CCC is displayed when the Main Water Heater's blue connector is connected.
FCC is displayed when the Sub Water Heater's blue connector is connected.

2. Turn on the circulating pump to circulate the flushing solution through the water heater for 1 hour at a rate of 1.5 gallons per minute or more. (LED light is flashing while flushing the heat exchanger. See the "Procedure 2.5".)
3. When 1 hour passes, the code "C00" is flashing on the Remote Controller. Do not disconnect the "blue connector for flushing".



4. Turn off the circulation pump.
5. Rinse and clean the flushing solution out of the water heater in accordance with "Procedure 3". (See the "Procedure 3.1-3.5".)



6. Disconnect the "blue connector for flushing". The Code "C00" goes out on the Remote Controller.
7. Close the Front Cover.
8. Open the gas supply valve and water outlet valve.
9. Check for correct operation of the water heater.

See the Installation Manual in case of the "Multi System's Flushing Procedure".

Please contact Noritz America if more information is needed for flushing. (Phone #: 866-766-7489)