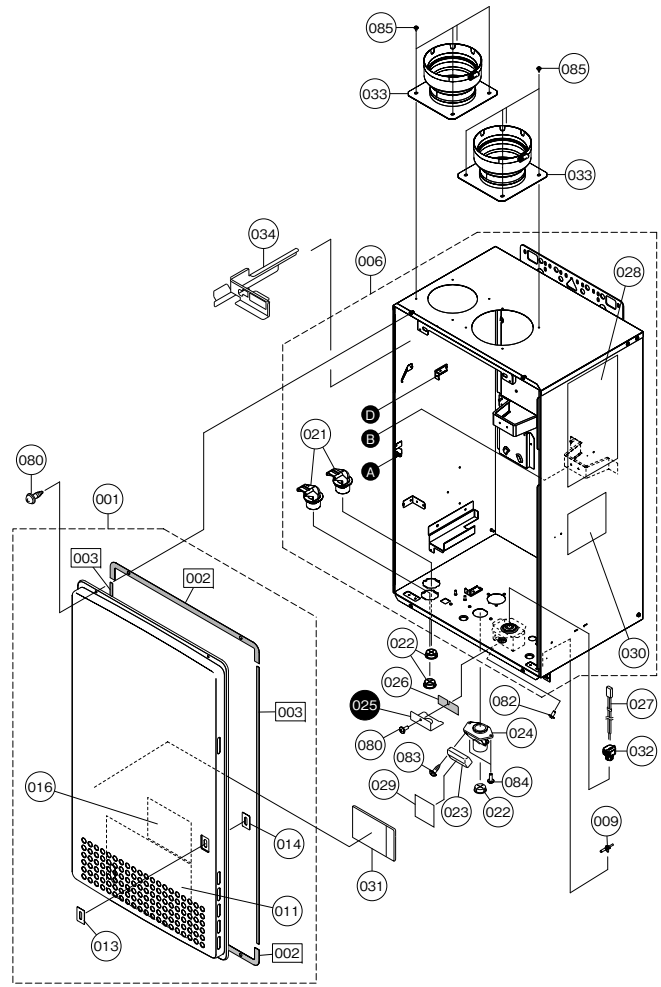
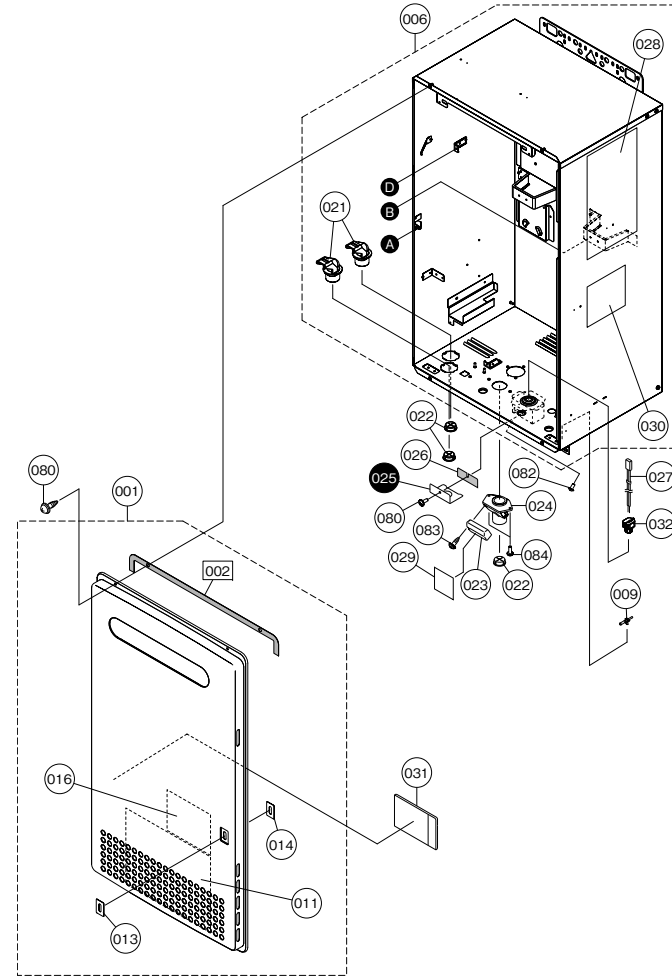


External outfitting NCC300DV(GQ-C5032WZ-US)



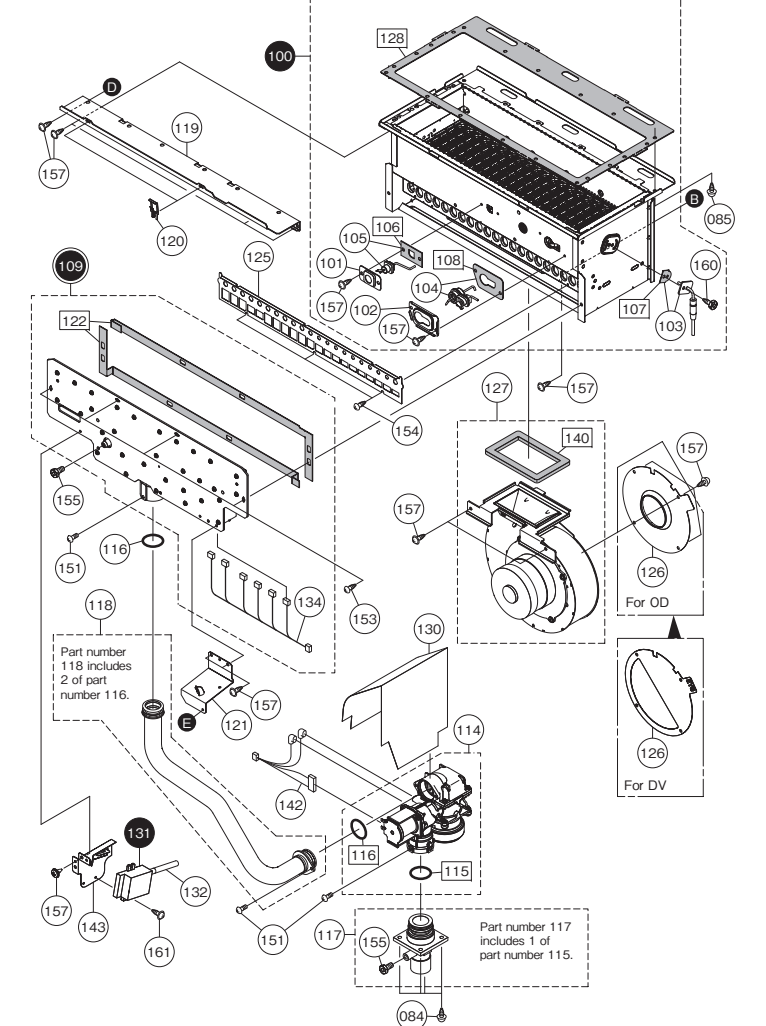
External outfitting NCC3000D(GQ-C5032WZ-US)



External outfitting NCC3000D(GQ-C5032WZ-US)-NCC300DV(GQ-C5032WZ-US)

Part Nos	Part Names	Order Nos	Q'ty/unit
001	Front Cover - GQ-C5032WZ US(SET)	SKJ7266	1<OD>
002	Gasket - Front Cover Top and Bottom	CMNL013	1<OD>
003	Gasket - Front Cover Sides	CMNL013	2<DV>
006	Case - GQ-C5032WZ US(SET)	EYD020	1<OD>
009	Thermistor - Air	SKJ7281	1<DV>
011	Wiring Diagram	BWCH003	1
013	Sight Glass Window	EYK001	1
014	Label - Sight Glass Window	ENKK002	1
016	Label - Inside Front Cover Caution Label	BUBK004	1
021	Wiring Through Way	ELVK006	2
022	Wire Grommet - Rubber	EGLA026	3
023	Cover - External Remote Terminal Block	CXPA026	1
024	External Remote Terminal Block	DNSA025	1
025	Junction Box Cover	ENJA025	1
026	Gasket - Junction Box Cover	ENWL005	1
027	Inlet Power Wires	ENJ020	1
028	Label - Outside Front Cover Caution Label	ENJK003	1
029	Label - Remote Terminal Caution Label	ENJK002	1
030	Label - Name Plate	EWJK151	1<OD>
031	Label - Name Plate	EXSK151	1<DV>
032	Label - Name Plate	EYK051	1
033	Inlet Power Wire Clip	ETPA073	1
034	Exhaust Flue Adaptor	EYQF014	2<DV>
034	Cover - Freeze Prevention	EYQA021	1<DV>
080	Screw - Front Cover with washer M4X12 S410		
082	Screw - Remote Terminal M4XB S430		
083	Screw - Remote Terminal M4X12 S410		
084	Screw - Long Machine M4X12 S410		
085	Screw - Medium Tapping M4X10 S410		

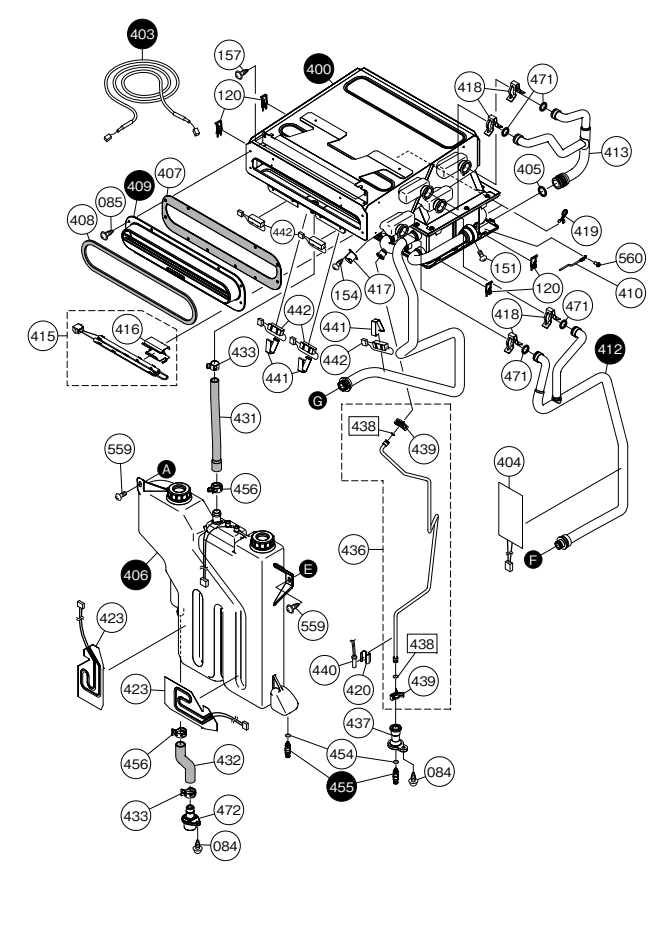
Combustion unit and gas route NCC3000D(GQ-C5032WZ-US)-NCC300DV(GQ-C5032WZ-US)



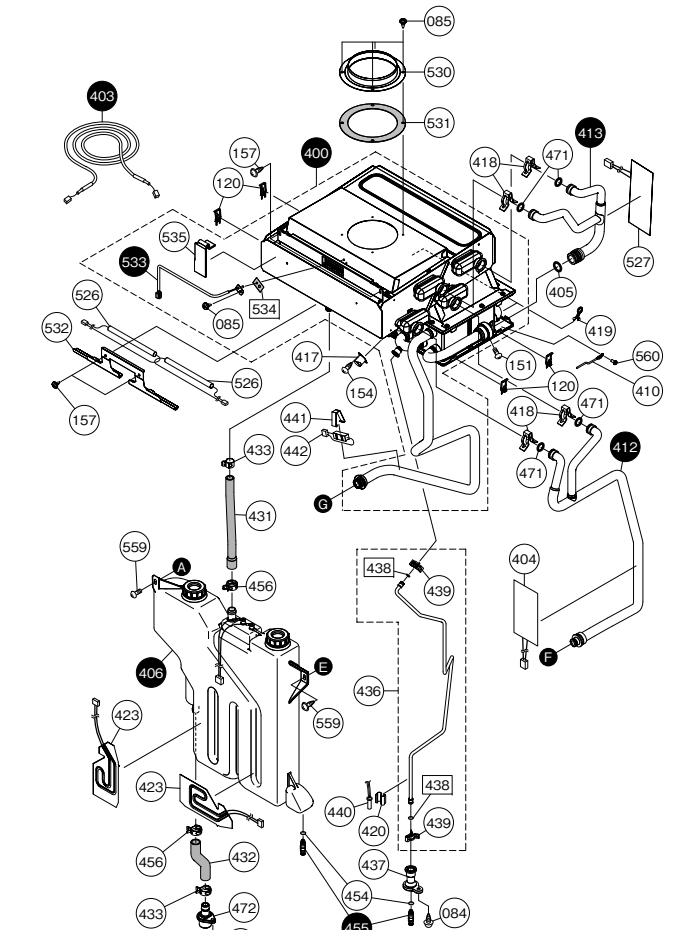
Combustion unit and gas route NCC3000D(GQ-C5032WZ-US)-NCC300DV(GQ-C5032WZ-US)

Part Nos	Part Names	Order Nos	Q'ty/unit
100	Burner w/ Gasket and Ignition Plug (SET)	SKJ71H9	1
101	Mounting Plate - Flame Rod	DJPC012	1
102	Mounting Plate - Ignition Plug	EULC022	1
103	Burner Sensor w/ Gasket	SBD7118	1
104	Ignition Plug w/ Gasket	SKJ71HA	1
105	Flame Rod w/ Gasket	SKJ71XE	1
106	Gasket - Flame Rod	DJPL004	1
107	Gasket - Burner Sensor	DWDL005	1
108	Gasket - Ignition Plug	EULL003	1
109	Manifold Plate 09-14 (SET)	SKJ71HC	1<LP>
114	Gas Valve	SKJ726A	1<NG>
115	O-Ring - Gas Valve and Connection	SKJ71HE	1
116	O-Ring - Gas Pipe P25.5	8590109	1
117	Inlet Gas Connection w/ Screw (SET)	SAB1512	2
118	Gas Pipe (SET)	SKJ7269	1
119	Mounting Plate - Burner Case	SKJ727X	1
120	Clamp - Thermal Fuse	EYDA017	6
121	Mounting Plate - Neutralizer / Condensate Container	EGUH002	1
122	Gasket - Manifold Plate Top	EYDA016	2
125	Burner Damper 21-2	EYD0082	1<LP>
126	Burner Damper 21-6	EYD0085	1<OD NG>
127	Burner Damper 21-5	EYD0085	1<DV NG>
128	Fan Plate	EYLF041	1<OD>
129	Fan Plate	EYQF006	1<DV>
130	Fan Motor w/ Housing	SKJ71H0	1
131	Gasket - Fan Housing	EYD002	1
132	Cover - Gas Valve	DUNVA009	1
133	Igniter	CRPU002	1
134	High Voltage Igniter Wire	ALSJ072	1
140	Wiring Harness - Manifold Plate	EYD016	1
142	Gasket - Fan Housing	EYD015	1
143	Wiring Harness - Gas Valve	EYD013	1
144	Mounting Plate - Igniter	DTJA015	1
151	Screw - Black Set M4XB S430		
153	Screw - Large Manifold Plate M5X16 S410		
154	Screw - Small Tapping w/o collar M4XB S410		
155	Screw - Inlet and Manifold Gas M4XB	SAC6082	2
157	Screw - Short Tapping M4XB S410		
160	Screw - Medium Tapping 4X10 S410		
161	Screw - Long Tapping M4X12 S410		

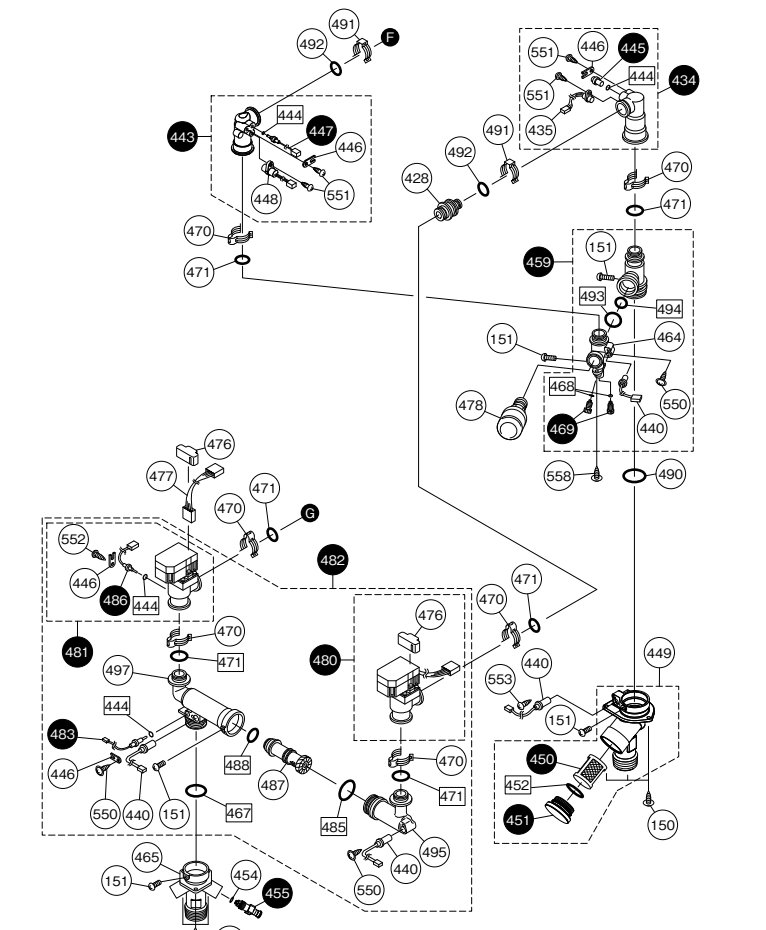
Hot-water feed route1 NCC3000D(GQ-C5032WZ-US)



Hot-water feed route2 NCC300DV(GQ-C5032WZ-US)



Hot-water feed route3 NCC3000D(GQ-C5032WZ-US)-NCC300DV(GQ-C5032WZ-US)



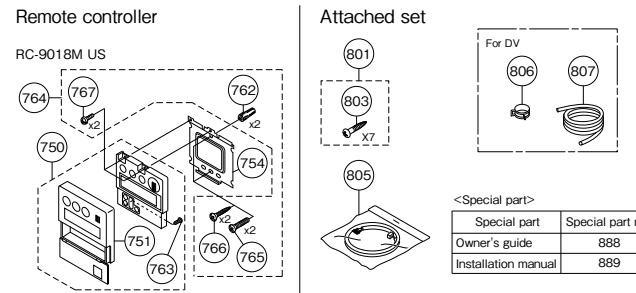
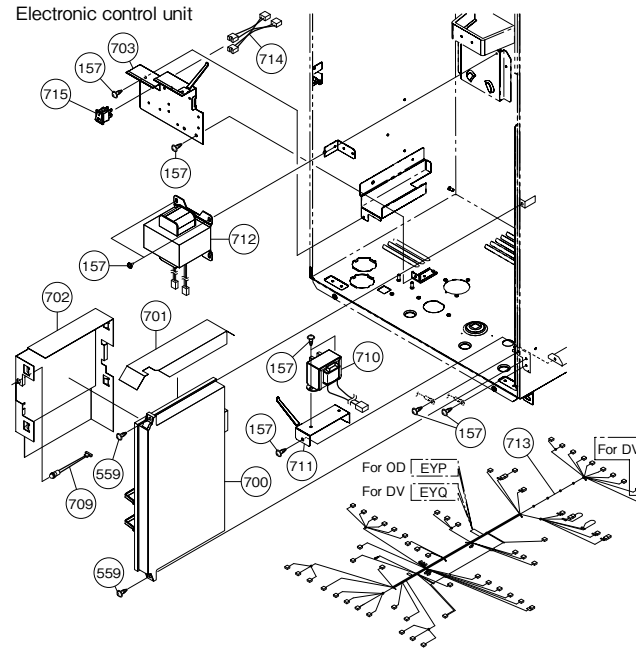
Hot-water feed route NCC3000D(GQ-C5032WZ US)-NCC300DV(GQ-C5032WZ-FF US)

Part Nos.	Part Names	Order Nos.	Q'ty/unit
400	Heat Exchanger (SET)	SKJ726B	1<OD>
401	Heat Exchanger (SET)	SKJ726C	1<DV>
403	Thermal Fuse	EQNH001	1
404	Freeze Prevention Heater	EHWH001	1
405	O-Ring - High Temp P20	3059502	1
406	Condensate Container (SET)	SKJ726D	1
407	Gasket - Exhaust	ENL004	1<OD>
408	Gasket - Front Top	CZPL002	1<OD>
409	Exhaust Top	EYDF006	1<OD>
410	Thermistor - Scale Detection (SET)	SKJ71N1	1
412	Pipe - Water Inlet	EYD001	1
413	Pipe - Secondary Heat Exchanger	EYD0021	1
415	Freeze Prevention Heater - Double Round (SET)	SKC7454	1<OD>
416	Clamp -Freeze Prevention High Limit Switch - 89	ELVH018	1<OD>
417	C" Clamp - Water Pipe 16-25	FABH001	1
418	Pipe - Water Inlet	SAD6593	4
419	Eye Roach	SAD6368	1
420	Clamp - Freeze Prevention	DLKH005	2
423	Freeze Prevention Heater	JBGH003	2
428	Coupling - Bypass Flow Sensor to Bypass Water Servo	EHAD014	1
431	Drain Hose	ENUF010	1
432	Drain Hose - Condensate	EYFP035	1
433	Clamp - Condensate Hose NO.35	SAD6670	2
434	Water Flow Sensor (SET)	EHAD020	1
435	Magnetic Sensor - Flow Sensor	BWCD093	1
436	Pipe - 1/4" Drain from Heat Exchanger (SET)	SKJ7282	1
437	Drain Connection - 1/4" tube	DLK0007	1
438	O-Ring - High Temp P6	3264408	2
439	C" Clamp - 1/4" tube 6-13	SAD6594	2
440	Freeze Prevention Heater - Round Short	BGDH002	5
441	Clamp -Freeze Prevention Clamp -Freeze Prevention	CPLL002	3<OD>
442	Freeze Prevention Heater - Rectangle	BGDH005	5<OD>
443	Freeze Prevention Heater - Rectangle	BGDH005	1<DV>
444	O-Ring - Thermistor High Temp P4	EHAD022	1
445	Plug - Water Flow Sensor	1323709	4
446	Thermistor Holding Plate	AXGD089	1
447	Thermistor - White - Q63	ALSD088	4
448	Magnetic Sensor - Flow Sensor	BWCD097	1
449	Inlet Water Connection (SET)	BWCD090	1
450	Water Filter	CCPD031	1
451	Water Filter Cap	DMAD037	1
452	O-Ring - Inlet Water Connection Cap	SAB4190	1
454	O-Ring - High Temp P3	SAD6593	3
455	Drain Cock	CRUD003	3
456	Clamp - Condensate Hose NO.39	SAD6531	2
459	Coupling - Inlet Water (SET)	EYPD012	1
464	Coupling - Inlet Water to Accumulator	EHAD013	1
465	Outlet Water Connection	EJH0001	1
467	O-Ring - High Temp P24	1322109	1
468	O-Ring - High Temp P9	SAD6635	2
469	Safety Relief Valve	EGGD029	2
470	C" Clamp - Water Pipe 16A	6340300	6
471	O-Ring - High Temp P16	3223302	10
472	Drain Connection - Condensate	EPHF001	1
476	Wine Cover - Servo	CZLD041	2
477	Wiring Harness - Main Water Servo	DZTJ008	1
478	Accumulator	DLWD001	1
480	Water Servo - Bypass (SET)	DZTD010	1
481	Water Servo - Main (SET)	DZTD011	1
482	Mixing Valve - w/ Servo (SET)	EHAD008	1
483	Thermistor - White - M64	BWCD096	1
485	O-Ring - High Temp 4C	SA6483	1
486	Thermistor - White - Q64	BWCD098	1

Hot-water feed route NCC3000D(GQ-C5032WZ US)-NCC300DV(GQ-C5032WZ-FF US)

Part Nos.	Part Names	Order Nos.	Q'ty/unit
487	Mixing Cylinder	DMAD016	1
488	O-Ring - High Temp P18	2308401	1
490	O-Ring - High Temp P22	1155105	1
491	C" Clamp - Water Pipe 12.7	6340202	2
492	O-Ring - High Temp P12.5	3359908	2
493	O-Ring - High Temp P22	7573308	1
494	O-Ring - High Temp P14	1326708	1
495	Mixing Coupling	EHAD011	1
497	Mixing Body	EHAD010	1
526	Freeze Prevention Heater - Round (SET)	SKB7689	2<DV>
527	Freeze Prevention Heater	EPWH001	1<DV>
530	Exhaust Flue w/ Damper	EYQF011	1<DV>
531	Gasket - Exhaust Flue	EYQL001	1<DV>
532	Folder -Freeze Prevention Thermistor - Exhaust	EYQH001	1<DV>
534	Gasket - Exhaust Thermistor	ETHH002	1<DV>
535	Packing - Exhaust Thermistor	ETHL004	1<DV>
		ETHL006	1<DV>
550	Screw - Short Machined M4X8 S410		
551	Screw - Round Head Medium Tapping M4X10 S305		
552	Screw - Round Head Medium Tapping M4X10 S410		
553	Screw - Short Machined M4X8 S410		
558	Screw - Short Machined M4X8 S410		
569	Screw - Long Tapping M4X12 S410		
560	Screw - Round Head Tapping 3X6		

Electronic control unit and Remote controller, Attached set NCC3000D(GQ-C5032WZ US)-NCC300DV(GQ-C5032WZ-FF US)

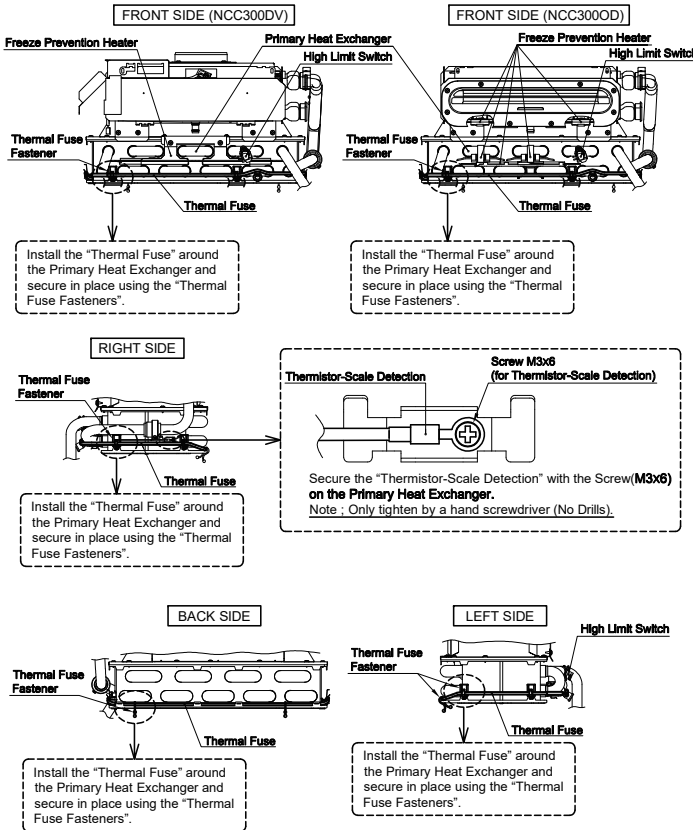


Electronic control unit and Remote controller, Attached set NCC3000D(GQ-C5032WZ US)-NCC300DV(GQ-C5032WZ-FF US)

Part Nos.	Part Names	Order Nos.	Q'ty/unit
700	Circuit Board	SHC7188	1
701	Cover - Circuit Board Plastic	DMAA026	1
702	Cover - Circuit Board	DMAA028	1
703	Mounting Plate - Terminal Block and/or GFCI	DUVA016	1
709	LED Light	CRPJ014	1
710	Small Transformer	DMAJ015	1
711	Mounting Plate - Small Transformer	DMAA019	1
712	Transformer	EAJU011	1
713	Wiring Harness - GQ-C5032WZ US	SKJ727Y	1<OD>
714	Wiring Harness - GQ-C5032WZ-FF US	SKJ727Z	1<DV>
714	Wiring Harness - Power Switch	EYQJ017	1
715	Power Switch	FAQJ033	1
750	Remote Controller - RC-9018M (SET)	QNQJ015	1
751	Cover - Remote RC-9018M	QNGA020	1
754	Mounting Plate - Remote RC-9018M	QNGA021	1
762	Dry Wall AnchorsX25	6339000	2
764	Screw Package - RC 9018M (SET)	QNGA100	1
765	Screw - Flat Head Machine M4X35		
766	Screw - Flat Head Tapping 4X20		
767	Screw - Round Head Machine M3X6		
800	Box - GQC5032WZ-FF US	SKJ726B	1
801	Wood Screw set7	SAD2028	1
803	Screw - Round Head Wood 4.8X38 S305		
805	Remote Cord - 6ft	ETHM001	1
806	Clamp - Drain Hose (External)	1230701	2<DV>
807	Hose - Drain (External)	AHED061	2<DV>
888	Owner's Guide - GQ-C5032WZ US	SBB80Y	1
889	Installation Manual - GQ-C5032WZ-FF US	SBB80Z	1<OD>
	Installation Manual - GQC5032WZ-FF US	SBB80Z	1<DV>

«Thermal Fuse Replacement Procedure»

Move the "Freeze Prevention Heaters", "Thermal Fuse Fasteners", "High Limit Switch", "Thermistor-Scale Detection", and other parts from the old Primary Heat Exchanger to the new one.  
(See 4 side view pictures below for location of each part.)



Procedure for Flushing the Heat Exchanger

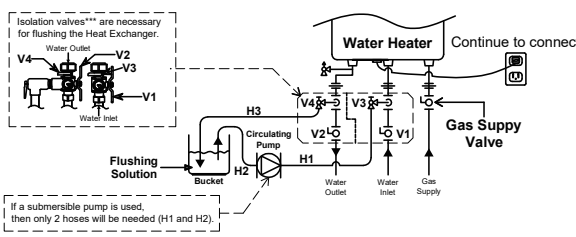
This procedure is only intended for use by a qualified service professional or authorized Noritz Service Representative. Any unauthorized use of this procedure may result in voiding the warranty. Please contact Noritz America (866-766-7489) for additional support.

If the error code "C\*#"~"C\*#" is flashing on the Remote Controller, it means there is Scale Build-up in the Heat Exchanger. The Heat Exchanger needs to be flushed\*\* to remove the Scale Build-up. **Damage to the water heater due to Scale Build-up is not covered by the water heater's warranty.** To clear the error code "C\*#"~"C\*#", the Heat Exchanger must be flushed. If the error code "C\*#" is displayed and flashing on the Remote Controller, please contact Noritz America (866-766-7489).  
\* = 1, 2, 3, 4, F / # = 0, 1, 2, 3, 4, 5, 6, 7, 8, 9  
\*\* Connect the "blue connector for flushing" when flushing the Heat Exchanger. After connecting it, the water heater is set to "Flushing Mode".

The water heater must remain connected to electrical power when flushing the Heat Exchanger.

Basic Procedure

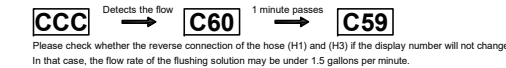
- «Procedure 1. The preparation of the flushing system»
1. Close the gas supply valve.
  2. Close the water inlet valve (V1) and the water outlet valve (V2).
  3. Connect the one drain hose (H1) to the drain valve (V3), and then the other to the circulating pump.
  4. Connect the drain hose (H2) to the circulating pump.
  5. Connect the drain hose (H3) to the drain valve (V4).
  6. Pour 2 gallons of "Calcium, Lime and Rust Removal Product" and 2 gallons water into the bucket. Noritz recommends "Calcium, Lime and Rust Removal Product" for flushing.
  7. Place the both drain hoses (H2 and H3) into the bucket filled with the flushing solution.
  8. Open the both drain valves (V3 and V4).



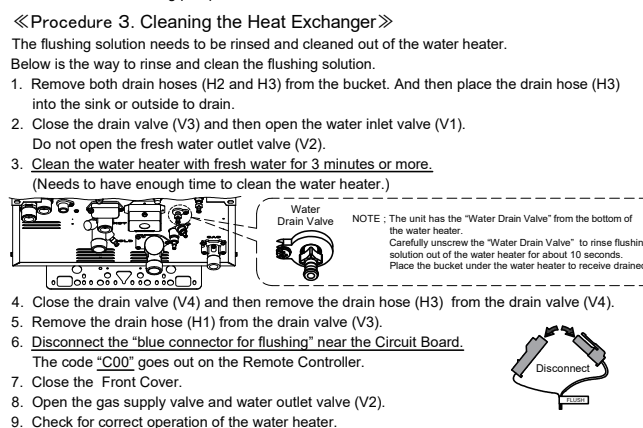
\*\* Isolation valves may be purchased as an accessory from an authorized Noritz wholesaler. They allow for full diagnostic testing and easy flushing of the system. Contact Noritz America for more information (866-766-7489).

«Procedure 2. Flushing the Heat Exchanger»

1. Open the Front Cover.
  2. Connect the "blue connector\*\*\*\* for flushing".
- Water Heater**
- 
3. Then the code "CCC" is displayed on the Remote Controller.
4. Turn on the circulating pump to circulate the flushing solution through the water heater for 1 hour at a rate of 1.5 gallons per minute or more.
5. The code "C60" is displayed on the Remote Controller when the water heater detects the flow of the flushing solution.
- When 1 minute passes, the code "C60" will change to "C59" on the Remote Controller.



6. When 1 hour passes, the code "C00" is flashing on the Remote Controller. Do not disconnect the "blue connector for flushing".
7. Turn off the circulating pump.
- «Procedure 3. Cleaning the Heat Exchanger»
- The flushing solution needs to be rinsed and cleaned out of the water heater. Below is the way to rinse and clean the flushing solution.
1. Remove both drain hoses (H2 and H3) from the bucket. And then place the drain hose (H3) into the sink or outside to drain.
  2. Close the drain valve (V3) and then open the water inlet valve (V1). Do not open the fresh water outlet valve (V2).
  3. Clean the water heater with fresh water for 3 minutes or more. (Needs to have enough time to clean the water heater.)



In case of the "Quick Connect Multi System Procedure"

1. Connect the "blue connector for flushing" of need to be flushed. (The water heater is isolated from Quick Connect Multi system when the "blue connector or flushing" is connected. Not need to disconnect the Quick Connect Cord.)
- 
2. Then the code "CCC" or "FCC" is displayed on the Remote Controller. CCC is displayed when the Main Water Heater's blue connector is connected. FCC is displayed when the Sub Water Heater's blue connector is connected.
  3. Turn on the circulating pump to circulate the flushing solution through the water heater for 1 hour at a rate of 1.5 gallons per minute or more. (LED light is flashing while flushing the heat exchanger. See the "Procedure 2.5".)
  4. When 1 hour passes, the code "C00" is flashing on the Remote Controller. Do not disconnect the "blue connector for flushing".
- 
5. Turn off the circulation pump.
  6. Rinse and clean the flushing solution out of the water heater in accordance with "Procedure 3". (See the "Procedure 3.1-3.5".)
  7. Disconnect the "blue connector for flushing". The Code "C00" goes out on the Remote Controller.
  8. Close the Front Cover.
  9. Open the gas supply valve and water outlet valve.
  10. Check for correct operation of the water heater.
- See the Installation Manual in case of the "Multi System's Flushing Procedure".
- Please contact Noritz America if more information is needed for flushing. (Phone #: 866-766-7489)