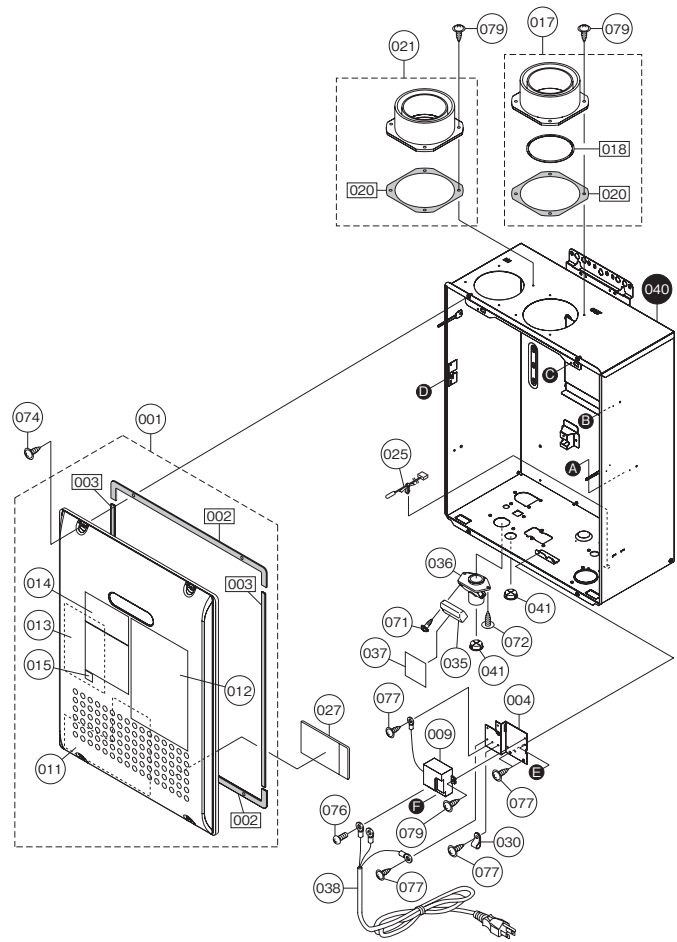
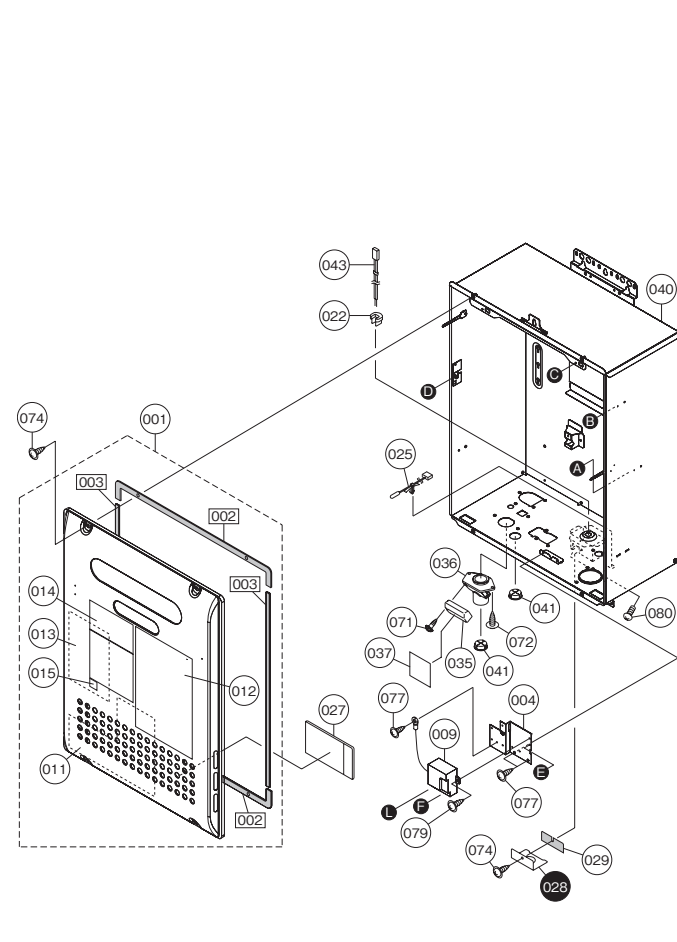


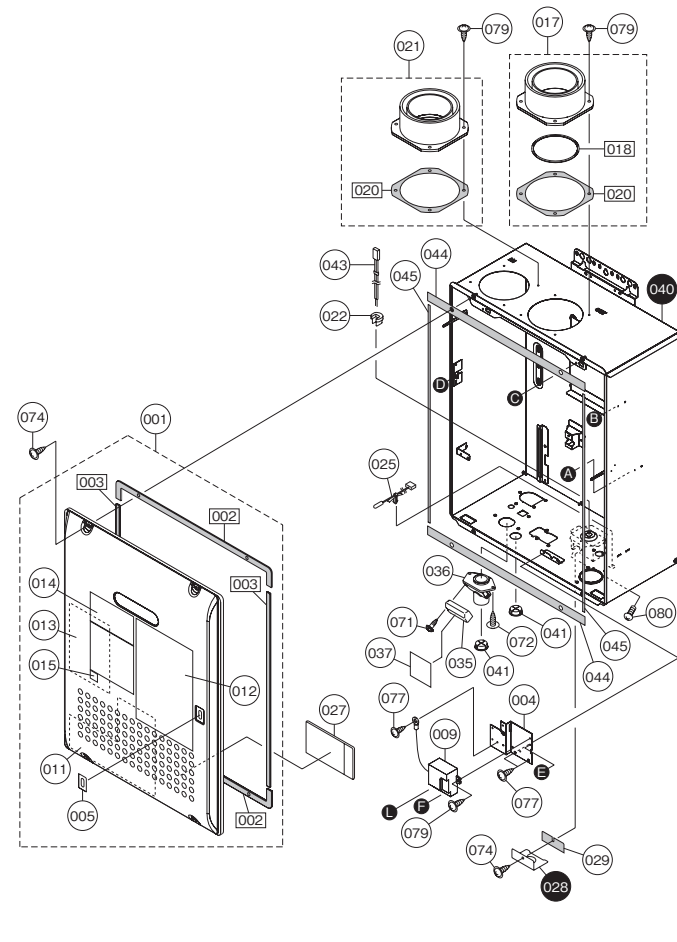
External outfitting NRC1111-DV



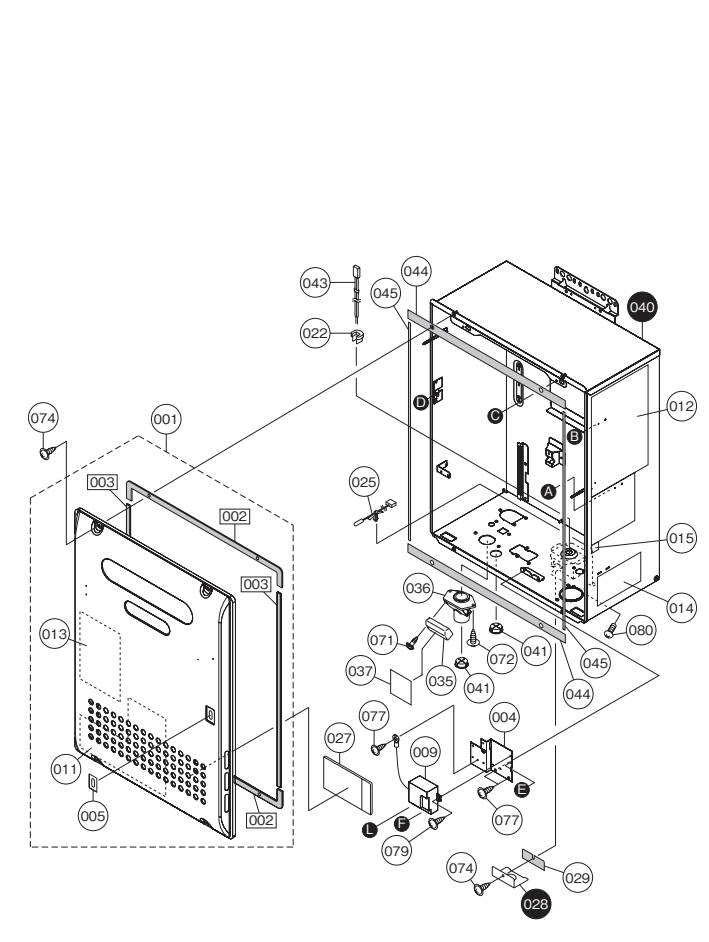
External outfitting NRC1111-OD



External outfitting NCC1991-DV



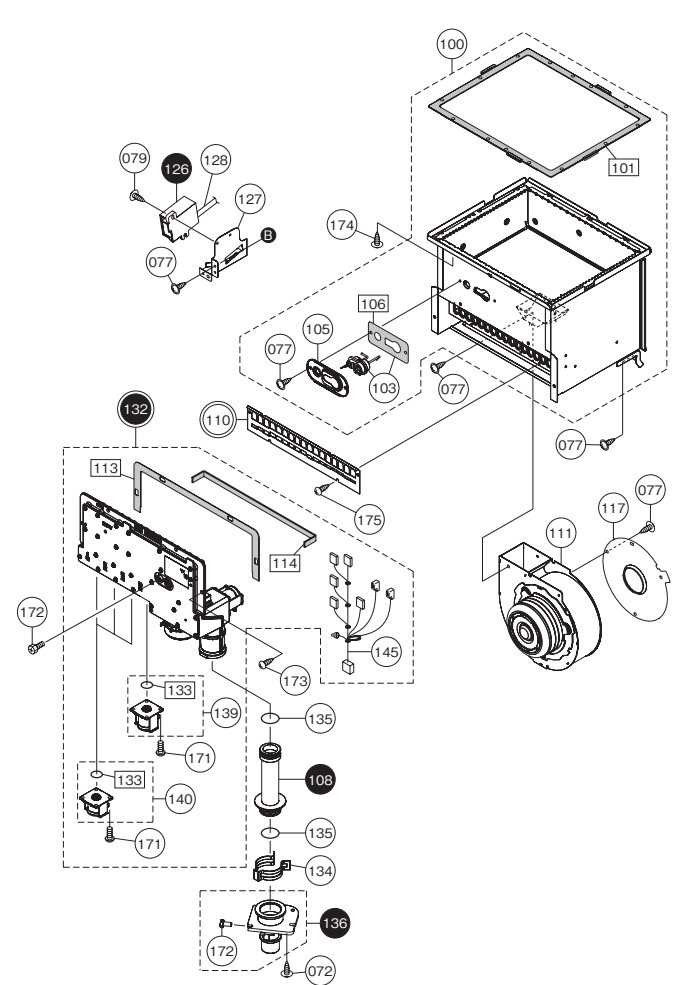
External outfitting NCC1991-OD



External outfitting NRC1111(-DV,-OD),NCC1991(-DV,-OD)

Part Nos.	Part Names	Order Nos.	Q'ty/unit
001	NRC1111-DV Front set-AS NRC1111-OD Front set-AS NCC1991-DV Front set-AS NCC1991-OD Front set-AS	SKH7180 SKH7181 SKH7182 SKH7183	1<NRC1111-DV> 1<NRC1111-OD> 1<NCC1991-DV> 1<NCC1991-OD>
002	Front packing S AAP	AAPL015	2
003	Front packing L AAP	AAPL017	2
004	Mounting plate for terminal block DZT	DZTA006	1
005	Lamp seal plate ENK	ENKK002	1<NCC1991>
009	Lightning arrester127 ERD	ERDJ011	1
011	Connection diagram label ETP	ETPK001	1
012	Caution label ENG ELV	ELVK003	1
013	Caution label FRE ELV	ELVK006	1
014	Rating plate 2 DV(FF) ELV	ELVK010	1<DV>
015	Rating plate 2 OD(W) ELV	ELVK009	1<OD>
017	Exhaust adapter ETH	ETHK071	1
018	O-ring φ92 ETH	ETHF021	1<DV>
020	Flange packing ETH	ETHF025	1<DV>
021	Intake adapter ETH	ETHF024	2<DV>
022	Cord bushing SR-SP-4	ETHF031	1<DV>
		SAE6198	1<NRC1111-OD> 1<NCC1991-DV> 1<NCC1991-OD>
025	Air thermostat BWC	BWCH003	1
027	Parts list label set ETP	ETPK051	1
028	Junction box cover(SUS) ENJ-A	ENJA025	1<NRC1111-OD> 1<NCC1991-DV> 1<NCC1991-OD>
029	Junction box cover packing ENW	ENWL005	1<NRC1111-OD> 1<NCC1991-DV> 1<NCC1991-OD>
030	Nylon clamp HP-4N (NK-4N)	7287909	1<NRC1111-DV>
035	External connection terminal block cover DNS	DNSA025	1
036	External connection terminal block set DNS	DNSA025	1
037	Remote controller connecting Caution label ENJ	ENJK002	1
038	Power supply cord ERD	ERDJ013	1<NRC1111-DV>
040	Case SET WX-FF ETP	ETPA011	1<NRC1111-DV>
	Case SET WX-W ETP	ETPA001	1<NRC1111-OD>
	Case SET WZ-FF ETP	ETPA111	1<NCC1991-DV>
	Case SET WZ-W ETP	ETPA101	1<NCC1991-OD>
041	Grommet CXP	CXPA026	2
043	Conduit 92-120V ENJ	ENJU020	1<NRC1111-OD> 1<NCC1991-DV> 1<NCC1991-OD>
044	Guard packing side EMT	EMTA008	2<NCC1991>
045	Guard tape 590 EMT	EMTA009	2<NCC1991>
071	Cross recessed round-head collar P TIGHT screw 4X12 S410		<NRC1111>
072	Cross recessed round-head collar EVERTIGHT tapping screw 4X12 S410		<NCC1991>
074	Cross & straight recessed truss type3 S TIGHT tapping screw 4X12 SUS410 Geomet		<NCC1991>
076	Cross recessed truss type3 EVERTIGHT tapping screw with PW 4X12 S410 Geomet		<NCC1991>
078	Cross recessed blind machine screw M3.5X6 S430		<NRC1111-OD>
077	Cross recessed round-head collar N-tapping screw 4X8 S410		<NCC1991-DV>
079	Cross recessed round-head collar N-tapping screw 4X12 S410		<NCC1991-DV>
080	Cross recessed truss machine screw M4X8 S430		<NCC1991-OD>

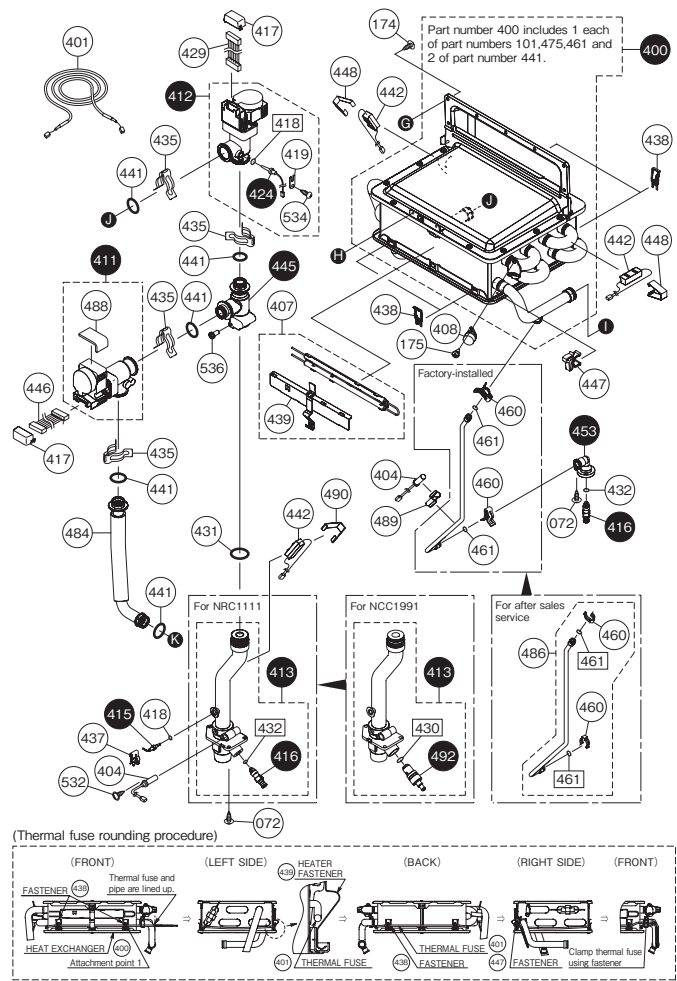
Combustion unit and gas route NRC1111(-DV,-OD),NCC1991(-DV,-OD)



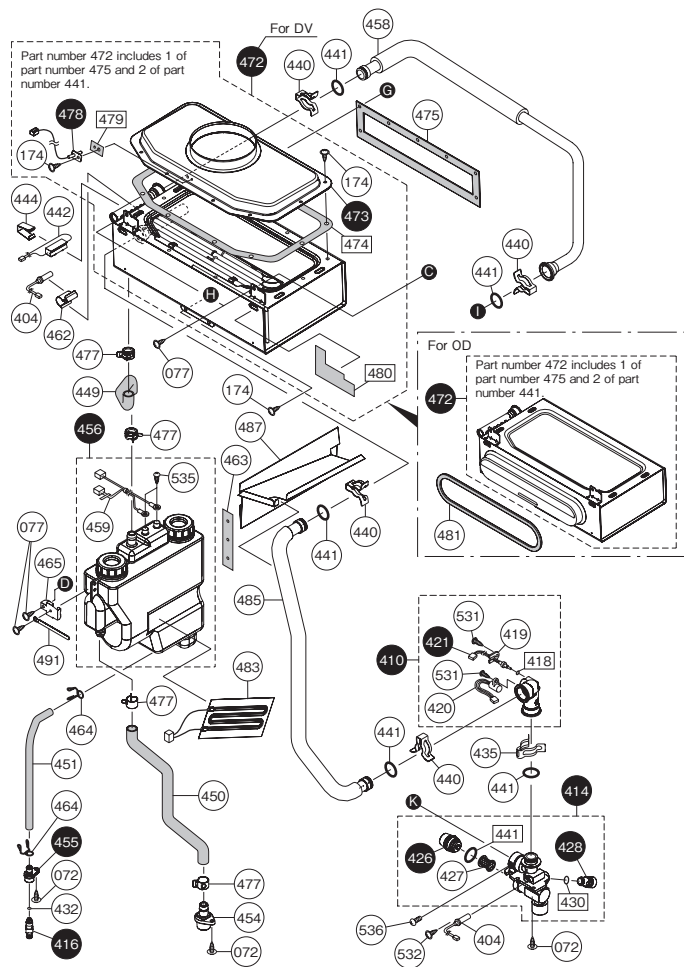
Combustion unit and gas route NRC1111(-DV,-OD),NCC1991(-DV,-OD)

Part Nos.	Part Names	Order Nos.	Q'ty/unit
100	Combustion tube set ETP SET-V	SKH7184	1
101	Suction air joint packing ESW	ESWL001	1
103	Ignition plug SET ESS SET-V	SKG7311	1
105	Mounting plate for plug SET ESW	ESWC011	1
106	Plug packing O EHK	EHLK001	1
108	Gas pipe ETP	ETPE011	1
110	Main damper 17-13 EFW	EFWC033	1<LP>
	Main damper 17-14 EFW	EFWC034	1<NG>
111	Fan motor 110 ENJ(ENG)SET-AS#	SKD7441	1<DV>
	Fan motor 100 EJA(ENG)SET-AS#	SKG7470	1<OD>
113	Manifold joint packing top ERD	ERDL007	1
114	Manifold joint packing bottom ERD	ERDL009	1
117	Bell-mouth 110 φ40 EHK	EHKF424	1<DV>
	Bell-mouth φ48 CRU	CRUC046	1<OD>
126	Igniter ERD	ERDJ012	1
127	Mounting plate for igniter DTJ	DTJAD15	1
128	High-voltage cord 470	SAC1229	1
132	Gas mech. manifold L17ESW SET-AS	SKH7186	1<LP>
	Gas mech. manifold L24ESW SET-AS	SKH7187	1<NG>
133	O-ring JASO 2030 type1	SAA6044	4
134	Quick fastener 25.4	6340601	1
135	O-ring φ25.5	S4B1512	2
136	Gas fitting 20A SET ELW	ELWE021	1
139	Solenoid S16ERCJASO2030SETV	SKG7181	1
140	Solenoid S06 ERC SET-V	SKG7316	3
145	Conduit R10 ESW	ESWJ015	1
171	Cross recessed round-head SPARK machine screw with guide M4X12 SWCH22A Trivalent Chromate		
172	Cross recessed hexagon head machine screw M4X8 SWCH12A Trivalent Chromate pre-coating		
173	Cross recessed round-head type3 EVERTIGHT tapping screw 5X16 S410		
174	Cross recessed round-head collar N-tapping screw 4X10 S410		
175	Cross recessed round-head N-tapping screw 4X8 S410		

Hot-water feed route 1 NRC1111(-DV,-OD),NCC1991(-DV,-OD)



Hot-water feed route 2 NRC1111(-DV,-OD),NCC1991(-DV,-OD)



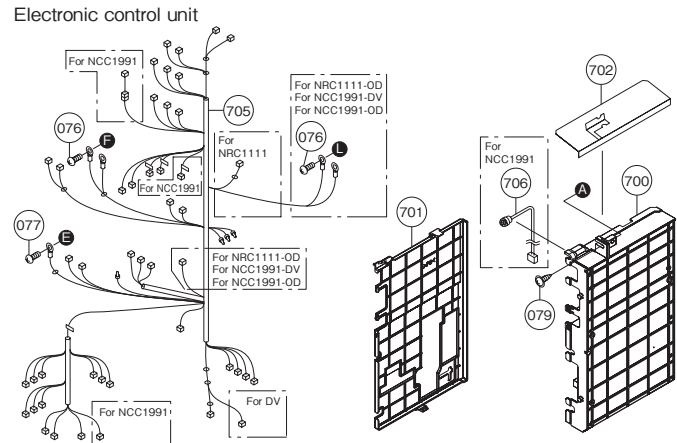
Hot-water feed route 1 NRC1111(-DV,-OD),NCC1991(-DV,-OD)

Part Nos	Part Names	Order Nos	Q'ty/unit
400	Heat exchanger & Exhaust box ETP SET-AS OPK	SKH7168	1
401	Thermal fuse F ERG label ETP SET-V	SKH7189	1
404	Freeze preventive heater 3	ERD003	4
407	Freeze preventive heater Q	SKH7192	1
408	Remaining flame safety device 94	ELVH002	1
410	Water flow sensor SET	ERD	1
411	Water flow servo 1 ETP label ETP SET-V	SKH7202	1
412	Water flow servo set 2 ETP	ETFD011	1
413	Hot-water feed pipe	ENJD003	1<NRC1111> 1<NCC1991>
414	Water inlet fitting 20ASET	EJM	1
415	Hot-water thermostat-300	BWC	1
416	Drain cock	CRU	3<NRC1111> 2<NCC1991>
417	Waterproof cover	EBT	2
418	Chlorinated water-resistant O-ring P4	1323709	3
419	Thermistor holding plate	ALS	2
420	Water outlet magnetic sensor	BWC	1
421	Water inlet thermistor-300	BWC	1
424	Heat exchanger thermistor-300	BWC	1
426	Water filter cover	DTJ	1
427	Water filter (SUS)	EGBD032	1
428	GMF safety valve A(S)	SA2011	1
429	Conduit RB6	JBG	1
430	Hot-water resistant O-ring P9	SAD6635	1<NRC1111> 2<NCC1991>
431	Chlorinated water-resistant O-ring P22	7573308	1
432	Hot-water resistant O-ring P3	SAD6633	3<NRC1111> 2<NCC1991>
435	Quick fastener 16A	6340300	5
437	Sensor fastener	CRU	1
438	Thermal fuse fastener	EGL	4
439	Heater fastener SET	ERD	1
440	Quick fastener 16-25	SAD6593	4
441	Chlorinated water-resistant O-ring P16	3223302	11
442	Freeze preventive heater 2	ERD	4
444	Heater fastener L	AMM	1
445	Mixing room	ELW	1
446	Conduit 86	ETP	1
447	Harness clip 16	SAB2775	1
448	Heater fastener LL	CPL	2
449	Drain hose	ETP	1
450	Drain hose 2	ENJ	1
451	Water drain hose of neutralizer	ENJ	1
453	Drain coupling	CBN	1
454	Drain coupling EPH	EPHF001	1
455	Draining coupling	EMD	1
456	Drain trap SET	ETP	1
458	Heat exchanger connecting pipe	ETH	1
459	Water level electrode harness	EPJ	1
460	Quick fastener 6-13	SAD6594	2<Factory-installed> 2<For after sales service>
461	Chlorinated water-resistant O-ring P6	6339905	2
462	Heater fastener 16	ETH	1
463	Neutralizer packing	ENJ	1
464	Pin band for P-8	DEG	2
465	Mounting plate for neutralizer	EHW	1
472	Secondary heat exchanger FF	ETP SET-AS OPK	1<DV> 1<OD>
473	Exhaust box set	ETP SET-AS OPK	1<DV> 1<OD>
474	Exhaust box packing	ETP	1<DV>
475	Secondary heat exchanger joint packing	ETH	1
478	Hose clamp NO.35	SAD6670	4
479	Exhaust thermistor	ETH	1<DV> 1<OD>

Hot-water feed route 2 NRC1111(-DV,-OD),NCC1991(-DV,-OD)

Part Nos	Part Names	Order Nos	Q'ty/unit
480	Exhaust thermistor fixing packing	ETH	1
481	Front top packing	CZR	1<DV> 1<OD>
483	Freeze preventive heater 120V	ETH	1
484	Bypass pipe	ENJ	1
485	Water inlet pipe	ETP	1
486	Drain pipe	ETP SET-AS	1<For after sales service>
487	Drain cover	ETPA071	1
488	Waterproof cover	DTJ	1
489	Heater fastener	DLK	1
490	Heater fastener 22.2	ELV	1
491	Lead clamp 70	HBN	1
492	safety valve SET	EGG	1<NCC1991>
531	Cross recessed round-head P TIGHT screw 4X10 S305		
532	Cross & straight recessed truss type3 S TIGHT tapping screw 4X6 S410		
534	Cross recessed round-head P TIGHT screw 4X10 S410		
535	Cross recessed truss P TIGHT screw 4X25 XM7		
536	Cross recessed round-head machine screw M4X8 S430 Trivalent Chromate (Black)		

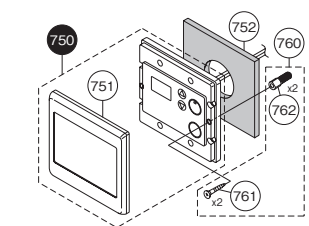
Electronic control unit and Remote controller NRC1111(-DV,-OD),NCC1991(-DV,-OD)



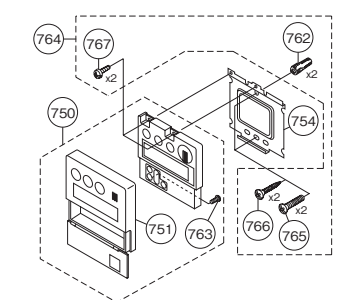
Electronic control unit and Remote controller NRC1111(-DV,-OD),NCC1991(-DV,-OD)

Part Nos	Part Names	Order Nos	Q'ty/unit
700	Relay case ETP SET-AS	SHB7473	1
701	Relay case cover ERD-A	ERD008	1
702	Relay case waterproof cover	ETH	1
705	Harness WX-FF ETP	ETPJ021	1<NRC1111-DV> 1<NCC1991-OD>
706	Harness WZ-FF ETP	ETPJ121	1<NRC1111-DV> 1<NCC1991-OD>
706	Lamp cable conduit	CRP	1<NCC1991>
750	RC-7651M body ENG	QXU	1<NRC1111> 1<NCC1991>
751	M Dressed frame body NR Solid color	QME	1<NRC1111> 1<NCC1991>
752	Wall packing	QHU	1<NRC1111> 1<NCC1991>
754	Remote controller fixture	QQA021	1<NCC1991>
760	Shower remote controller screw set	SAD6448	1<NRC1111> 1<NCC1991>
761	Cross recessed round wood screw 4.1X25 S305		1<NRC1111>
762	Car plug 6X25		1<NCC1991>
763	Cross recessed blind machine screw M3X6 S430		1<NCC1991>
764	Main remote controller screw set (9100) (RS)	SH6571	1<NCC1991>
765	Cross recessed flat-head screw M4X35 SWRMB Trivalent chromate		1<NCC1991>
766	Cross recessed flat-head wood screw (All screw)4.1X20 SWRMB Trivalent chromate		1<NCC1991>
767	Cross recessed blind machine screw S TIGHT 3X6 SWRMB Trivalent chromate		1<NCC1991>

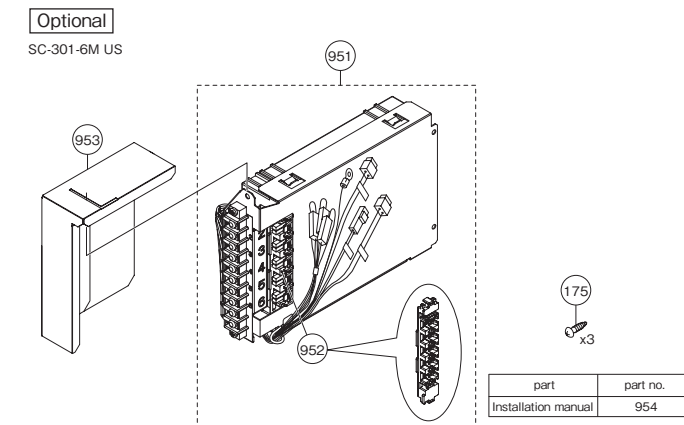
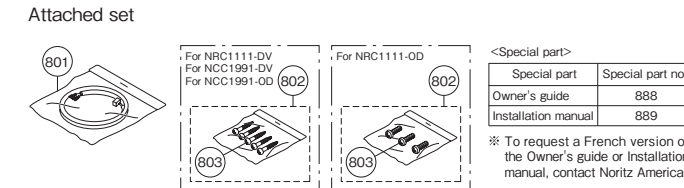
Remote controller For NRC1111 RC-7651M-ENG



For NCC1991 RC-9018M US



Attached set NRC1111(-DV,-OD),NCC1991(-DV,-OD)



Attached set NRC1111(-DV,-OD),NCC1991(-DV,-OD)

Part Nos	Part Names	Order Nos	Q'ty/unit
800	GQC2854WS-FF US packing SET V	SKG7859	1<NRC1111> 1<NCC1991>
801	GQ-C3254WZ US packing SET V	SKH7185	1
801	Remote controller cord S included set	ETH	1
802	Screw SET(W)	SAB2753	1<NRC1111-DV> 1<NCC1991-DV> 1<NCC1991-OD>
803	PS3 Screw SET	SAB2286	1<NRC1111-DV> 1<NCC1991-DV> 1<NCC1991-OD>
803	Cross recessed round-head type 1 tapping screw 5X35 S305		1<NRC1111-DV> 1<NCC1991-DV>
888	Owner's Guide GQ-C3254WX US	SBA8723	1<NRC1111> 1<NCC1991>
889	Owner's Guide GQ-C3254WZ US	SBA8725	1<NRC1111-DV> 1<NCC1991-DV>
889	Installation manual GQ-C3254WX-FF US	SBA8724	1<NRC1111-DV> 1<NCC1991-DV>
889	Installation manual GQ-C3254WZ-FF US	SBA8747	1<NRC1111-DV> 1<NCC1991-DV>
889	Installation manual GQ-C3254WZ US	SBA8726	1<NCC1991-OD>
951	Relay SC US ENJ SET-AS	SHB7478	1
952	Connector terminal block SC	ENJU106	1
953	System controller cover SC US	ENJU115	1
954	Installation manual SC-301US	SBA8849	1
961	Quick-Connect Cable QC-2	7066377	1
962	QC-1 Adaptor	SAG4672	1
963	Nylon clamp HP-3N (NK-3N)	7223901	2
964	Installation manual for Quick connect cord USA	SAQ8992	1