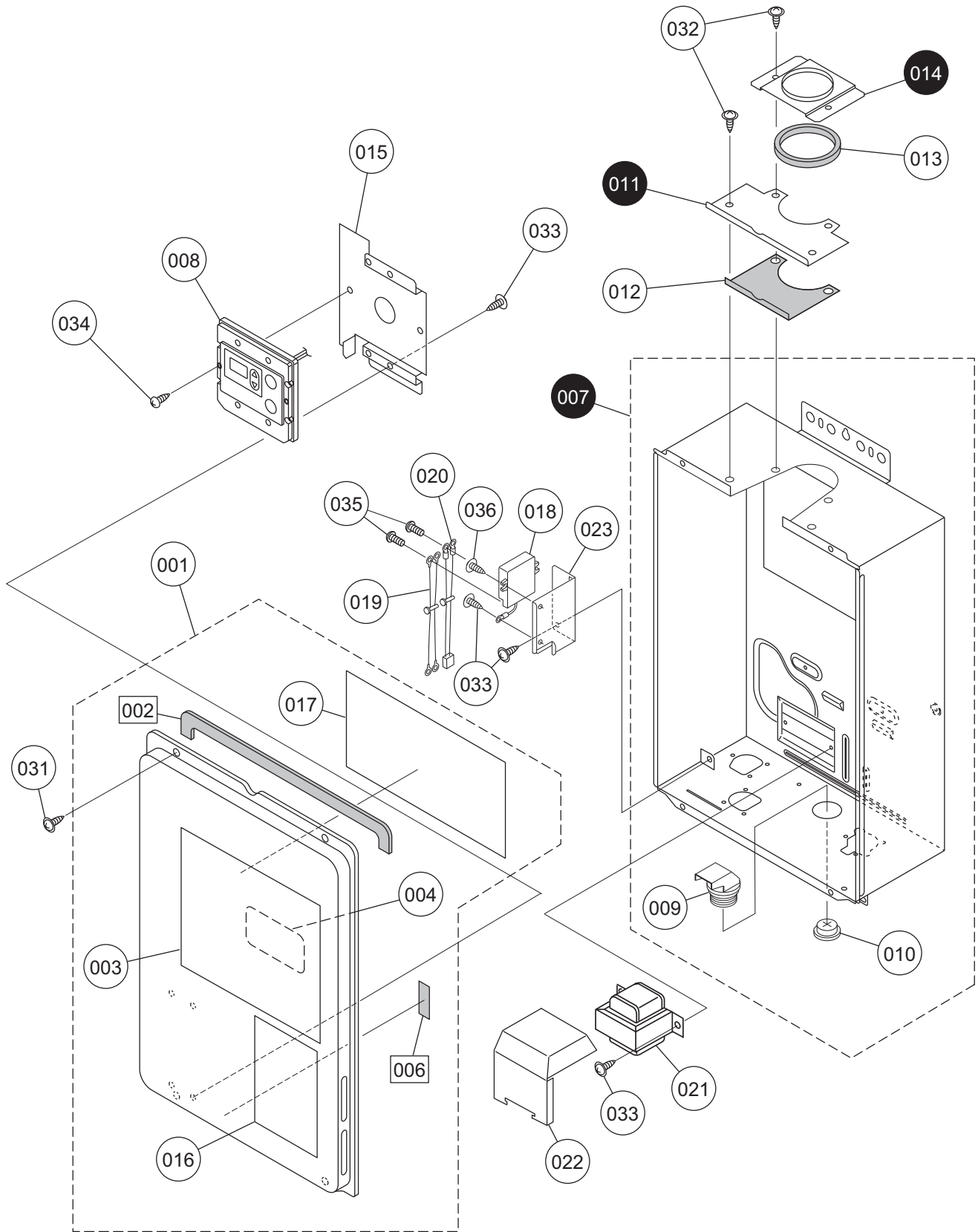
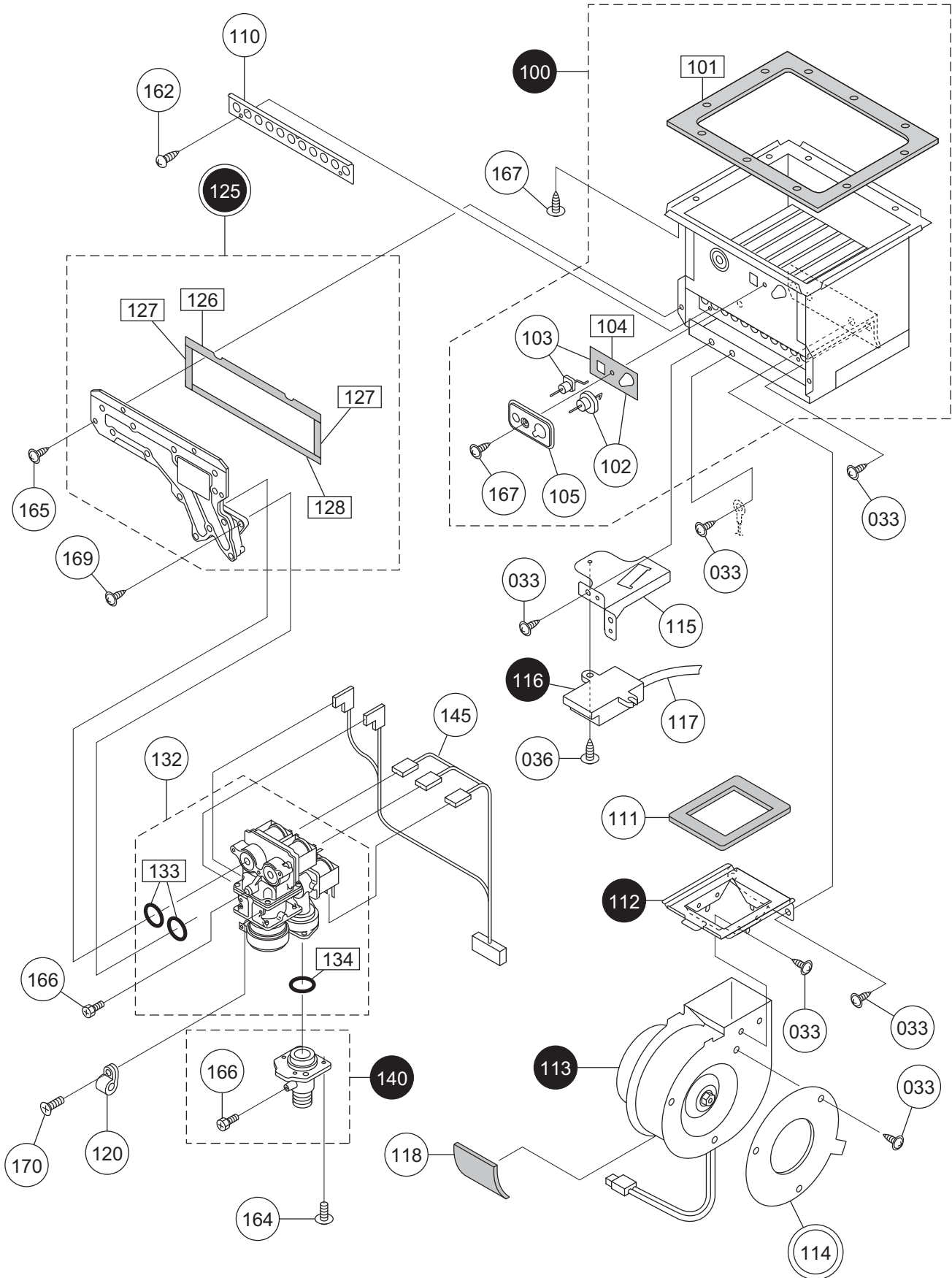


External outfitting



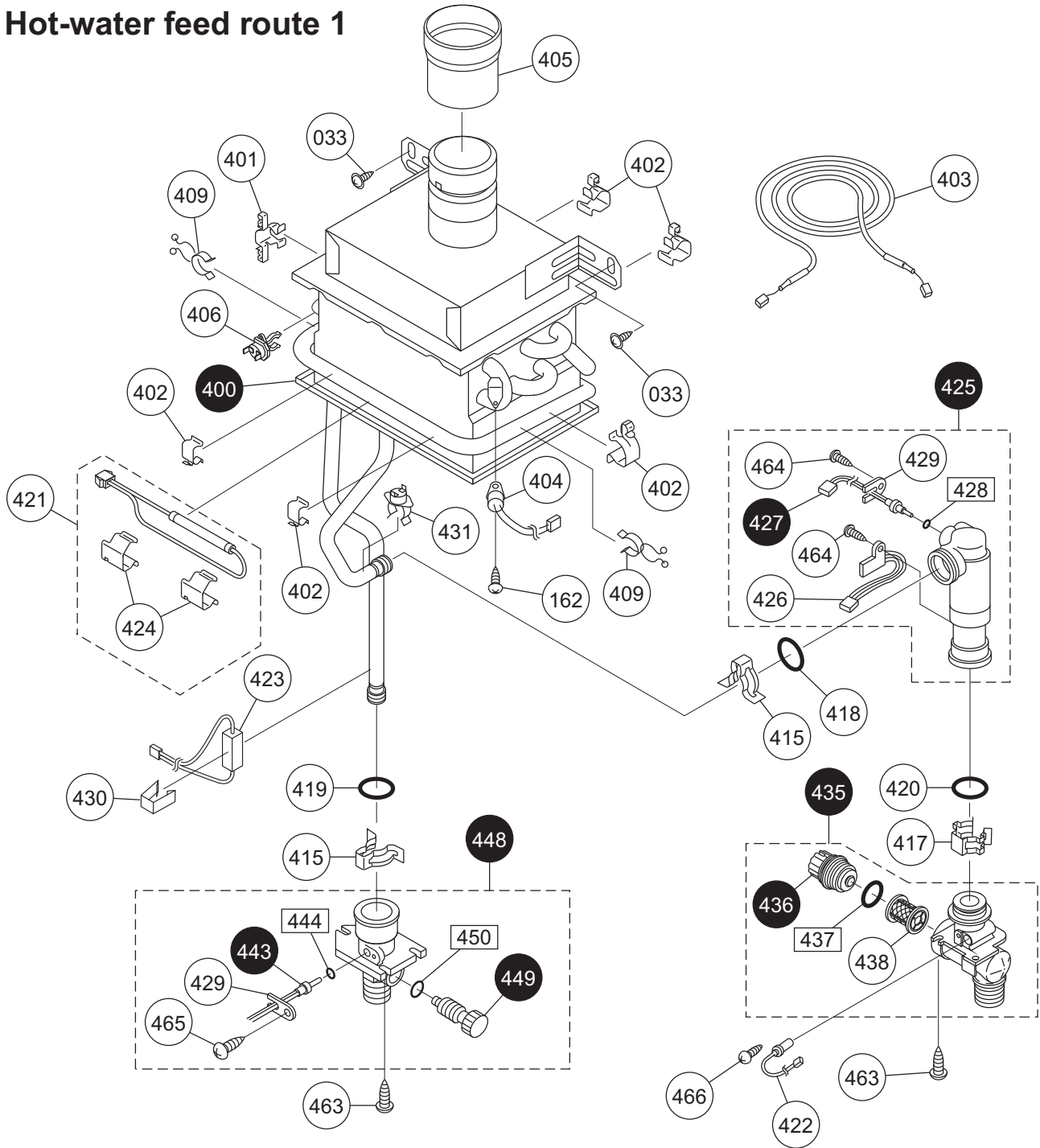
Combustion unit and gas route



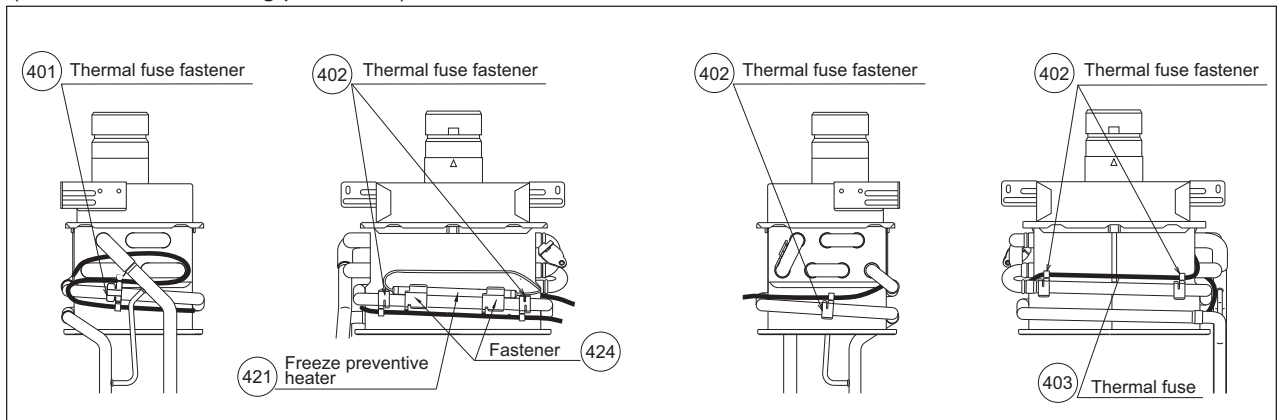
Combustion unit and gas route

Part Nos.	Part Names	Order Nos.	Q'ty/unit
100	Combustion tube SET DTX	DTXC002	1
101	Suction air joint packing DTX	DTXL001	1
102	Ignition plug CZL packing DLK SET-V	SBC7684	1
103	Frame rod DLK packing DLK SET-V	SBC7685	1
104	Plug packing (for B) DLK	SAB2715	1
105	Plug fixing plate (for B) DLK	DLKC029	1
110	Main damper Q14 CRU	CRUC034	1
111	Fan packing Q DTJ	DTJL004	1
112	Fan flange DTJ	DTJF035	1
113	Fan motor DTJ SET-AS	SBC7734	1
114	Bell-mouse ø32 DTJ	DTJF047	1
	Bell-mouse ø30 DTJ	DTJF046	1
115	Igniter mounting plate DTJ	DTJA015	1
116	Igniter CRP	CRPJ002	1
117	High-voltage cord L350 ALS	ALSJ079	1
118	Conduct guard packing DTJ	DTJL010	1
120	Nylon clamp HP-2N (NK-2N)	7144105	1
125	Front pipe L15 DTX SET-AS	SBC7690	1
	Front pipe L20 DTX SET-AS	SBC7691	1
126	Front pipe seal packing-top DTX	DTXL005	1
127	Front pipe seal packing-side DTJ	DTJL007	2
128	Front pipe seal packing-bottom DTX	DTXL006	1
132	Gas mech. S16D DTJ SET-V	SBC7692	1
133	O-ring P18	2110903	2
134	O-ring P28	1648306	1
140	Gas fitting 15A SET EDN	EDNE001	1
145	Conduit R10 EDN	EDNJ005	1
162	Cross recessed round-head N-tapping screw 4X8		
164	Cross recessed PW truss screw M4X12		
165	Cross recessed round-head type 3 EVERTIGHT tapping screw 5X16		
166	Cross recessed hexagon head machine screw M4X8		
167	Cross recessed round-head N- tapping screw 4X10		
169	Cross recessed round-head SPAK machine screw guide M4X14		
170	Cross recessed truss screw M4X8		

Hot-water feed route 1



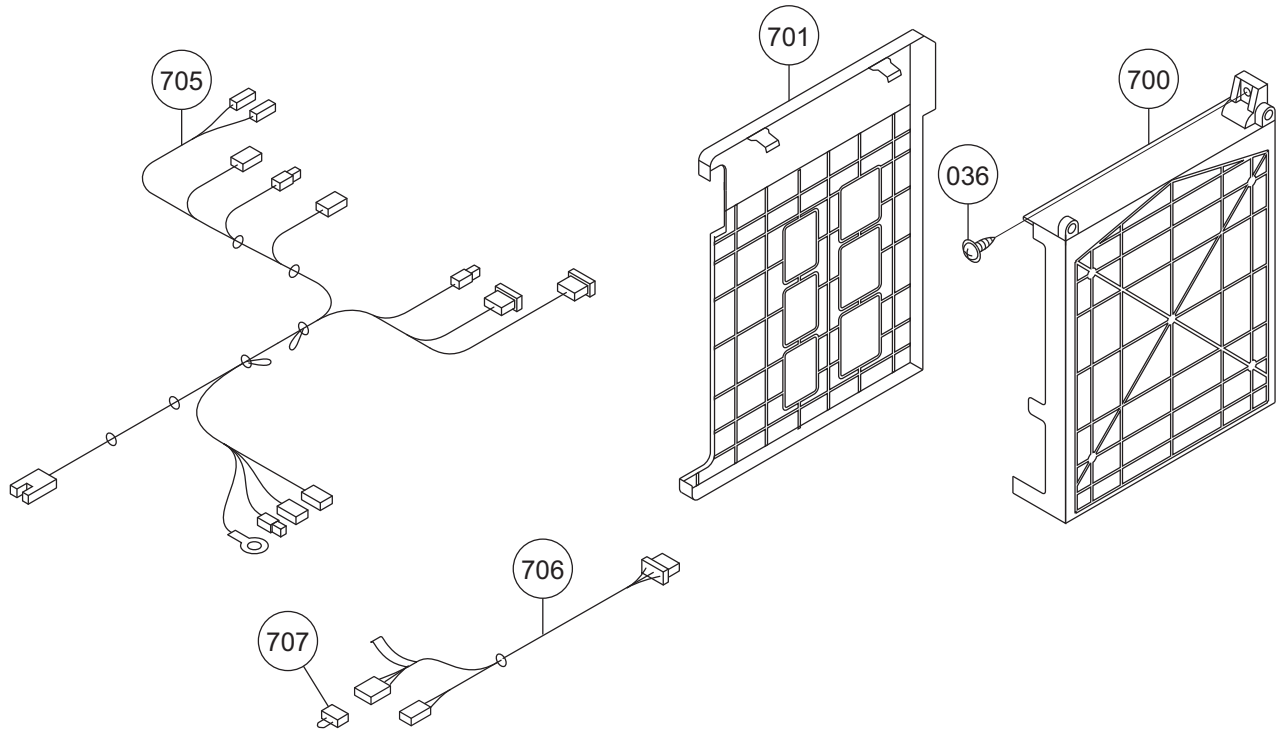
(Thermal fuse rounding procedure)



Hot-water feed route 1/Hot-water feed route 2

Part Nos.	Part Names	Order Nos.	Q'ty/unit
400	Piping base collective trunk EBN SET-AS	SBC7963	1
401	Thermal fuse fastener CZL	CZLH005	1
402	Thermal fuse fastener DTJ	DTJH002	5
403	Thermal fuse Q DTX SET-V	SBC7705	1
404	High limited 120 DJP	DJPH002	1
405	Exhaust adapter EDN	EDNF001	1
406	F-point thermostat BVU	BVUH002	1
409	Harness clip HGK	HGKL015	2
415	Quick fastener for 13-22	SAD6537	2
417	Quick fastener 16A	6340300	1
418	O-ring P12.5	3359701	1
419	O-ring P12.5C	3359808	1
420	O-ring P16	2144905	1
421	Freeze preventive heater CRP SET-V	SAQ7745	1
422	Freeze preventive heater 3 BGD	BGDH002	1
423	Freeze preventive heater 2 BGD	BGDH005	1
424	Heater fastener CRP	CRPH004	2
425	Water mech. 3 SET DUC	DUCD005	1
426	Magnetic sensor CXD	CXDD003	1
427	Water inlet thermostat 300 BWC	BWCD097	1
428	O-ring P4	2100908	1
429	Thermistor holding plate ALS	ALSD088	2
430	Heater fastener-M AJB	AJBL002	1
431	F-point thermostat SET DJP	DJPH003	1
435	Water inlet fitting 20A SET EDN	EDND001	1
436	Water filter cap DTJ	DTJD006	1
437	O-ring 16DF BRQ	BRQL008	1
438	Water filter DTJ	DTJD005	1
443	Hot-water outlet thermostat 300 BWC	BWCD096	1
444	O-ring P4C	1323709	1
448	Hot-water outlet fitting 20A SET EDN	EDND003	1
449	QMF safety valve A(S)	SAA2811	1
450	Hot-water resistant O-ring P9	SAD6635	1
463	Cross recessed round-head type 3 EVERTIGHT collar tapping screw 4X12		
464	Cross recessed P TIGHT truss screw 4X14		
465	Cross & straight recessed round-head type 3 S TIGHT tapping screw 4X8		
466	Cross & straight recessed truss type 3 S TIGHT tapping screw 4X6		

Electronic control unit and attached set



Attached set



<Special part>

Special part	Special part no.
Instruction manual	888

Electronic control unit and attached set

Part Nos.	Part Names	Order Nos.	Q'ty/unit
700	Relay case DTJ-D SET-AS	SHA7421	1
701	Relay case cover DUC	DUCJ004	1
705	Harness 1 EDN	EDNJ002	1
706	Conduit R89 EBN	EBNJ004	1
707	Gas type change connector 1 DJP	DJPJ011	1
800	GQ-1623WE-H USA package P SET-V	SBD7560	1
801	Cross recessed round-head type 1 tapping screw 5X35		
888	Instruction manual GQ-1623WE-H America	SAQ8625	1
	(Supplied parts when shifting the power source: from NG to LPG)		
114	Bell-mouse ø32 DTJ	DTJF047	1
125	Front pipe L15 DTX SET-AS	SBC7690	1
133	O-ring P18	2110903	2
	(Supplied parts when shifting the power source: from LPG to NG)		
114	Bell-mouse ø30 DTJ	DTJF046	1
125	Front pipe L20 DTX SET-AS	SBC7691	1
133	O-ring P18	2110903	2
707	Gas type change connector 1 DJP	DJPJ011	1