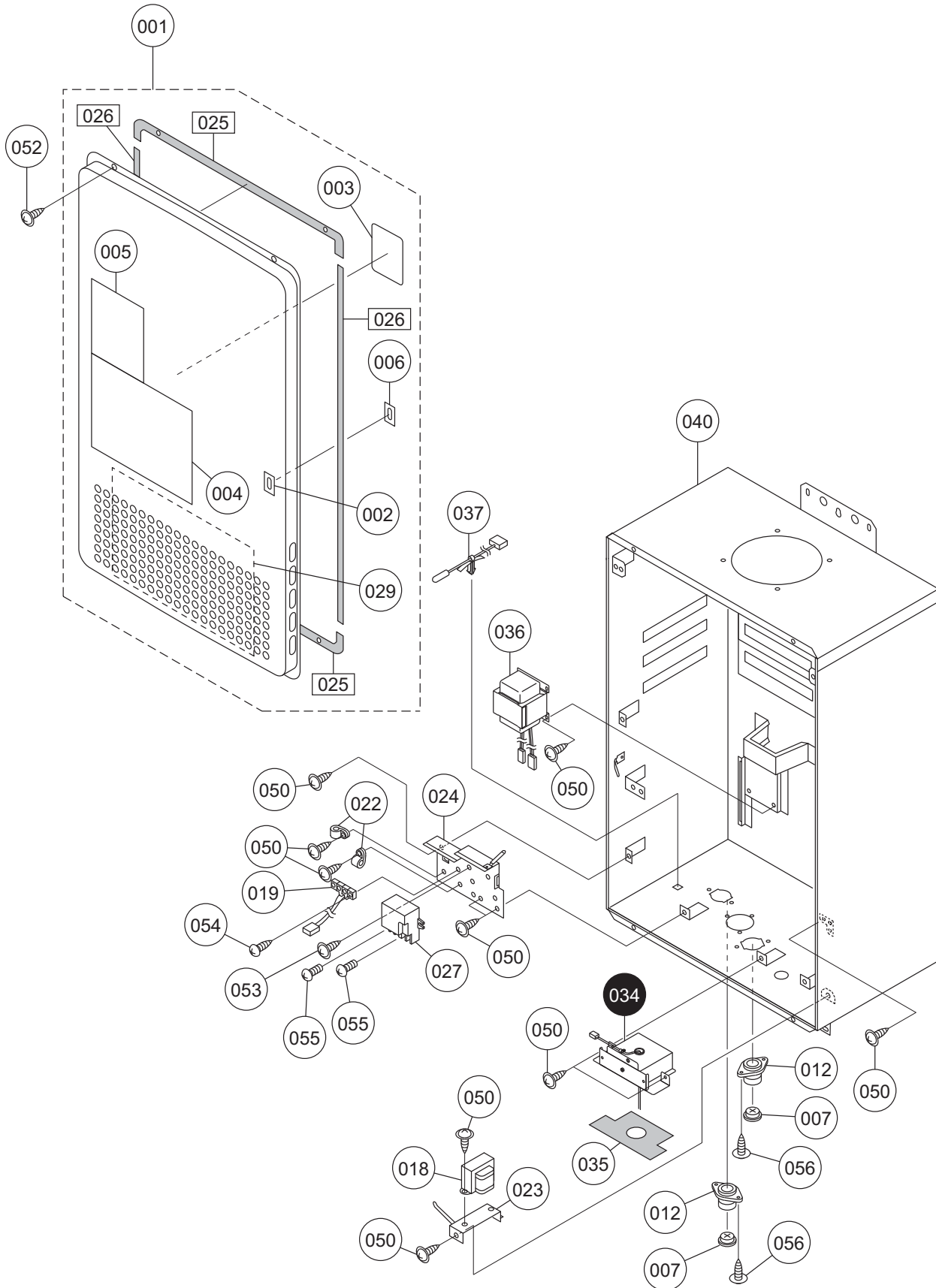


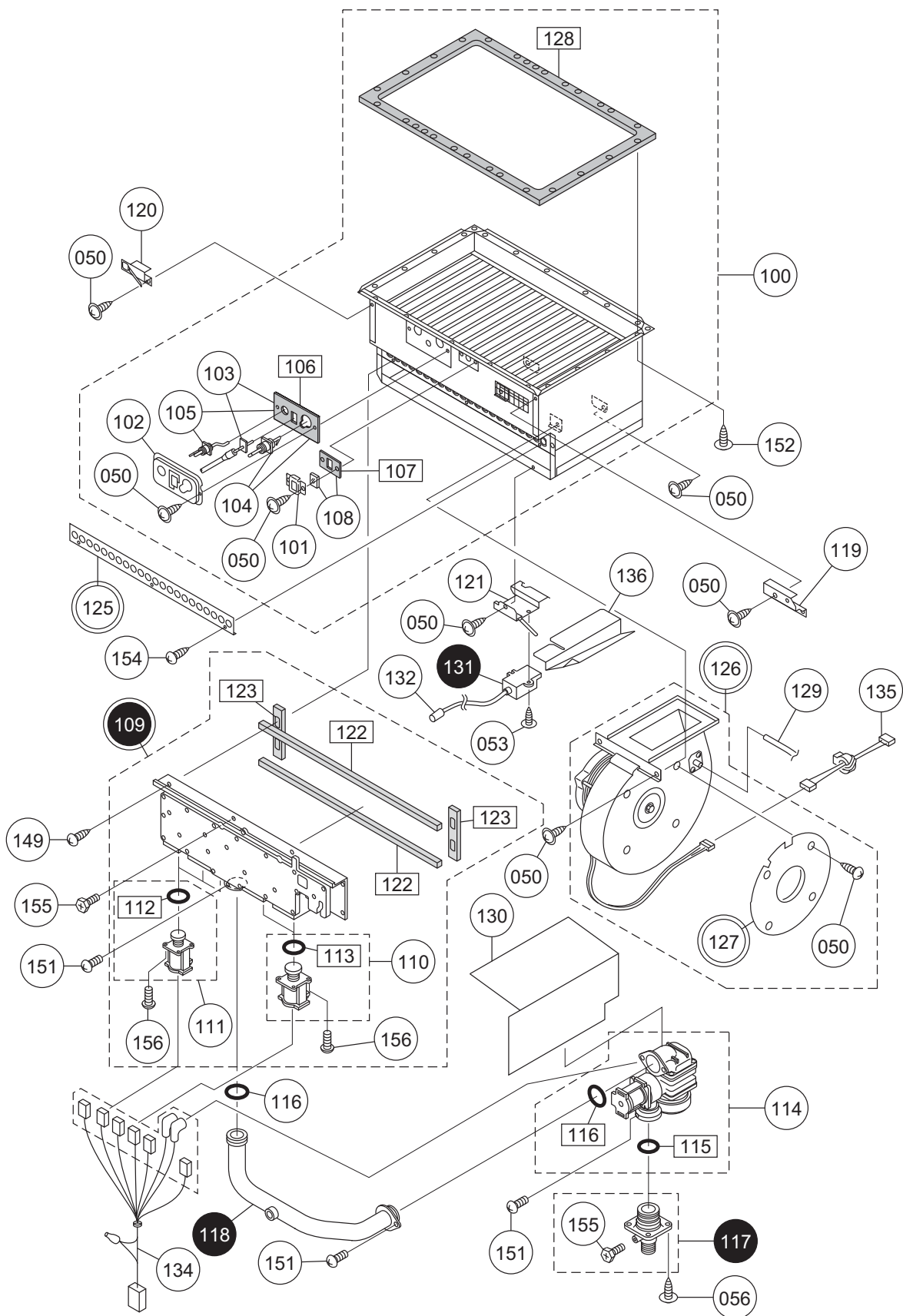
External outfitting



External outfitting

Part Nos.	Part Names	Order Nos.	Q'ty/unit
001	N-132M Front set-AS	SBP7387	1
002	Lamp seal plate DEC	DECK008	1
003	Plug insulation sheet CRU	CRUK002	1
004	Caution label 1 EAU	EAUK003	1
005	Caution label 2 EAU	EAUK004	1
006	Raintight seal plate BUB	BUBK004	1
007	Grommet CXP	CXPA026	2
012	Wiring coupling BXK	BXKA022	2
018	Reactor DMA	DMAJ015	1
019	Conduit 90-2 CCP	CCPJ028	1
022	Nylon clamp HP-4N (NK-4N)	7287909	2
023	Mounting plate for reactor DMA	DMAA019	1
024	Mounting plate for current leakage safety device DUV	DUVA016	1
025	Front packing H CMN	CMNL013	2
026	Front packing V CMN	CMNL014	2
027	Current leakage safety device DTJ	DTJJ015	1
029	Connection diagram label EJH	EJHK002	1
034	Junction box set EHU	EHUA008	1
035	Junction box packing EHU	EHUL002	1
036	Transformer EAU	EAUJ011	1
037	Air themistor BWC	BWCH003	1
040	Case EJH	EJHA001	1
050	Cross recessed round-head collar N-tapping screw 4X8		
052	Cross recessed truss type3 EVERTIGHT tapping screw with PW 4X12		
053	Cross recessed round-head collar N-tapping screw 4X12		
054	Cross recessed round-head N-tapping screw 4X12		
055	Cross recessed bind machine screw M3.5X6		
056	Cross recessed round-head collar type3 EVERTIGHT tapping screw 4X12		

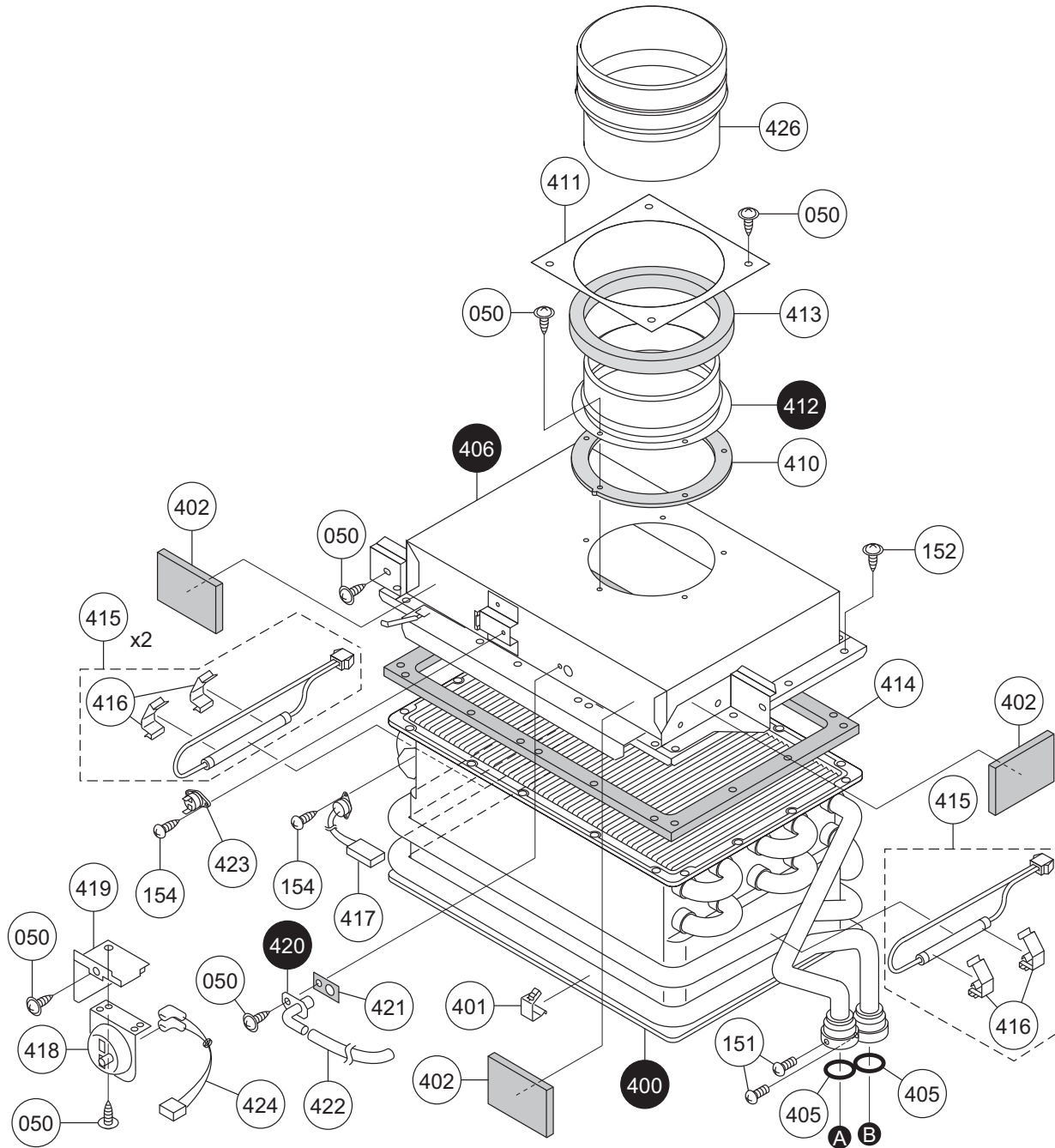
Combustion unit and gas route



Combustion unit and gas route

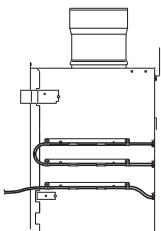
Part Nos.	Part Names	Order Nos.	Q'ty/unit
100	Combustion tube set DUV SET-V	SBC7549	1
101	Window glass holding plate AAA	AAAC027	1
102	Plug fixing plate(for N) DLK	DLKC009	1
103	Burner sensor DLK SET-V	SBA7505	1
104	Ignition plug & packing DLK SET-V	SBN7223	1
105	Flame rod DLK SET-V	SBA7506	1
106	Plug packing(for N) DLK	DLKL012	1
107	Window glass packing CRU	CRUL005	1
108	Window glassA packing CRU SET-V	SAQ7345	1
109	Manifold set T17 EJJ SET-AS	SBP7392	1<LPG>
	Manifold set T27 EJJ SET-AS	SBP7393	1<NGA>
110	Solenoid S24L CRU-1 SET-V	SBB7173	1
111	Solenoid S16 CRU SET-V	SBB7213	1
112	O-ring JASO 2030 type 1	SAA6044	3
113	O-ring JASO 2037 type 1A	SAA6476	2
114	Gas mech. S24DQ CRP SET-V	SAQ7708	1
115	O-ring JASO 2028A	8590109	1
116	O-ring P25.5	SAB1512	2
117	Gas fitting 20A set EJJ	EJHE001	1
118	Gas pipe set EAU	EAUE007	1
119	Fixing plate for burner case,right DMA	DMAA021	1
120	Fixing plate for burner case,left DMA	DMAA022	1
121	Mounting plate for igniter DMA	DMAA016	1
122	Manifold seal packing L DMA	DMAL018	2
123	Manifold seal packing S DMA	DMAL019	2
125	Main damper 8 DMA	DMAC032	1<LPG>
	Main damper 9 DMA	DMAC033	1<NGA>
126	Fan motor SET o56 DMB	DMBF025	1<LPG>
	Fan motor SET o52 EAU	EAUF002	1<NGA>
127	Bell-mouse o56 CKB	CKBF021	1<LPG>
	Bell-mouse o52 CKB	CKBF023	1<NGA>
128	Suction air joint packing DMA	DMAL001	1
129	Silicone tube ID6XT2X650 BVH	BVHF007	1
130	Gas mech. Cover DMA	DMAA025	1
131	Igniter CRP	CRPJ002	1
132	High-voltage cord 470	SAC1229	1
134	Conduit R10 EAU	EAUJ020	1
135	Conduit 27 DMA	DMAJ013	1
136	Waterproof cover EHA	EHA010	1
149	Cross recessed round-head type3 EVERTIGHT tapping screw 5X16		
151	Cross recessed round-head machine screw M4X8 ,black		
152	Cross recessed round-head collar N-tapping screw 4X10		
154	Cross recessed round-head N-tapping screw 4X8		
155	Cross recessed hexagon head machine screw M4X8		
156	Cross recessed round-head SPAK machine screw with guide M4X12		

Hot-water feed route 1

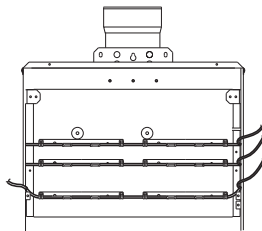


Thermal Fuse Connection procedure

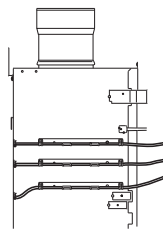
(Left side view)



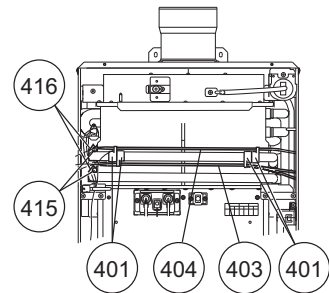
(Case rear)



(Right side view)



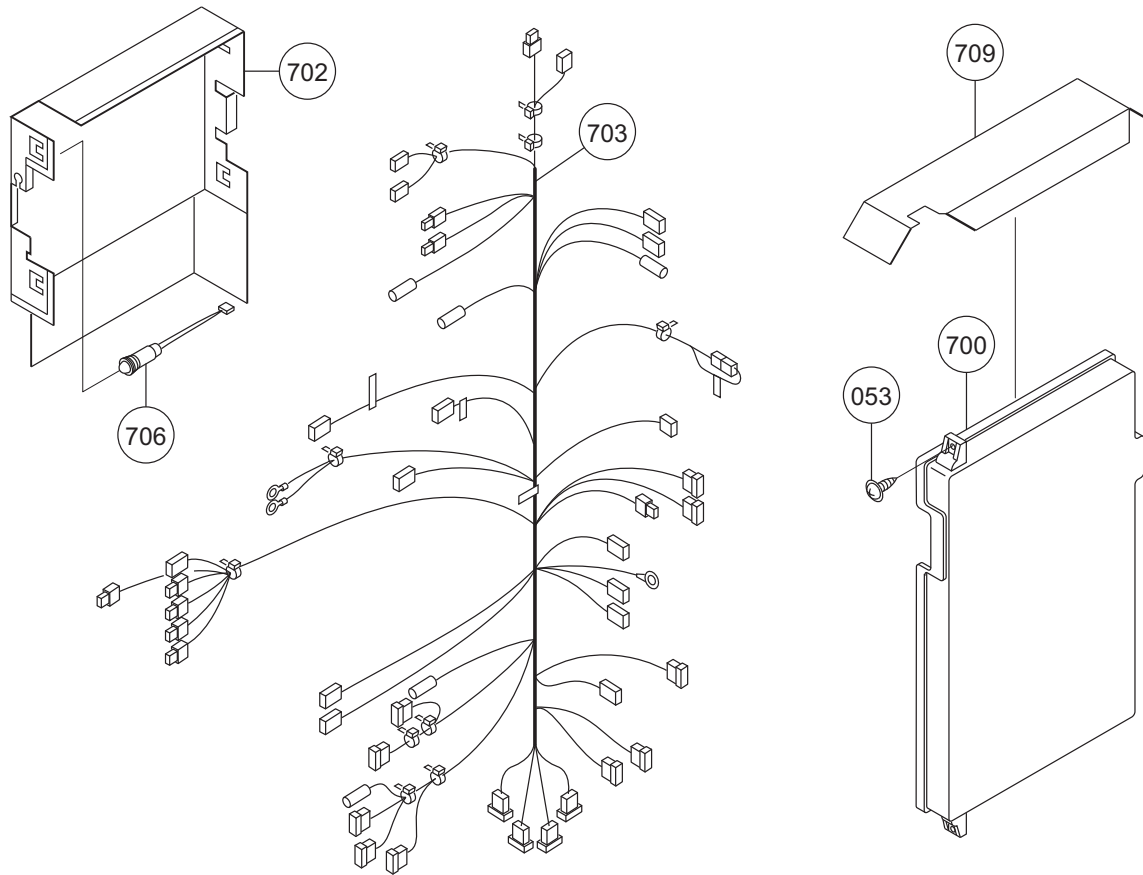
(Front view)



Hot-water feed route 1/Hot-water feed route 2

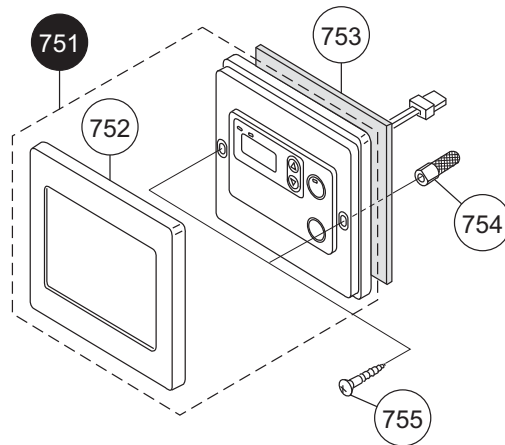
Part Nos.	Part Names	Order Nos.	Q'ty/unit
400	Heat exchanger DMA	DMAB001	1
401	Thermal fuse fastener DMA	DMAH002	4
402	Heat insulator DMB	DMBL004	3
403	Thermal fuse DFE 1 SET-V	SBA7650	1
404	Thermal fuse DMA SET-V	SBA7536	1
405	O-ring P20C	3059502	2
406	Exhaust box set DMB	DMBF001	1
410	Exhaust cylinder packing DMB	DMBL002	1
411	Case top cover DMB	DMBA006	1
412	Exhaust cylinder set DMB	DMBF002	1
413	Top cover packing DMB	DMBL001	1
414	Exhaust joint packing DMA	DMAL002	1
415	Freeze preventive heater CRP 1 SET-V	SBC7676	1
416	Heater fastener DMA	DMAH003	6
417	Remaining flame safety device 96 EHU	EHUH001	1
418	FFL wind pressure switch	1735705	1
419	Mouting plate for wind pressure switch DMB	DMBA010	1
420	Pressure sampling pipe DGG	DGGF011	1
421	Pressure sampling pipe packing CPL	CPLF029	1
422	Silicone tube ID6XT2X210 BVH	BVHF009	1
423	Thermostat BHV	BHVH002	1
424	Wind pressure switch relay cord EAW	EAWJ005	1
426	Exhaust adapter EJJ	EJHF001	1
427	Hot-water feed pipe EHA	EHAD003	1
428	Bypass coupling EHA	EHAD014	1
433	Water inlet pipe EHA	EHAD001	1
434	Water flow sensor set 1 DUV	DUVD017	1
435	Magnetic sensor BWC	BWCD093	1
440	Freeze preventive heater3 BGD	BGDH002	4
441	Heater fastener LL CPL	CPLL002	1
443	Water flow sensor set3 DUV	DUVD019	1
444	O-ring P4C	1323709	5
445	Shut-off cock AXG	AXGD089	2
446	Thermistor holding plate ALS	ALSD088	5
447	Water inlet thermistor BWC	BWCD097	1
448	Water outlet magnetic sensor BWC	BWCD090	1
449	Water inlet fitting 25A set EAU	EAUD001	1
450	Water inlet filter CCP	CCPD031	1
451	Water inlet fitting cover DMA	DMAD037	1
452	O-ring JASO 2030 type4 C	SAB4190	1
454	Hot-water resistant O-ring P3	SAD6633	1
458	Drain cock CRU	CRUD003	1
459	Branching fitting set EHA	EHAD012	1
462	Freeze preventive heater 2 BGD	BGDH005	1
464	Drain coupling EHA	EHAD013	1
465	Hot-water outlet fitting EJJ	EJHD001	1
466	QMF safety valve	SAA2811	2
467	O-ring P24C	1322109	1
468	Hot-water resistant O-ring P9	SAD6635	2
471	O-ring P16C	3223302	6
476	Waterproof cover CZL	CZLD041	2
477	Conduit 86 DZT	DZTJ008	1
478	Accumulator set DLW	DLWD001	1
480	Water flow servo set 1 DZT	DZTD010	1
481	Water flow servo set2 DZT	DZTD011	1

Electronic control unit

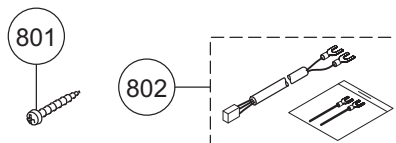


Remote controller

kitchen remote controller
(RC-7646M-2-USA)



Attached set



<Special part>

Special part	Special part no.
instruction manual	888

