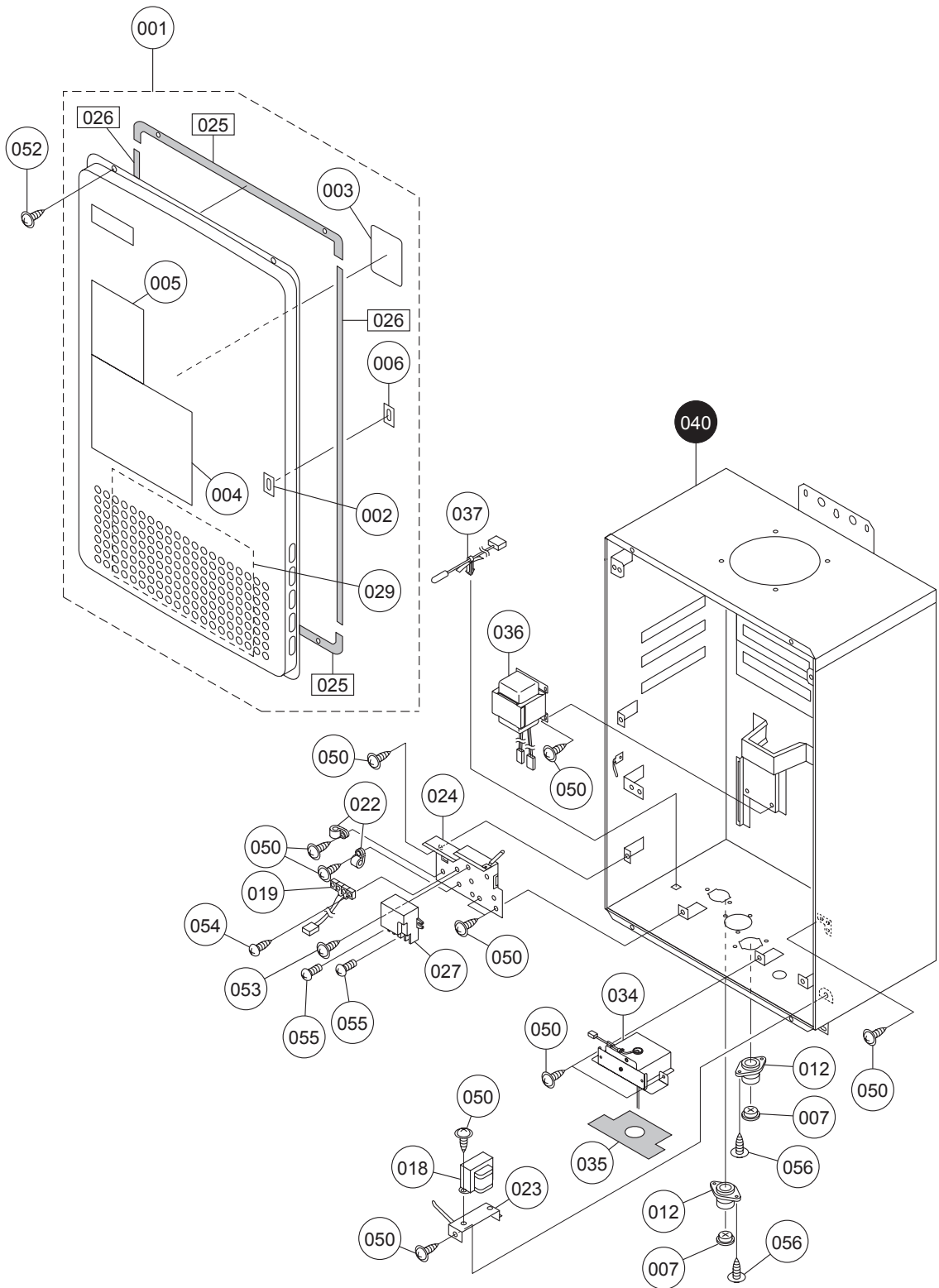
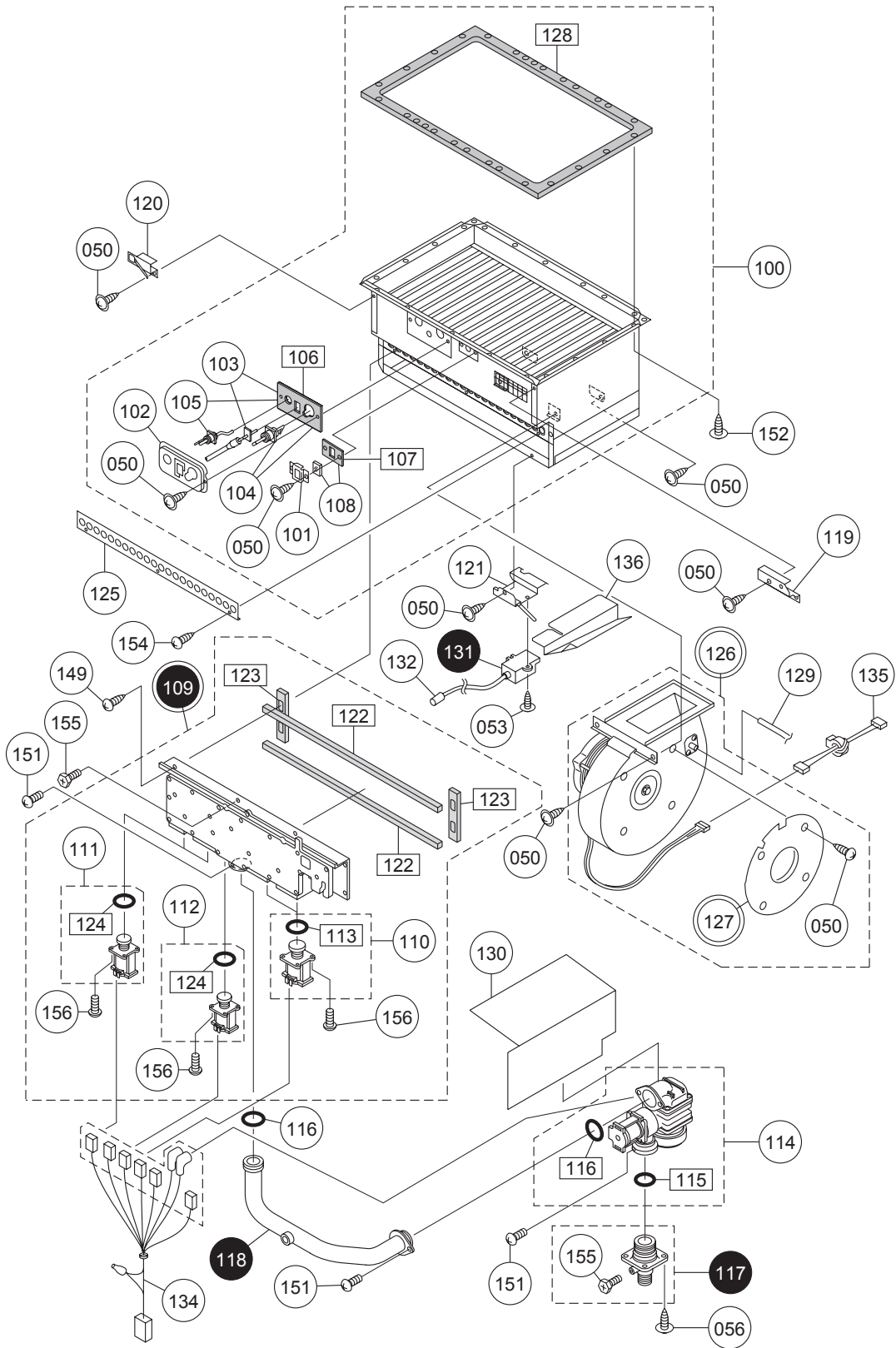


# External outfitting N-132M-ASME





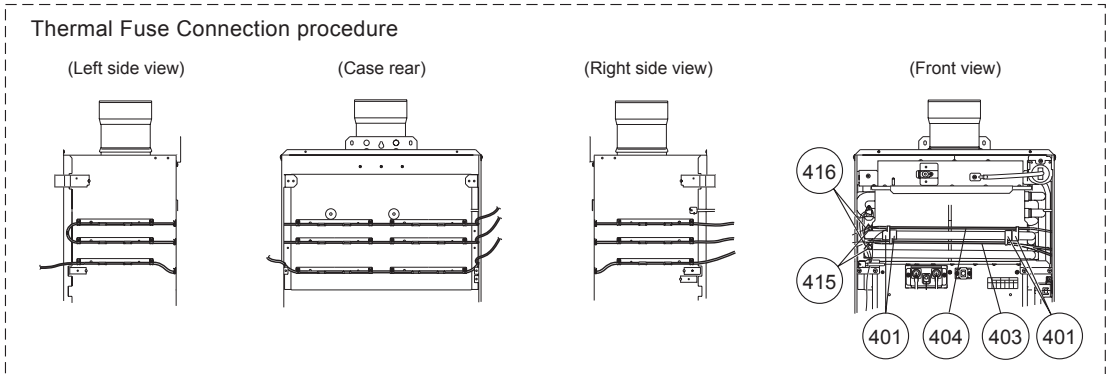
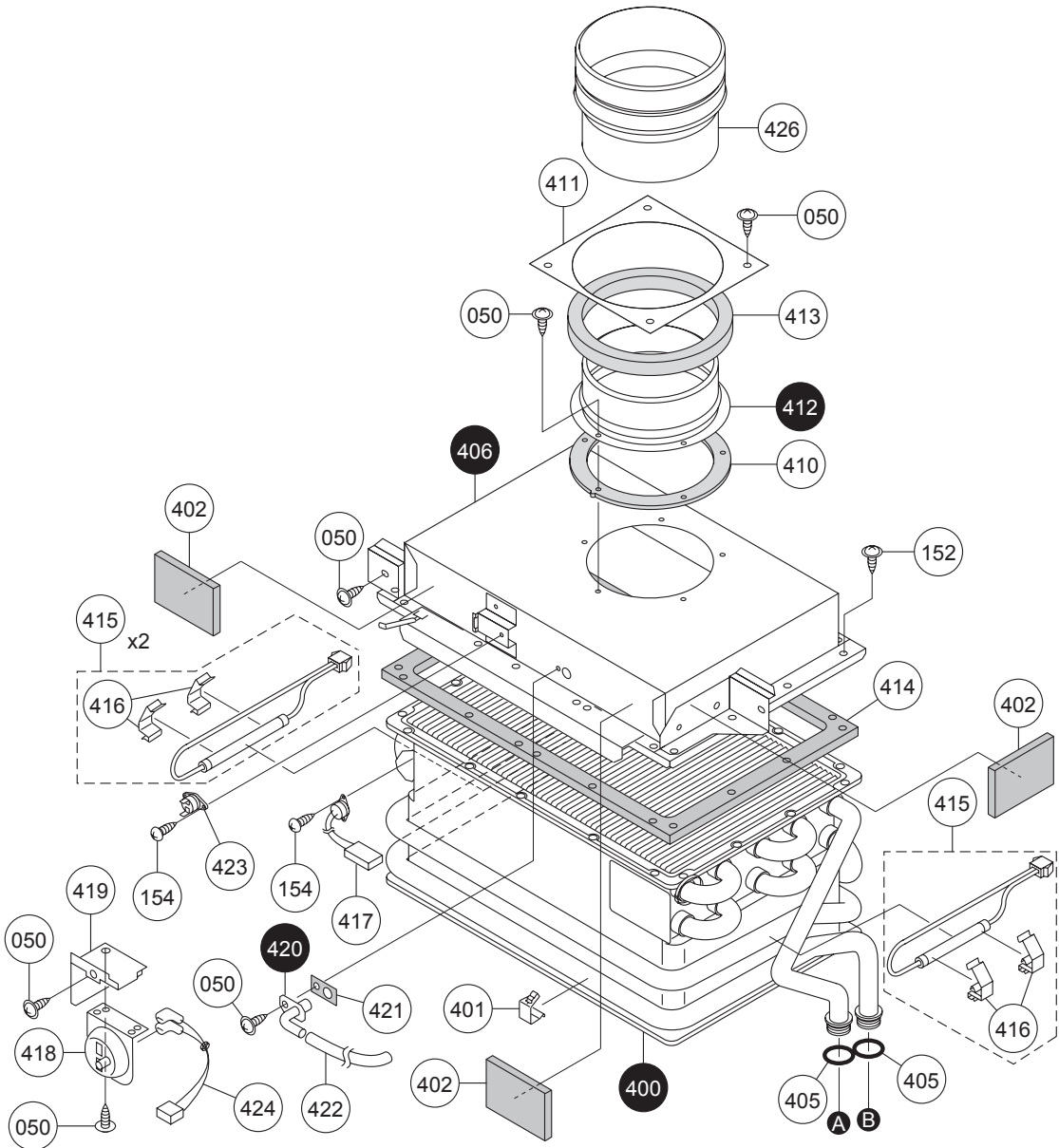
# Combustion unit and gas route N-132M-ASME



## Combustion unit and gas route N-132M-ASME

Part Nos.	Part Names	Order Nos.	Q'ty/unit
100	Combustion tube set DUV SET-V	SBC7549	1
101	Window glass holding plate AAA	AAAC027	1
102	Plug fixing plate (for N) DLK	DLKC009	1
103	Burner sensor DLK SET-V	SBA7505	1
104	Ignition plug & packing DLK SET-V	SBN7223	1
105	Flame rod DLK SET-V	SBA7506	1
106	Plug packing (for N) DLK	DLKL012	1
107	Window glass packing CRU	CRUL005	1
108	Window glassA packing CRU SET-V	SAQ7345	1
109	Manifold set T17 EJH SET-AS	SBP7392	1<LPG>
	Manifold set T27 EJH SET-AS	SBP7393	1<NGA>
110	Solenoid S24L CRU-1 SET-V	SBB7173	2
111	Solenoid S16 CRU SET-V	SBB7213	2
112	Solenoid S09L DTJ JASO SETV	SBC7744	1
113	O-ring JASO 2037 type 1A	SAA6476	2
114	Gas mech. S24DQ CRP SET-V	SAQ7708	1
115	O-ring JASO 2028A	8590109	1
116	O-ring P25.5	SAB1512	2
117	Gas fitting 20A set EJH	EJHE001	1
118	Gas pipe set EAU	EAUE007	1
119	Fixing plate for burner case, right DMA	DMAA021	1
120	Fixing plate for burner case, left DMA	DMAA022	1
121	Mounting plate for igniter DMA	DMAA016	1
122	Manifold seal packing L DMA	DMAL018	2
123	Manifold seal packing S DMA	DMAL019	2
124	O-ring JASO 2030 type 1	SAA6044	3
125	Main damper 8 DMA	DMAC032	1
126	Fan motor SET $\phi$ 56 DMB	DMBF025	1<LPG>
	Fan motor SET $\phi$ 52 EAU	EAUF002	1<NGA>
127	Bell-mouse $\phi$ 56 CKB	CKBF021	1<LPG>
	Bell-mouse $\phi$ 52 CKB	CKBF023	1<NGA>
128	Suction air joint packing DMA	DMAL001	1
129	Silicone tube ID6XT2X650 BVH	BVHF007	1
130	Gas mech. Cover DMA	DMAA025	1
131	Igniter CRP	CRPJ002	1
132	High-voltage cord 470	SAC1229	1
134	Conduit R10 EAU	EAUJ020	1
135	Conduit 27 DMA	DMAJ013	1
136	Waterproof cover EHA	EHAA010	1
149	Cross recessed round-head type3 EVERTIGHT tapping screw 5X16		
151	Cross recessed round-head machine screw M4X8		
152	Cross recessed round-head collar N-tapping screw 4X10		
154	Cross recessed round-head N-tapping screw 4X8		
155	Cross recessed hexagon head machine screw M4X8		
156	Cross recessed round-head SPAK machine screw with guide M4X12		

# Hot-water feed route 1 N-132M-ASME





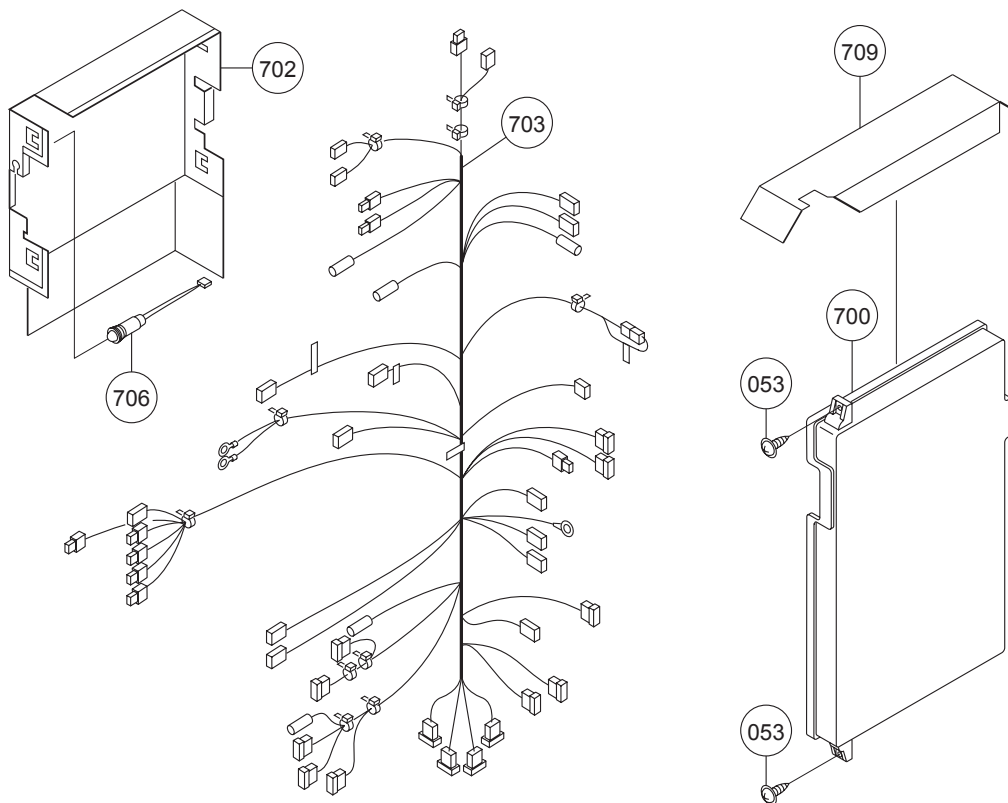
## Hot-water feed route 1/Hot-water feed route 2 N-132M-ASME

Part Nos.	Part Names	Order Nos.	Q'ty/unit
400	Heat exchanger set ELR SET-AS	SKB7098	1
401	Thermal fuse fastener DMA	DMAH002	4
402	Heat insulator DMB	DMBL004	3
403	Thermal fuse DFE 1 SET-V	SBA7650	1
404	Thermal fuse DMA SET-V	SBA7536	1
405	O-ring P20C	3059502	2
406	Exhaust box set DMB	DMBF001	1
410	Exhaust cylinder packing DMB	DMBL002	1
411	Case top cover DMB	DMBA006	1
412	Exhaust cylinder set DMB	DMBF002	1
413	Top cover packing DMB	DMBL001	1
414	Exhaust joint packing DMA	DMAL002	1
415	Freeze preventive heater CRP 1 SET-V	SBC7676	3
416	Heater fastener DMA	DMAH003	6
417	Remaining flame safety device 96 EHU	EHUH001	1
418	FFL wind pressure switch	1735705	1
419	Mouting plate for wind pressure switch DMB	DMBA010	1
420	Pressure sampling pipe DGG	DGGF011	1
421	Pressure sampling pipe packing CPL	CPLF029	1
422	Silicone tube ID6XT2X210 BVH	BVHF009	1
423	Thermostat BHV	BHVH002	1
424	Wind pressure switch relay cord EAW	EAWJ005	1
426	Exhaust adapter EJH	EJHF001	1
427	Hot-water feed pipe ELR	ELRD003	1
428	Bypass coupling EHA	EHAD014	1
433	Water inlet pipe ELR	ELRD001	1
434	Water flow sensor set 1 DUV	DUVD017	1
435	Magnetic sensor BWC	BWCD093	1
440	Freeze preventive heater 3 BGD	BGDH002	4
441	Heater fastener LL CPL	CPLL002	1
443	Water flow sensor set 3 DUV	DUVD019	1
444	O-ring P4C	1323709	5
445	Shut-off cock AXG	AXGD089	2
446	Thermistor holding plate ALS	ALSD088	5
447	Water inlet thermistor-300 BWC	BWCD097	1
448	Water outlet magnetic sensor BWC	BWCD090	1
449	Water inlet fitting 25A set EAU	EAUD001	1
450	Water inlet filter CCP	CCPD031	1
451	Water inlet fitting cover DMA	DMAD037	1
452	O-ring JASO 2030 type4 C	SAB4190	1
454	Hot-water resistant O-ring P3	SAD6633	1
458	Drain cock CRU	CRUD003	1
459	Branching fitting set EHA	EHAD012	1
462	Freeze preventive heater 2 BGD	BGDH005	1
464	Drain coupling EHA	EHAD013	1
465	Hot-water outlet fitting EJH	EJHD001	1
466	QMF safety valve A(S)	SAA2811	2
467	O-ring P24C	1322109	1
468	Hot-water resistant O-ring P9	SAD6635	2
471	O-ring P16C	3223302	6
476	Waterproof cover CZL	CZLD041	2
477	Conduit 86 DZT	DZTJ008	1
478	Accumulator set DLW	DLWD001	1
480	Water flow servo set 1 DZT	DZTD010	1
481	Water flow servo set 2 DZT	DZTD011	1

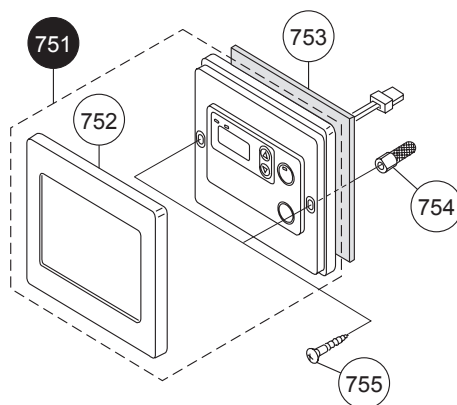




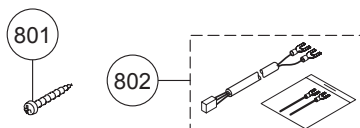
# Electronic control unit N-132M-ASME



## Remote controller kitchen remote controller (RC-7646M-2-USA)



## Attached set



<Special part>

Special part	Special part no.
Installation manual	888

