

Owner's Guide and Installation Manual

Model N-084M-DV-ASME

WARNING: If the information in this manual is not followed exactly, a fire or explosion may result causing property damage, personal injury or death.

- Do not store or use gasoline or other flammable vapors and liquids in the vicinity of this or any other appliance.
- **WHAT TO DO IF YOU SMELL GAS**
 - Do not try to light any appliance.
 - Do not touch any electrical switch; do not use any phone in your building.
 - Immediately call your gas supplier from a neighbor's phone. Follow the gas supplier's instructions.
 - If you cannot reach your gas supplier, call the fire department.
- Installation and service must be performed by a qualified installer, service agency or the gas supplier.



Low NOx
Approved by
SCAQMD

Thank you for purchasing this Noritz Gas Water Heater. Before using, please: Read this manual completely for correct installation and operation instructions. Completely fill out the warranty registration card (included separately) and mail the detachable portion to Noritz America Corporation. Keep this manual (and the remainder of the warranty registration card) where it can be found whenever necessary.

NORITZ America Corporation



Contents

Contents	2
Owner's Guide	
Important Safety Information	3
General Parts	
Main Unit	8
Remote Controller	9
Initial Operation	11
Setting and Using the Water Heater	12
Flow Meter Alarm	14
Muting the Remote Controller	16
Preventing Damage from Freezing	17
Regular Maintenance	19
Troubleshooting	21
Follow-up Service	25
Specifications	26
External Outfitting	27
Combustion Unit and Gas Route	29
Hot-Water Feed Route	31
Electronic Control Unit	33
Electronic Control Unit, Remote Controller and Attached Set	34
Installation Manual	35
1. Included Accessories	36
2. Optional Accessories	36
3. Quick Connect Multi System Installation	37
4. Before Installation	38
5. Choosing Installation Site	39
6. Installation Clearances	40
7. Installation	42
8. Vent Pipe Installation	42
9. Gas Piping	46
10. Water Piping	48
11. Plumbing Applications	49
12. Electrical Wiring	50
13. Maintenance	54
14. Trial Operation	54
15. Dimensions and Wiring Diagram	55
16. Multi-System	57
Remote Controller Installation Guide	61




Important Safety Information-1

To prevent damage to property and injury to the user, the icons shown below will be used to warn of varying levels of danger.







Every indication is critical to the safe operation of the water heater and must be understood and observed.

Potential dangers from accidents during installation and use are divided into the following three categories. Closely observe these warnings; they are critical to your safety.

Icons warning of risk level

	Danger	Denotes content that may result in instantaneous fire, serious injury and even death when ignored.
	Warning	Denotes content that may result in fire, serious injury and even death when ignored.
	Caution	Denotes content that may result in bodily injury and physical damage when ignored.
Remarks		The content following this icon is necessary to understand for safe and easy use of this water heater.

Other icons

	Electric Shock.		High Temperature.		Be sure to do.		Ground.		
	Prohibited		No flame.		Don't touch.		Don't disassemble the equipment.		Don't touch with a wet hand.

Danger

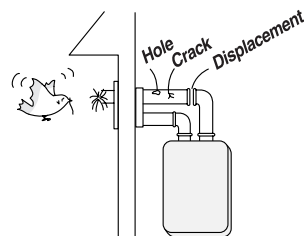


If you detect a gas leak:

1. Do not try to light any appliance
2. Do not touch any electrical switch; do not use any phone in your building.
3. Immediately call your gas supplier from a neighbor's phone. Follow the gas supplier's instructions.
4. If you cannot reach your gas supplier, call the fire department.



Do not use the water heater if the intake/exhaust pipe is displaced, has holes, or is corroded.



Important Safety Information-2

Warning



If you detect abnormal combustion or abnormal odors, or during an earthquake, tornado or fire:

1. Turn off the hot water supply
2. Turn off the power to the water heater
3. Turn off gas and water at the main
4. Consult the nearest Noritz agent



Check the temperature of the running hot water before entering the shower.



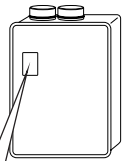
Check the temperature before stepping into the bath tub.





Do not turn off the water heater or change the water temperature while someone is using.



Be sure the gas/power supplied matches the gas on the rating plate.



For Natural Gas

Direct Vent Automatic Instantaneous Water Heater		
NORITZ AMERICA CORPORATION		
25172 Arctic Ocean Dr. Suite 102 Lake Forest CA 92630		
Tel : (949)420-0409		
Model : N-084M-DV-ASME		
Type of Gas : Natural Gas		
BTU Input : Max.236,000~Min.21,000		
Recovery Rate : 234 Gallons/Hour		
Inlet Gas Pressure : Min. 5~Max.10.5inches		
Manifold Gas Pressure : Min.0.94~Max. 2.3inches		
Electrical Rating : AC 120 Volts 60Hz		
Max. : Min. 15psi~Max. 150psi		



Do not allow small children to play unsupervised in the bathroom.
Do not allow small children to bathe unsupervised.



Consult the nearest Noritz agent if the water heater location needs to be changed.



Contact a qualified service technician for any necessary repairs, service or maintenance.

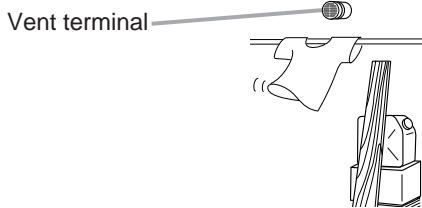


Contact Noritz before using with a solar pre-heater.

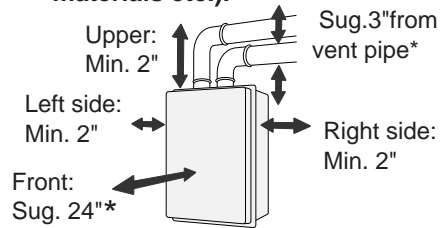
Warning



Do not place combustibles such as laundry, newspapers, oils etc. near the heater or the exhaust vent terminal.



Leave the proper clearance between the water heater and nearby objects (trees, timber, boxes with flammable materials etc.).



* Indicates suggested clearances for maintenance.



Do not use combustible chemicals such as oil, gasoline, benzene etc. in the vicinity of the heater or the exhaust vent terminal.



Do not place or use a spray can near the heater or the exhaust vent terminal.

Important Safety Information-3

Caution



Be sure to electrically ground the unit.



Do not touch the power cord with wet hands.



Keep power cord free of dust.



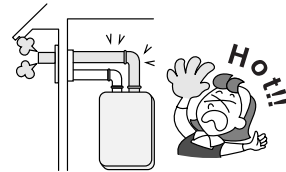
Do not use a broken or modified power cord. Do not bind, bend or stretch power cords. Do not scratch, modify, or subject them to impact or force.



Do not use the water heater for other than hot water supply, shower and bath.



Do not touch the exhaust vent pipe during or immediately after operation of the water heater.



Do not use hair spray or spray detergent in the vicinity of the heater.



If this unit will be installed in a salon or other location where hair spray or aerosols will be used, locate the unit away from where these products are used.



Do not install in locations where excessive dust or debris will be in the air.

Remark

Do not drink water that has been inside the unit for an extended period of time. Do not drink the first use of hot water from the unit in the morning.

Clean the filter on the water inlet as frequently as required by the quality of your local water.

Keep the area around the unit clean.

If boxes, weeds, cobwebs, cockroaches etc. are in the vicinity of the unit, damage or fire can result.

Do not install the equipment where the exhaust will blow on walls or windows.

Treat hard, acidic or otherwise impure supply water with approved methods to ensure full warranty coverage.

Problems resulting from scale formation are not covered by the warranty.

Check ignition during use and extinction after use.

This unit is only approved for installation up to 4500 ft. above sea level.

For installations at higher elevations, contact Noritz America for instructions.

Do not use parts other than those specified for this equipment.

Do not disassemble the remote controller.

Do not use benzene, oil or fat detergents to clean the remote controller.

This may cause deformation.

Do not get the remote controller wet.

Although it is water resistant, too much water can cause damage.

Do not splash water on the remote controller. Do not expose the remote controller to steam.

Do not locate the remote controller near stoves or ovens, this may cause damage or failure.

Preventing damage from freezing (☞p.17)

Damage can occur from frozen water within the device and pipes even in warm environments. Be sure to read below for appropriate measures. Repairs for damage caused by freezing are not covered by the warranty.

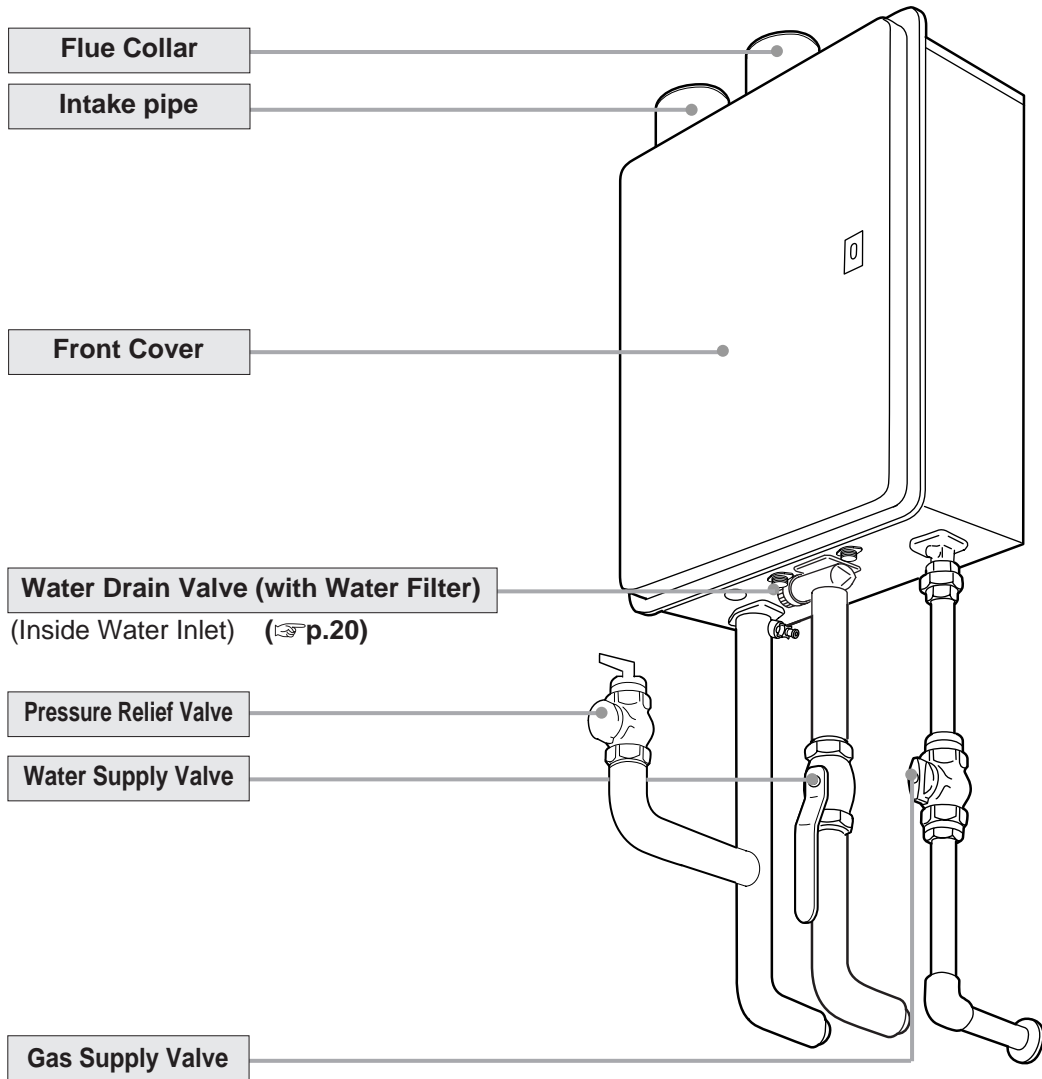
Take necessary measures to prevent freezing of water and leakage of gas when leaving the unit unused for long periods of time. (☞p.18)

If it is snowing, check the exhaust gas vent and exhaust vent terminal for blockage.

General Parts

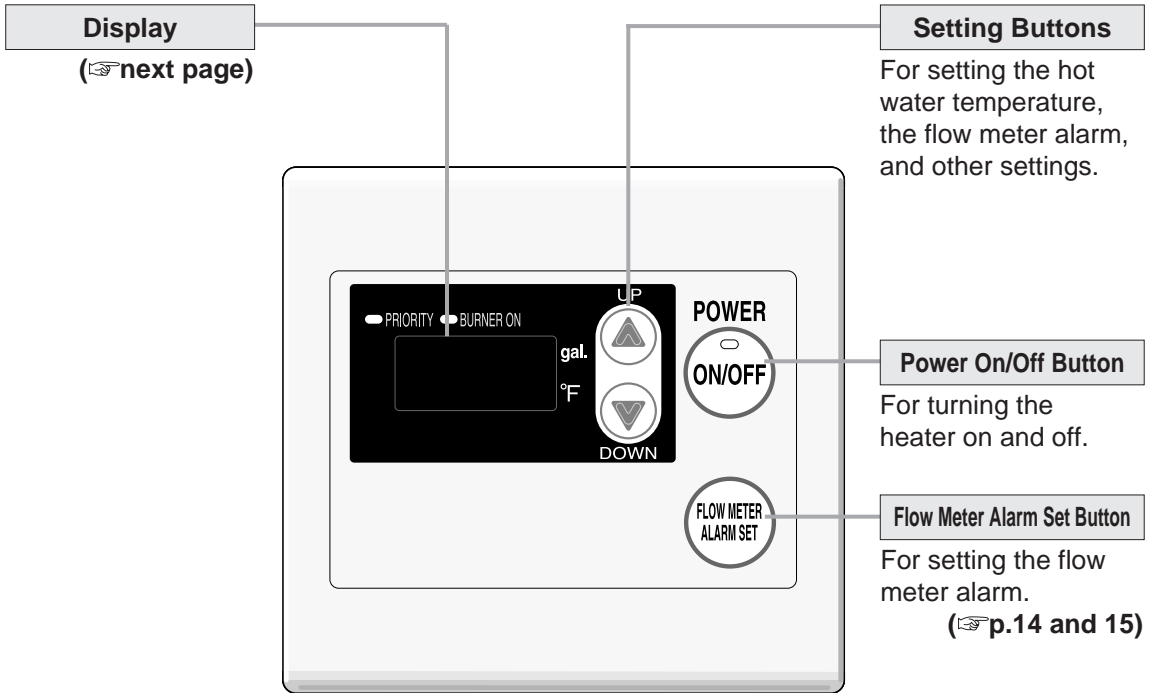
Main Unit

Indoor Wall Mounted, Power Vented Model



* The above illustration shows an example of installation.
The exact installation configuration may be slightly different.

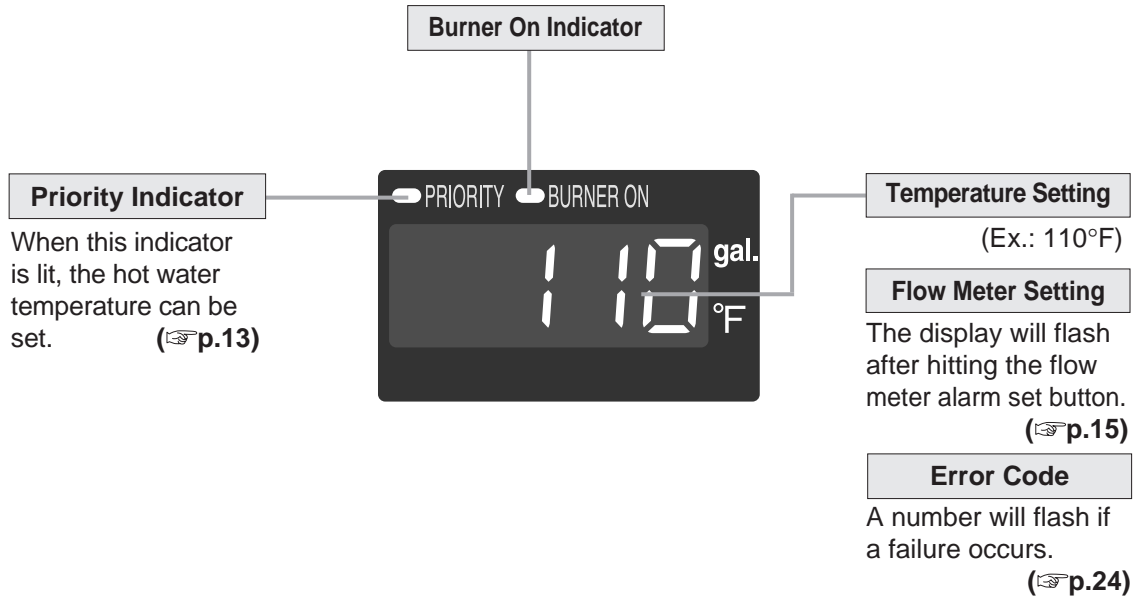
Remote Controller (RC-7646M-2)



- * Before use, remove the protective sheet from the remote controller surface.
- * The unit has been shipped from the factory with the remote control set at 110°F.

Display

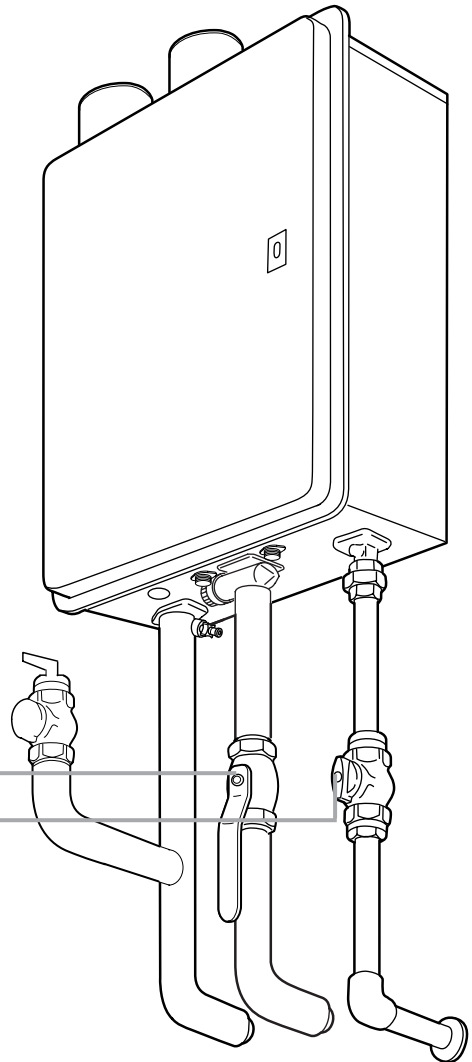
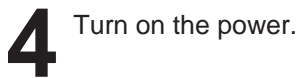
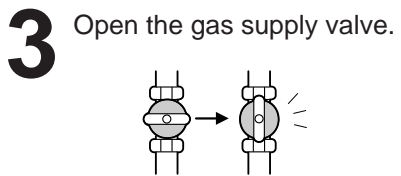
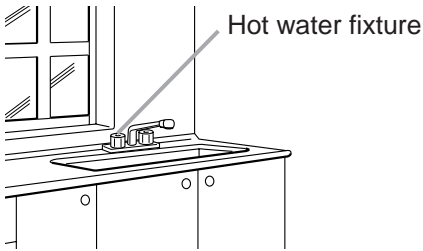
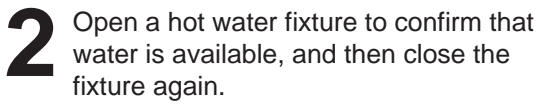
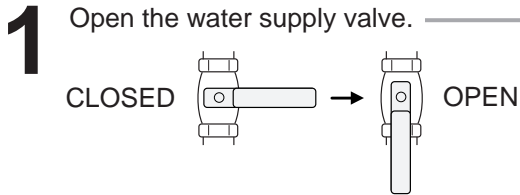
The illustration below shows the remote controller display. What is actually displayed depends on how the water heater is set.



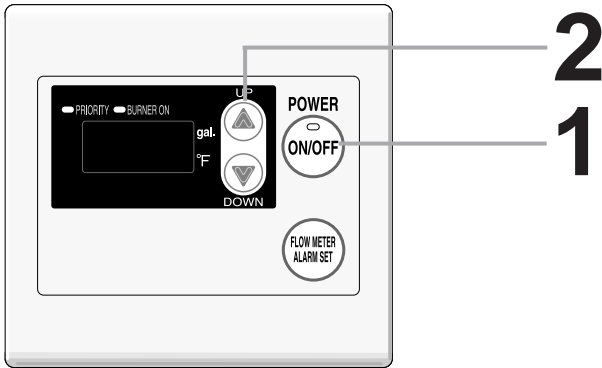
Initial Operation

Before the first use of your water heater, make the following preparations.

Follow steps **1 through 4**.

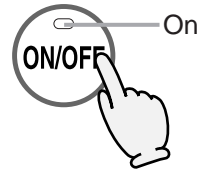


Setting and Using the Water Heater



(Starting with the Power Off)

1 Press the Power On/Off Button.



The temperature will be displayed on the remote control thermostat.



Previous set temperature
(Ex.: 110°F)

Caution



To prevent scalding:

High Temperature

Temperatures above 125 °F can scald.

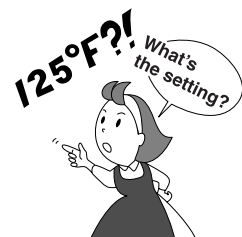
- Check the water temperature by hand before bathing or showering.
- When setting the unit to 125°F or higher, the temperature display will flash for 10 seconds as a high temperature warning.
- Take caution when using the unit again after setting to 125°F or higher. Always check the set temperature before use.
- Do not allow anyone to change the water temperature while hot water is running.



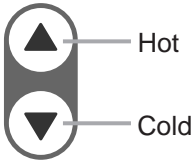
Remote Controller Display



Flashes for 10 sec



2 Set temperature. (Always check the temperature setting before use.)



Check the indicator lights.



Water temperature



3 Turn on hot water.



On



4 Turn off the hot water.



Off



(°F: The temperature settings below are examples. The temperature setting necessary depends on the usage, the length of piping and the time of year.)

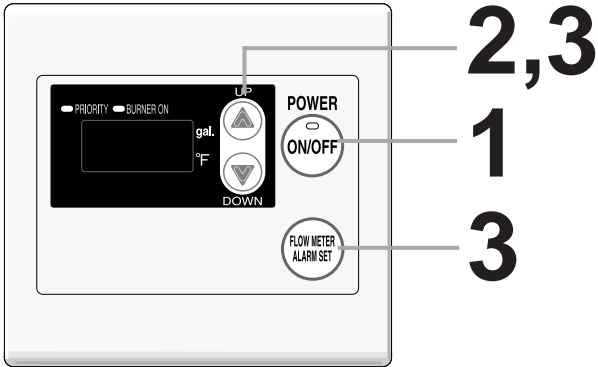
100	105	110	115	120	125	130	135	140	145	150	160	170	180
Washing dishes, etc.	Shower, hot water supply, etc.		High temperature										

*Initial factory setting is 110°F

If fixtures incorporate mixing valves, set the temperature higher than usual.

- * For most residential applications, the recommended setting temperature is 120°F or less. For applications that occasionally require a higher temperature setting, locate the remote controller in a convenient location (→ p.61).
- * Consult local codes for minimum operating temperatures.

Flow Meter Alarm

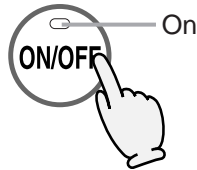


(Starting with the power off)

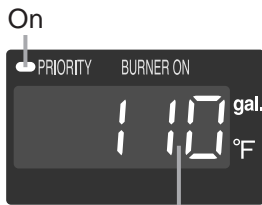
Preparation

1. Plug the bath drain.

1 Press the Power On/Off Button

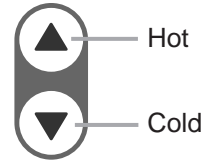


The temperature will be displayed on the remote control thermostat.



Previous set temperature (example: 110°F)

2 Set temperature. (Always check temperature setting before use.)



Check the indicator lights.



Water temperature

An alarm will sound for ten seconds when the flow reaches the set level.



The water will continue to run unless it is manually turned off.

Water Temperature

(°F: The temperatures settings below are only examples. The temperature setting necessary will depend on the usage, the length of piping and the time of year.)

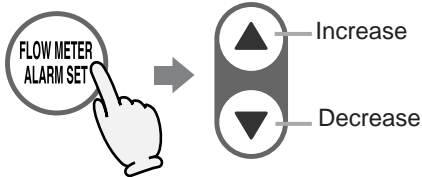
100	105	110	115	120
Warm	Warmer		Hot	

* Initial factory setting: 110°F

To set the flow meter alarm:

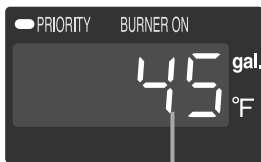
3 Adjust flow meter alarm setting.

Press the flow meter alarm set button (the setting will flash on the display) and adjust with the setting buttons.



Choose the flow meter alarm setting from the following options: 10 - 60 (In 5 gallon intervals), 70 - 100 (In 10 gallon intervals), or 990 gallons.

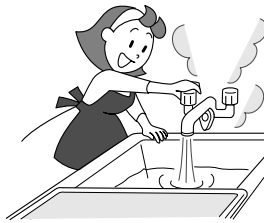
Note: The alarm will not sound if it is set for 990 gal.



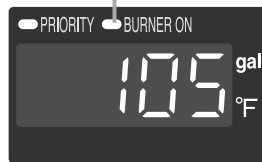
Flow meter setting will be flashing (ex. 45 gal.)

- * The level can only be adjusted while the indicator is flashing.
- * After ten seconds, the remote will again display the temperature.

4 Turn on hot water.

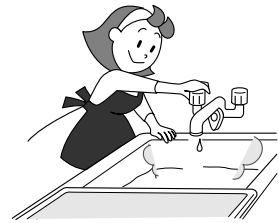


On



5 Turn off the hot water when the alarm sounds.

The alarm will sound when the set level has been reached. Stop the water.



Note: The alarm will not sound if it is set for 990 gal.

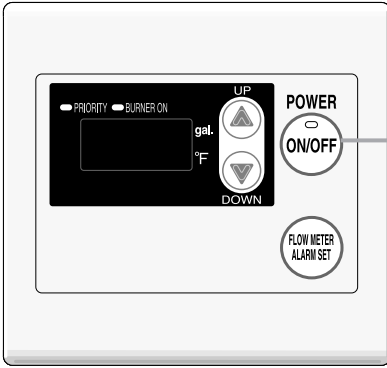
Off



If the flow meter alarm is being used to indicate when a tub is full:

- If any hot water is being used besides what is going into the tub, the alarm will sound before the tub is full.
- If there was water in the tub before the fill began, or if the water is not shut off manually when the alarm sounds, the tub may overflow.
- If there was water in the tub before the fill began, the temperature in the tub after it is full may be different from the temperature setting.

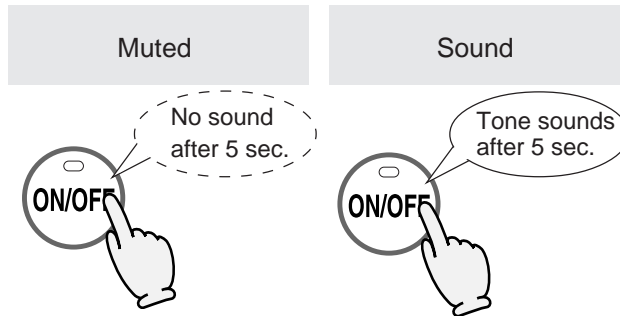
Muting the Remote Controller



The remote controller will emit a sound when any button is pushed. This sound can be muted if it is desired.

* Initial factory setting is with sound.

1 With the remote controller off, hold the Power On/Off Button for five seconds.



The flow meter alarm cannot be muted.

Preventing Damage from Freezing-1

Remarks

- * Damage can occur from frozen water within the device and pipes even in warm environments. Be sure to read below for appropriate measures.
- * Repairs for damage caused by freezing are not covered by the warranty.

Freezing is prevented within the device automatically by the freeze-prevention heater

Freezing cannot be prevented when the power is disconnected. Do not remove the power plug from the wall outlet.

(Freezing will be prevented regardless of whether the operation switch is ON or OFF.)

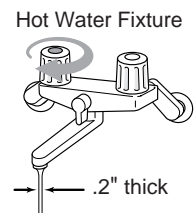
- * The freeze prevention heaters will not prevent the plumbing external to the unit from freezing. Protect this plumbing with insulation, heat tape or electric heaters, solenoids, or pipe covers. If there remains a freezing danger, contact the nearest Noritz agent.

Take the measures below for extremely cold temperatures*.

*(outside temperature including wind chill factor less than 5°F)

This method can protect not only to the heater, but also to the water supply, water piping and mixing valves.

1. Turn the unit on with the Power Button on the Remote Controller.
2. Close the gas supply valve.
3. Open a hot water fixture and let it run for approx. 1 minute, and then check that the number 11 is flashing on the remote controller display.
 - * If multiple units are being used, drain one minute for each unit.
 - * It is possible that a different number may be displayed on the remote controller, but as long as it is flashing, you may continue.
4. Partially close the hot water fixture, but keep a small amount of hot water running. (.1 gal./minute or about .2" thick.)
 - * If there is a mixing valve, set it to the highest level.
 - * When linking multiple units, discharge water equivalent to .1 gal./minute per unit.
5. The flow may become unstable from time to time. Check the flow 30 minutes later.



- * Remember to set mixing valves and fixtures to their original levels before using the unit again to prevent scalding.
- * If there is still a chance that the unit will freeze, drain the unit as on the next page.

If water will not flow because it is frozen:

1. Close the gas and water valves.
2. Turn off the power button.
3. Open the water supply valve from time to time to check whether water is running.
4. When the water is flowing again, check for water leaks from the equipment and piping before using.

If the heater or the piping is frozen, do not use the heater or it may get damaged.

Preventing Damage from Freezing-2

If the water heater will not be used for a long period of time, Drain the water.

Drain the water as follows:



Caution

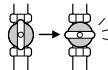


High Temperature

To avoid burns, wait until the equipment cools down before draining the water. The appliance will remain hot after it is turned off.

Drain water into a bucket to prevent water damage.

1. Close the gas valve.



2. (1) Turn the power on.

- (2) Turn and leave open the hot water fixture for more than 1 minute and close.

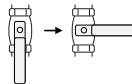
*If multiple units are being used, drain one minute for each unit.



* An 11 Error Code may appear on the remote control.

This is not a malfunction of the unit. Do not turn Power ON/OFF Button OFF.

3. Close the water supply valve, disconnect the electrical power supplied to the unit.



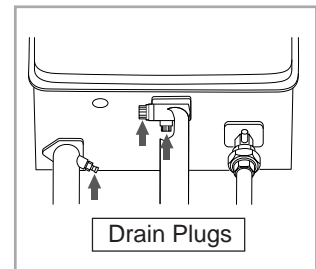
Do not touch with wet hands.

4. Fully open all hot water fixtures.



5. Open all drain plugs and drain the water out of the unit.

6. When the water is completely drained, replace all drain plugs and close the hot water fixtures.



Turning the Unit Back On

1. Check that all drain plugs are inserted.
2. Check that all hot water fixtures are closed.
3. Follow the procedure on p.11 "Initial operation", steps 1 through 4.

Regular Maintenance-1

Periodic Inspection



Caution



High Temperature

To avoid burns, wait until the equipment cools down before draining the water. The appliance will remain hot after it is turned off.

Check

For laundry, newspaper, timber, oil, spray cans and other combustible materials. (→p.5)

Check

For dust and soot in the flue terminal.

Check

For abnormal sounds during operation.

Check

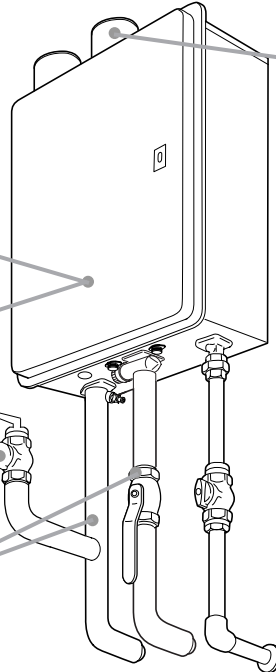
For abnormalities in external appearance, discoloration or flaws.

Check

For proper operation of pressure relief valve.

Check

For water leaks from the equipment and piping.



Periodic Maintenance

Equipment

Wipe the outside surface with a wet cloth, then dry the surface. Use a neutral detergent to clean any stains.

Remote Controller

Wipe the surface with a wet cloth.

- Do not use benzene, oil or fatty detergents to clean the remote controller; deformation may occur.
- The remote controller is water resistant but not water proof. Keep it as dry as possible.

Regular Maintenance-2

Periodic Maintenance

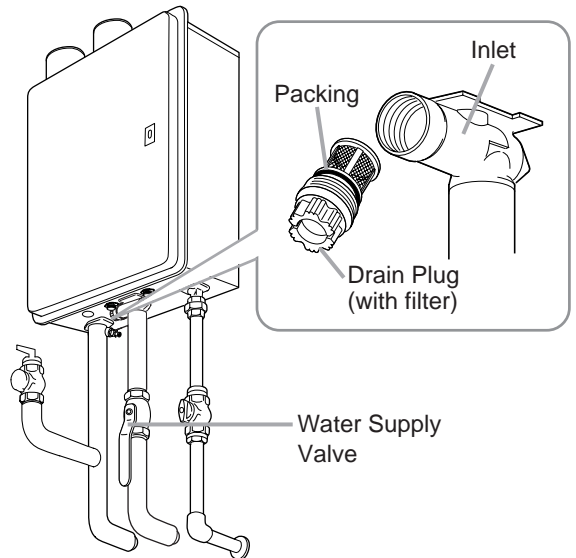
Water Drain Valve (with Water Filter)

If the water drain valve (with water filter) is covered with debris, the hot water may not run smoothly, or the unit may put out cold water. Check and clean the filter as explained below.

* **To avoid burns, wait until the equipment cools down before draining the water.**
The appliance will remain hot after it is turned off.

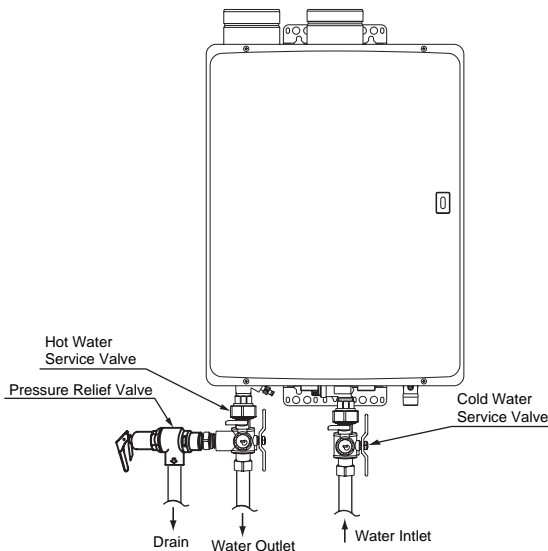
* Water will be discharged from the drain plug.
Place a container, etc. to receive the discharged water.

1. Close the water supply valve.
2. Open all hot water fixtures.
3. Remove the inlet and outlet drain plugs (about 0.3 gal. will drain out)
4. Take the water drain valve (with water filter) out of the inlet. (See illustration to right).
5. Clean the water drain valve (with water filter) with a brush under running water.
6. Replace the water drain valve (with water filter). (Take care not to lose the packing.)
7. Close all hot water fixtures.
8. Open the water supply valve and check that water does not leak from the drain plugs or water drain valve (with water filter).



Optional Maintenance

Water Heater Service Valves (IK-WV-2)



* Isolator valve kits may be purchased as an accessory from Noritz (Part #IK-WV-2). They allow for one man full diagnostic testing and easy flushing of the system.

* The kit includes two full port isolation valves and a pressure relief valve for the hot side. Contact Noritz for more information.

Troubleshooting-1

Initial Operation

Unit does not attempt to ignite when water is running.

- Is water running?
- Check for reversed plumbing or crossed pipes.
- Check the water drain valve filter. (☞p.20)

Unit attempts to ignite but fails

- Reset unit and try again. There may be air in the gas line.
- Have a professional check the gas supply pressure.

Temperature

Hot water is not available when a fixture is opened.

- Are the gas and water supply valves fully open?
- Is the water supply cut off?
- Is the hot water fixture sufficiently open?
- Is the gas being cut off by the gas meter ?
(Can other gas devices such as stoves be used?)
- (For LP) Is there enough gas in the tank?
(Can other gas devices such as stoves be used?)
- Is the water drain valve filter clogged? (☞p.20)
- Is the power button turned on?

No water is available when a fixture is opened.

- Is the water supply cut off?
- Is the heater frozen?

The hot water is not the correct temperature.

- Is the hot water fixture sufficiently open?

Water takes time to become hot when turning the hot water fixture.

- Have you allowed enough time for the cold water in the pipes to drain out?

The water is too hot.

- Are the gas and water supply valves fully open?
- Is the water temperature setting appropriate?
(☞p.12 and p.13)
- If the water supply temperature is high, it is possible for the temperature to be higher than the temperature set on the remote controller.
- If only a small amount of hot water is demanded, it is possible for the temperature to be higher than the temperature set on the remote controller.
- If the supply water goes through a solar pre-heating system, it is possible for the temperature to be higher than the temperature set on the remote controller.

Troubleshooting-2

Temperature

The water is not hot enough.	<ul style="list-style-type: none">• Are the gas and water supply valves fully open?• Is the water temperature setting appropriate? (☞ p.12 and p.13)• If the amount of hot water required is very high, it is possible for the temperature to be lower than the temperature set on the remote controller. Decrease the amount of water passing through the unit and the temperature should stabilize.
The water is cold when only a single fixture is open.	<ul style="list-style-type: none">• The unit will not heat the water if the flow rate is less than 0.7 gallons per minute. Open the fixture more or open other fixtures so that a greater flow passes through the unit, and the unit should begin heating again.
Fluctuations in hot water temperatures.	<ul style="list-style-type: none">• Set water temperature at 115°F to 120°F. This will allow you to use a higher flow of hot water thus meeting the minimum flow requirement of 0.7 gpm.• Clean the water filter of any debris (☞ p. 20)

Amount of Hot Water

The amount of hot water at a certain fixture is not constant.	<ul style="list-style-type: none">• When hot water is demanded at other fixtures, the amount available may be reduced. The maximum flow available from this unit is 8.4 GPM at a 45°F temp. rise.• Pressure fluctuations and other plumbing conditions can cause the temperature and pressure at a fixture to be unstable, but it should stabilize after a short time.• There are some types of hot water taps that discharge large volumes of hot water initially, but stabilize after time.• To keep the temperature stable, the heater limits the amount of water that can flow through it to a small amount initially, but the amount increases over time.
The amount of hot water in the tub is less/more than the set amount.	<ul style="list-style-type: none">• When hot water is used for other fixtures while filling the bath tub, the tub will not fill as much.• If there is water in the tub already, or when filling is stopped and resumed, the tub will fill more.
The flow meter alarm does not sound even when filled to the set amount.	<ul style="list-style-type: none">• The flow meter alarm is set to sound when hot water is continuously discharged for the set volume of water. If mixing valves are used, or if cold water is mixed with hot water at the fixture, the tub will fill more than the setting of the flow meter alarm.
Amount of hot water available has decreased over time.	<ul style="list-style-type: none">• Is the water drain valve filter clogged? (☞ p.20)

Remote Controller

The light on the power button does not come on.

- Has there been a power failure?
- Is the power connected properly?

The water temperature changes after a power failure or when the power is disconnected.

- The temperature setting and the flow meter alarm setting may both need to be reset after a power outage.

Sounds

The fan can be heard after operation is stopped.

A motor can be heard when turning the unit ON or OFF, when opening or closing a fixture, or after the unit has been running for a while.

- These noises indicate the proper operation of devices which are designed to let the unit reignite more quickly, and ensure the water temperature is stable.

Other

The heater stops burning during operation.

- Are the gas and water supply valves fully open?
- Is the water supply cut off?
- Is the hot water fixture sufficiently open?
- Is the gas being cut off by the gas meter?
(Can other gas devices such as stoves be used?)
- (For LP) Is there enough gas in the tank?
(Can other gas devices such as stoves be used?)

White smoke comes out of the exhaust vent on a cold day.

- This is normal. The white smoke is actually steam.

The hot water is turbid.

- This is harmless. Small air bubbles appear as the water is heated and depressurized rapidly to atmospheric pressure.

Water leaks from the drain plugs on the outlet.

- When the unit is under very high pressure, water will leak from the drain plugs as a safety so that the unit is not damaged by the high pressure.

Troubleshooting-3

Other

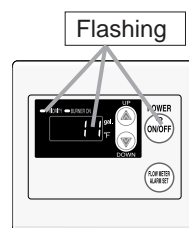
The water appears blue or
The bath tub/wash-basin has turned
blue

- This can be caused by a reaction of copper ions in the water with fat particles (furring). This is not a health risk, and the discoloration of the tub or basin can be cleaned.

Check for an Error Code

If there is a problem with the unit, a numerical error code will flash on the remote controller. If this occurs, take appropriate measures as listed below.

When an error code appears, the display and the operation light will flash together.



Remote Controller

Error Code	Cause	Action
11	Ignition error	Check whether the gas valve is open. Press the power button to turn the unit off, open a hot water fixture, and turn the unit back on. If the flashing number doesn't return the problem is solved.
90	Abnormal combustion, low gas supply pressure	Have a professional check the gas supply pressure. Contact the nearest Noritz agent.
99	Abnormal combustion	Contact the nearest Noritz agent.

Contact our sales agent if:

- Any other error code appears.
- An error code is indicated again after the above actions were followed.
- There are any other questions.

Follow-up Service

Requesting Service

First follow the instructions in the troubleshooting section (p.21 to p.24).
If the error is not corrected, contact our sales agent.

We will need to know:

The Model (check the rating plate)

*See p.4 for the location of the label

Date of purchase (see the warranty)

Details of problem ... (flashing error codes,
etc., in as much detail as possible)

Your name, address, and telephone number

Desired date of visit



* A request for service may be rejected if the water heater is installed in a location where working on the unit may be dangerous. Contact a plumber.

Warranty

A warranty registration card is included separately.

Be sure that the plumber, date of purchase and other necessary items are filled in.

Read the content carefully, and keep the warranty card in a safe place.

For repairs after the warranty period, there will be a charge on any service, and service will only be performed if the unit is deemed repairable.

Period of Time for Stocking Repair Parts

Noritz will stock repair and maintenance parts for this unit for a minimum of seven years after production has ceased.

Reinstallation

If you want to reinstall the appliance at a different location, confirm that the gas and power supply indicated on the rating plate are available at the new location. If you are not sure, consult the local utility company.

If you move to a region that uses a different type of gas, conversion and adjustment of the appliance will be necessary. This work must be performed by Noritz and will be charged for even during the warranty period.

Specifications

- Specifications may be changed without prior notice.
- The capacity may differ slightly, depending on the water pressure, water supply, piping conditions, and water temperature.

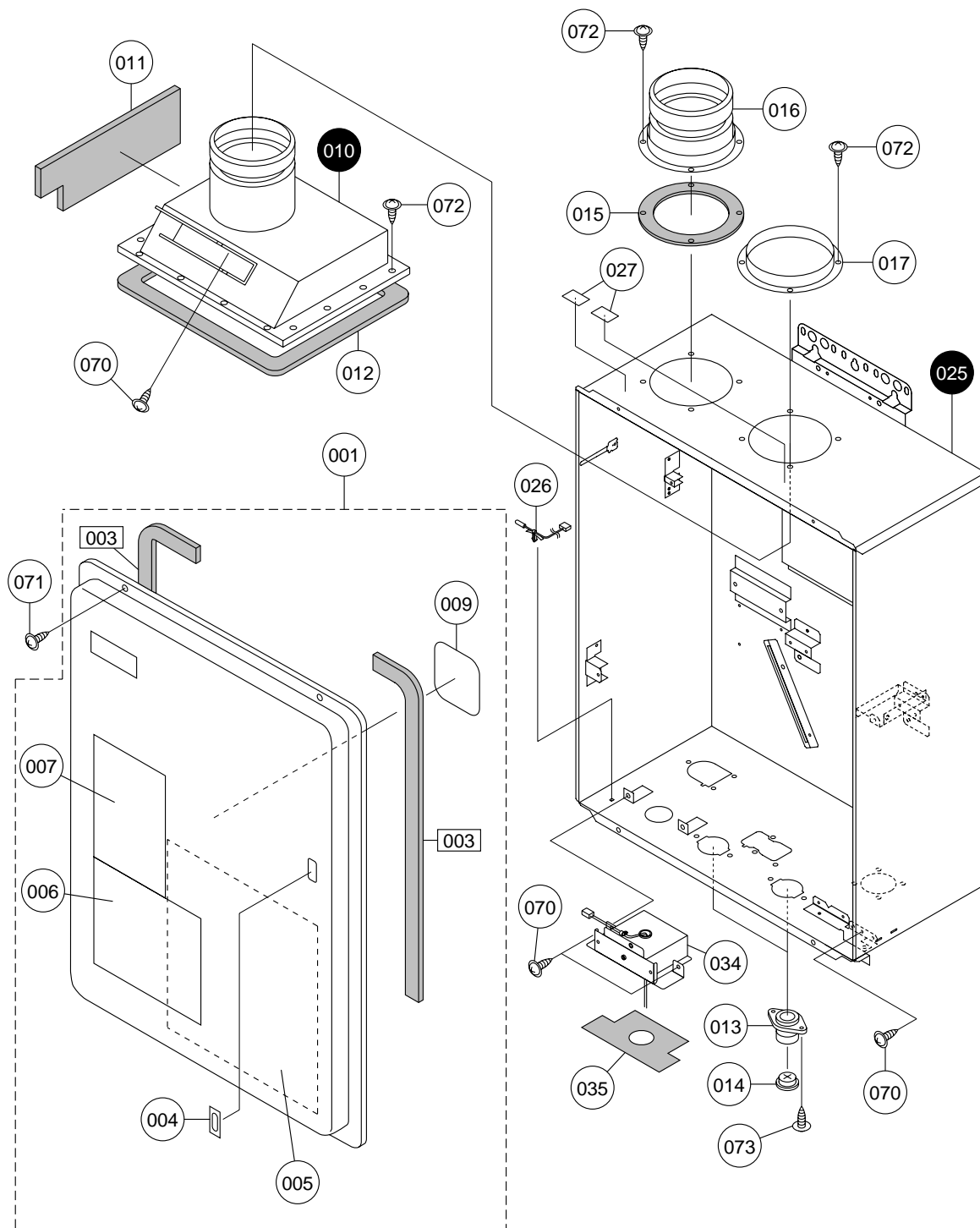
Specifications

Item	Specification	
Model Name	N-084M-DV-ASME	
Type	Installation Air Supply/Exhaust	Indoor Wall Hanging Direct Vent/Sealed Combustion
Ignition	Direct Ignition	
Operating Pressure	15-150 PSI	
Minimum Flow Rate	0.7 GPM	
Dimensions	24.2"(Height) x 18.3"(Width) x 9.4"(Depth)	
Weight	63 lbs.	
Water Holding Capacity	0.3 Gallon	
Connection Sizes	Water Inlet	3/4"
	Hot Water Outlet	3/4"
	Gas Inlet	3/4"
Power Supply	Supply	120 VAC (60Hz)
	Consumption	NG:86W, LP:92W, Freeze Prevention 135W
Materials	Casing	Zincified Steel Plate/Polyester Coating
	Flue Collar	Stainless Steel
	Heat Exchanger	Copper Sheetting, Copper Tubing
Safety Devices	Flame Rod, Thermal Fuse, Pressure Relief Valve, Lightning Protection Device (ZNR), Electric Leakage Prevention Device (GFCI), Overheat Prevention Device, Freezing Prevention Device, Fan Rotation Detector	
Accessories	Remote Controller, Remote Controller Cord, Anchoring Screws	

Performance

Item		Maximum Performance	Minimum Performance
Gas Consumption	NG	236,000 btuh	21,000 btuh
	LP	236,000 btuh	21,000 btuh
Maximum Hot Water Capacity	45°F Rise	8.4 Gal./min.	
Capacity Range		0.7-8.4 Gal./min.	
Temperature Settings		100-150°F (In 5°F intervals), 160, 170, 180°F (In 10°F intervals) (14 Options)	
Default Temperature Options		120,130,140,180°F(Original is 120°F)	

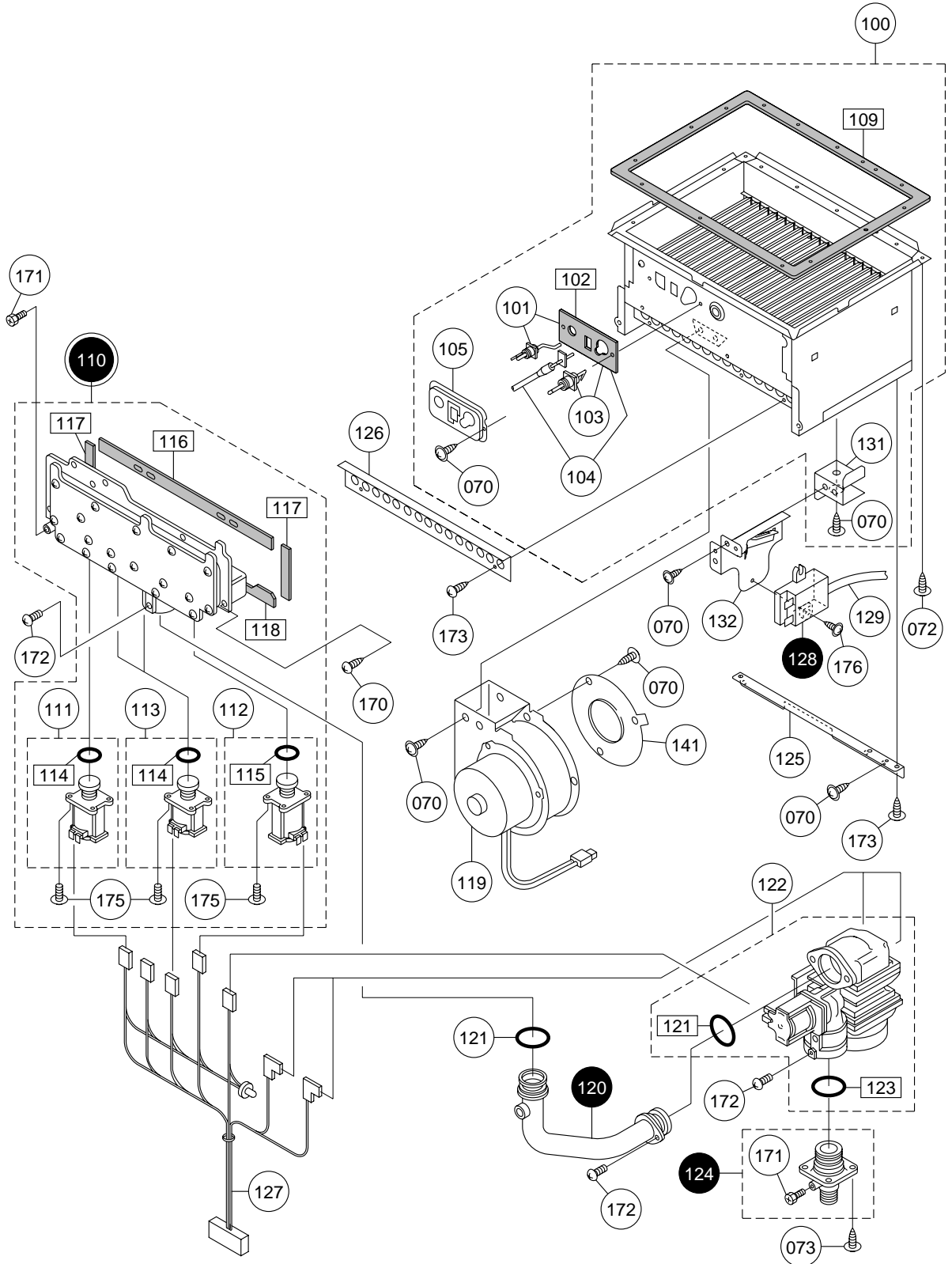
External outfitting N-084M-DV-ASME



External outfitting N-084M-DV-ASME

Part Nos.	Part Names	Order Nos.	Q'ty/unit
001	N-084M-DV-ASME Front SET-AS	SKB7096	1
003	Front packing L AAP	AAPL017	2
004	Lamp seal plate DEC	DECK008	1
005	Connection diagram label EJM	EJMK001	1
006	Caution label 1 EHU	EHUK018	1
007	Caution label 2 EAU	EAUK004	1
009	Plug insulation sheet CRU	CRUK002	1
010	Exhaust box FF CZV	CZVF001	1
011	Heat insulator CZV	CZVL002	1
012	Exhaust joint packing DHN	DHNL003	1
013	Wiring coupling BXK	BXKA022	2
014	Grommet CXP	CXPA026	2
015	Intake pipe packing EHK	EHKL084	1
016	Intake pipe BCU	BCUF021	1
017	Intake flange BCU	BCUF022	1
025	Case FF EJM	EJMA011	1
026	Air thermistor-300 BWC	BWCH003	1
027	Intake/Exhaust label EJM	EJMK031	1
034	Junction box set EHU	EHUA008	1
035	Junction box packing EHU	EHUL002	1
070	Cross recessed round-head collar N-tapping screw 4X8		
071	Cross recessed truss type3 EVERTIGHT tapping screw with PW 4X12		
072	Cross recessed round-head collar N-tapping screw 4X10		
073	Cross recessed round-head collar type3 EVERTIGHT tapping screw 4X12		

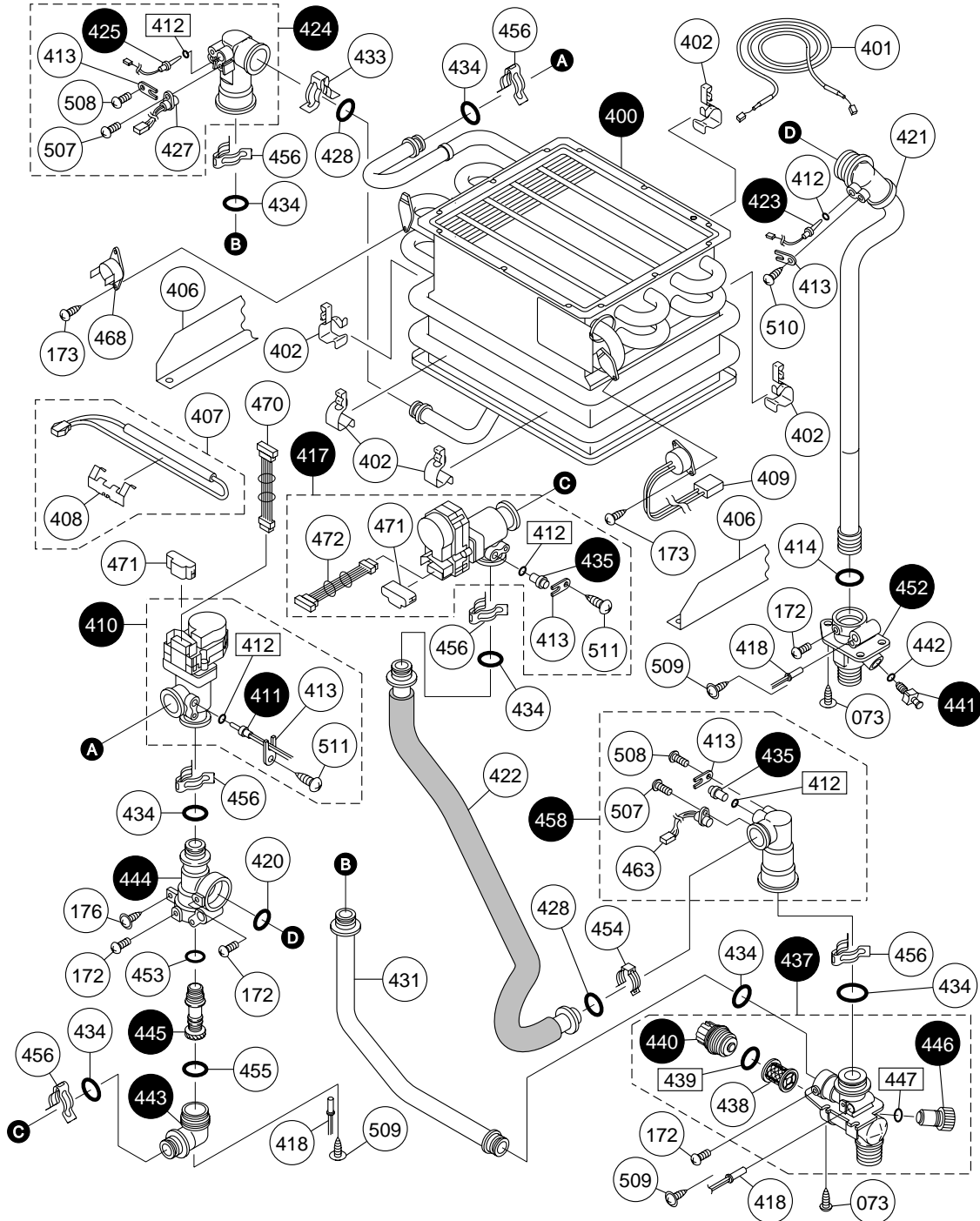
Combustion unit and gas route N-084M-DV-ASME



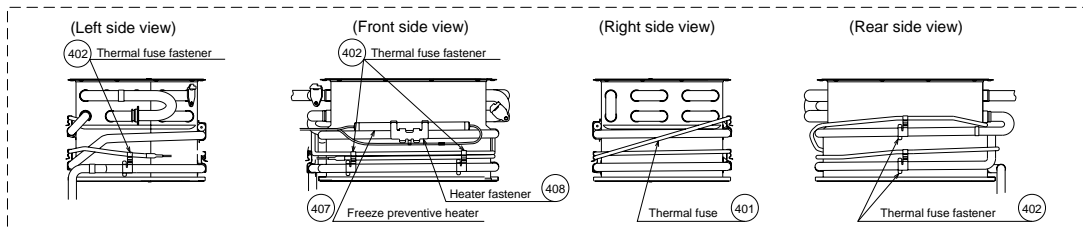
Combustion unit and gas route N-084M-DV-ASME

Part Nos.	Part Names	Order Nos.	Q'ty/unit
100	Combustion tube set EAC SET-V	SBP7302	1
101	Flame rod DLK SET-V	SBA7506	1
102	Plug packing (for N) DLK	DLKL012	1
103	Ignition plug Q(N)SET-V	SBA7504	1
104	Burner sensor DLK SET-V	SBA7505	1
105	Plug fixing plate (for N) DLK	DLKC009	1
109	Suction air joint packing DHN	DHNL002	1
110	Manifold set 15 EDM SET-AS	SBE7875	1<LPG>
	Manifold set 24 EDM SET-AS	SBE7874	1<NGA>
111	Solenoid S16L CRU SET-AS	SAQ7346	1
112	Solenoid S24L CRU SET-AS	SAQ7406	1
113	Solenoid S09L CRU S30 SET-AS	SAQ7486	2
114	O-ring S30 type 1A	SAD6433	3
115	O-ring S-38	SAD6372	1
116	Manifold seal packing top CRP	CRPL002	1
117	Manifold seal packing side CRP	CRPL004	2
118	Manifold seal packing bottom CRP	CRPL003	1
119	Fan motor DKE	DKEF030	1
120	Manifold pipe set EDM	EDME006	1
121	O-ring P25.5	SAB1512	2
122	Gas mech. S24DQ CRP SET-V	SAQ7708	1
123	O-ring JASO 2028A	8590109	1
124	Gas fitting 20A set EJH	EJHE001	1
125	Mounting plate for burner case DLT	DLTC001	1
126	Main damper 11 CRP	CRPC052	1
127	Conduit R10 EDM	EDMJ006	1
128	Igniter CRP	CRPJ002	1
129	High-voltage cord 470	SAC1229	1
131	Mounting plate for igniter EAC	EACC011	1
132	Mounting plate for igniter DTJ	DTJA015	1
141	Bell-mouse ϕ 44 CRU	CRUC045	1
170	Cross recessed round-head type3 EVERTIGHT tapping screw 5X16		
171	Cross recessed hexagon head machine screw M4X8		
172	Cross recessed round-head machine screw M4X8		
173	Cross recessed round-head N-tapping screw 4X8		
175	Cross recessed round-head SPAKmachine screw with guide M4X12		
176	Cross recessed round-head collar N-tapping screw 4X12		

Hot-water feed route N-084M-DV-ASME



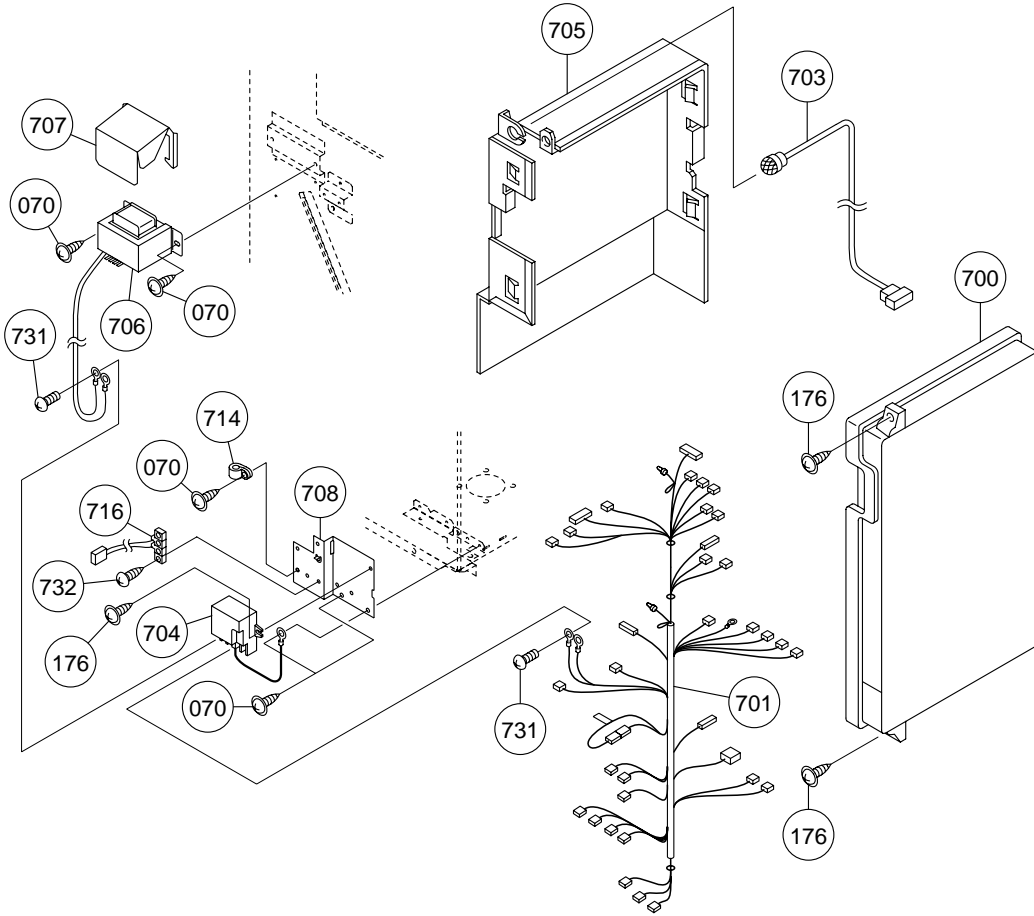
(Thermal fuse rounding procedure)



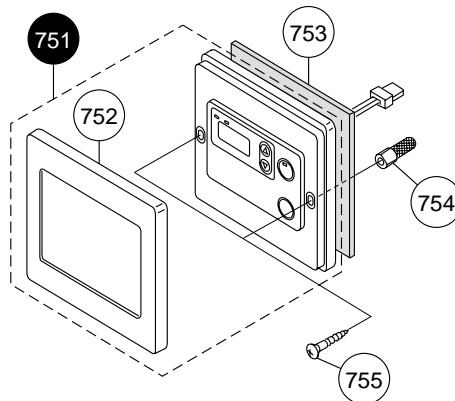
Hot-water feed route N-084M-DV-ASME

Part Nos.	Part Names	Order Nos.	Q'ty/unit
400	Heat exchanger set ELS SET-AS	SKB7095	1
401	Thermal fuse DHN SET-V	SBA7398	1
402	Thermal fuse fastener CXD	CXDH003	5
406	Thermal fuse cover DHN	DHNA014	2
407	Freeze preventive heater CRP SET-V	SAQ7745	1
408	Heater fastener EHK	EHHK001	1
409	Remaining flame safety device 96 EHU	EHUH001	1
410	Water flow servo set 2 DZT	DZTD011	1
411	Heat exchanger thermister-300 BWC	BWCD098	1
412	O-ring P4C	1323709	5
413	Thermistor holding plate ALS	ALSD088	5
414	O-ring P20C	3059502	1
417	Water flow servo set 1 DZT	DZTD010	1
418	Freeze preventive heater 3 BGD	BGDH002	3
420	O-ring P22C	7573308	1
421	Hot-water feed pipe DHN	DHND010	1
422	Bypass pipe EAC	EACD003	1
423	Hot-water thermistor-300 BWC	BWCD096	1
424	Water flow sensor set 3 DUV	DUVD019	1
425	Water inlet thermistor-300 BWC	BWCD097	1
427	Water outlet magnetic sensor BWC	BWCD090	1
428	O-ring P12.5C	3359808	2
431	Water inlet pipe EAC	EACD001	1
433	Quick fastener 13-22	SAD6537	1
434	O-ring P16C	3223302	7
435	Shut-off cock AXG	AXGD089	2
437	Water inlet fitting 20A set EJM	EJMD002	1
438	Water filter (SUS) EGB	EGBD032	1
439	O-ring 16DF BRQ	BRQL008	1
440	Water filter cover DTJ	DTJD006	1
441	Drain cock CRU	CRUD003	1
442	Hot-water resistant O-ring P3	SAD6633	1
443	Mixing coupling EAC	EACD007	1
444	Mixing body EAC	EACD013	1
445	Mixing cylinder BWC	BWCD035	1
446	QMF safety valve A(S)	SAA2811	1
447	Hot-water resistant O-ring P9	SAD6635	1
452	Hot-water outlet fitting EJM	EJMD001	1
453	O-ring P11C	1326503	1
454	Quick fastener 12.7	6340202	1
455	O-ring JASO 2026 type4 C	SAA6483	1
456	Quick fastener 16A	6340300	6
458	Water flow sensor set 1 DUV	DUVD017	1
463	Magnetic sensor BWC	BWCD093	1
468	Thermostat BHV	BHVH002	1
470	Conduit 86 DZT	DZTJ008	1
471	Waterproof cover CZL	CZLD041	2
472	Servo motor cable conduit (86) DZT	DZTJ009	1
507	Cross recessed truss P TIGHT screw 4X10		
508	Cross recessed round-head P TIGHT screw 4X14		
509	Cross & straight recessed round-head collar type3 S TIGHT tapping screw 4X8		
510	Cross & straight recessed type3 S TIGHT tapping screw 4X8		
511	Cross recessed round-head P TIGHT screw 4X14		

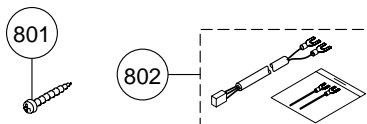
Electronic control unit N-084M-DV-ASME



Remote controller kitchen remote controller (RC-7646M-2-USA)



Attached set



<Special part>

Special part	Special part no.
Installation manual	888

Electronic control unit, Remote controller and Attached set N-084M-DV-ASME

Part Nos.	Part Names	Order Nos.	Q'ty/unit
700	Relay case EJM-C SET-AS	SHA7842	1
701	Harness EJM	EJM002	1
703	Lamp cable conduit CRP	CRPJ014	1
704	Current leakage safety device DTJ	DTJJ015	1
705	Relay case cover DEK	DEKA014	1
706	Transformer EDN	EDNJ006	1
707	Transformer cover DJP	DJPA054	1
708	Mounting plate for terminal block DZT	DZTA006	1
714	Nylon clamp HP-4N (NK-4N)	7287909	1
716	Conduit 90-2 CCP	CCPJ028	1
731	Cross recessed blind machine screw M3.5X6		
732	Cross recessed round-head N-tapping screw 4X12		
751	RC-7646M-2 body USA QME	QMEJ005	1
752	Dressed frame body QME	QMEA003	1
753	Wall packing QHU	QHUA115	1
754	Oar plug 6X25		
755	Cross recessed round wood screw 4.1X25		
800	N-084M packing SET-V	SBP7633	1
801	Cross recessed round-head type 1 tapping screw 5X35		
802	Remote controller cord S set EAU	EAUM001	1
888	Installation manual N-084M-DV-ASME	SAR8466	1

Installation Manual




NORITZ AMERICA
CORPORATION

GAS WATER HEATER

N-084M-DV-ASME (Indoor Installation)

WARNING: If the information in this manual is not followed exactly, a fire or explosion may result causing property damage, personal injury or death.

Potential dangers from accidents during installation and use are divided into the following three categories. Closely observe these warnings, they are critical to your safety.

 Danger	Danger of serious injury or even death as well as danger of fire when the product is misused by ignoring this symbol.
 Warning	Possibility of serious injury or even death as well as possibility of fire when the product is misused by ignoring this symbol.
 Caution	Possibility of bodily injury or damage to property when the product is misused by ignoring this symbol.



Prohibited



Disconnect
Power



Ground



Be sure to do

Requests to Installers







Caution • In order to use the water heater safely, read this installation manual carefully, and follow the installation instructions.

- Failures and damage caused by erroneous work or work not as instructed in this manual are not covered by the warranty.
- Check that the installation was done properly in accordance with this Installation Manual upon completion.
- After completion of installation, be sure to hand the Operation Manual (with warranty) to the customer upon filling in all of the required items.

Installation must conform with local codes, or in the absence of local codes, the National Fuel Gas Code, ANSI Z223.1/NFPA 54.

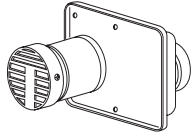
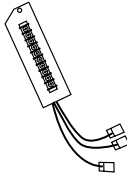
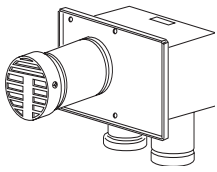


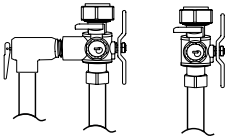
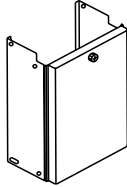
1. Included Accessories

The following accessories are included with the unit. Check for any missing items before starting installation.

Part	Shape	Q'ty	Part	Shape	Q'ty
Tapping Screw		5	Installation Manual (this document)		1
Remote Controller (See p. 51)		1	Remote Controller Cord (10 ft)		1

2. Optional Accessories

The accessories listed below are not included with the units, but may be necessary for installation.

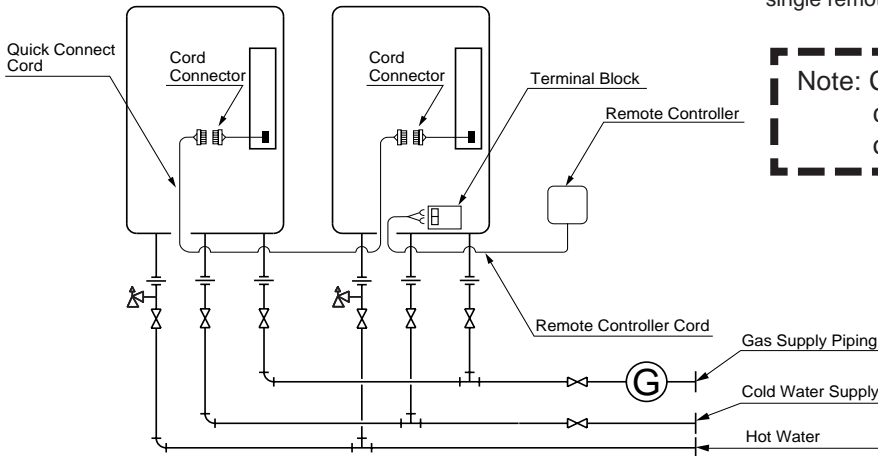
Part	Shape	Q'ty	Part	Shape	Q'ty
Flue Terminal VT4-TL		1	System Controller		1
Flue Terminal VT4-TS		1	Quick Connect Cord		1
			Remote Controller Cord (26 ft)		1
Isolator Valves (includes pressure relief valve)		1	PC-84M Pipe Cover		1

3. Quick Connect Multi System Installation

- The Quick Connect Multi System allows the installation of two units together utilizing only the Quick Connect Cord.

The Quick Connect Cord is 6 ft. long. Install the two units 18.5"-37.4" apart at the center to ensure the cord will be able to reach between the units. (See Typical Plumbing diagram). (If the distance between the two units is too great, not only will the cord not be able to reach, but the water temperature may also become unstable because of the difference in pipe length between the two units.)

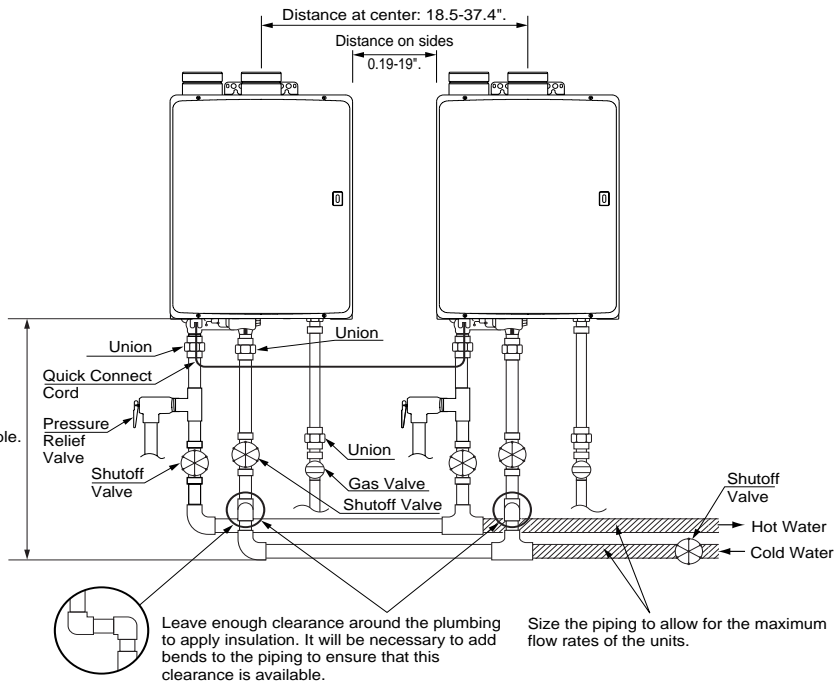
System Diagram



* When connecting 2 devices, use only a single remote controller.

Note: Connect the remote controller to only one of the devices.

Typical Plumbing



Make this distance as short as possible.
* The hot water temperature will become unstable as the pipe length increases.

Leave enough clearance around the plumbing to apply insulation. It will be necessary to add bends to the piping to ensure that this clearance is available.

Size the piping to allow for the maximum flow rates of the units.

- Insulate the hot water piping to prevent heat loss. Insulate and apply heating materials to the cold water supply piping to prevent heat loss and freezing of pipes when exposed to excessively cold temperatures.

4. Before Installation

Warning

Precautions on Vent Pipe Replacement

- The vent system will almost certainly need to be replaced when this appliance is being installed. Use vent pipe that is listed to UL 1738 for Category III appliances for the exhaust venting. Category III listed vent pipe is suggested for the air supply pipe also, but other materials may be acceptable. Consult local codes.
* If Category III listed vent pipe is already installed, check for punctures, cracks or blockages and consult with the vent pipe manufacturer before reusing.

Use Approved Vent Materials

- Use only vent materials that are listed to UL 1738 for Category III appliances for the exhaust venting of this appliance.
Improper venting may result in fires, property damage or exposure to Carbon Monoxide.

Snow Precaution

- If this product will be installed in an area where snow is known to accumulate, protect the vent termination from blockage by snow drifts or damage from snow falling off of roofs.

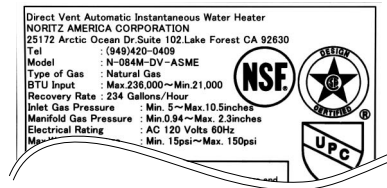
Caution

Check the Gas

- Check that the rating plate indicates the correct type of gas.
Check that the gas supply line is sized for 236,000 Btuh for this unit.

Check the Power

- The power supply required is 120V AC, at 60Hz. Using the incorrect voltage may result in fire or electric shock.



Do Not Use Equipment for Purposes Other Than Those Specified

- Do not use for purposes other than increasing the temperature of the water supply, as unexpected accidents may occur as a result.

Check Water Supply Quality

- If the water supply is hard, acidic or otherwise impure, treat the water with approved methods in order to ensure full warranty coverage.

Use Extreme Caution if Using With A Solar Pre-Heater

- Using this unit with a solar pre-heater can lead to unpredictable output temperatures and possibly scalding. If absolutely necessary, use mixing valves to ensure output temperatures do not get to scalding levels. Do not use a solar pre-heater with the quick-connect multi-system.

Checkup

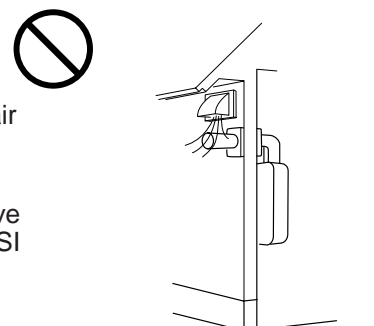
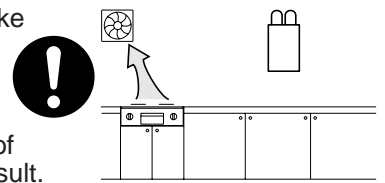
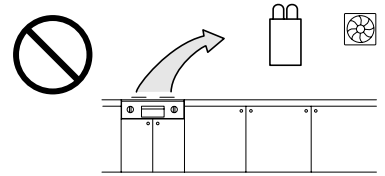
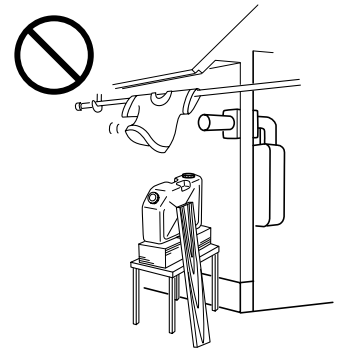
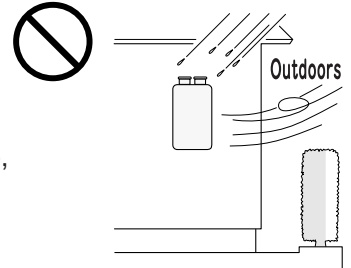
- Check the fixing brackets and vent pipe yearly for damage or wear. Replace if necessary.

5. Choosing Installation Site

- * Locate the appliance in an area where leakage from the unit or connections will not result in damage to the area adjacent to the appliance or to the lower floors of the structure. When such locations cannot be avoided, it is recommended that a suitable drain pan, adequately drained, be installed under the appliance. The pan must not restrict combustion air flow.

Caution

- The water heater is designed for indoor installation only. Never install it outdoors or in a bathroom, it may be damaged or a fire may be caused.
- Consult with the customer concerning the location of installation.
- Avoid places where fires are common, such as those where gasoline, benzene and adhesives are handled, or places in which corrosive gases (ammonia, chlorine, sulfur, ethylene compounds, acids) are present.
This may cause incomplete combustion or failures.
- Locate the vent terminal so that there are no obstacles around the termination and so that exhaust can't accumulate. Do not enclose the termination with corrugated metal or other materials.
- Install the water heater in an area that allows for the proper clearances to combustible and noncombustible construction. Consult the rating plate on the appliance for proper clearances.
- Do not install the water heater in a place where it may be threatened by falling objects, such as under shelves.
- The water heater must be installed in a place where supply and exhaust pipes can be installed as directed.
- Do not install the water heater where the exhaust will blow on outer walls or material not resistant to heat. Also consider the surrounding trees and animals.
The heat and moisture from the water heater may cause discoloration of walls and resinous materials, or corrosion of aluminum materials.
- Avoid installation above gas ranges or stoves.
- Avoid installation between the kitchen fan and stove. If oily fumes or a large amount of steam are present in the installation location, take measures to prevent the fumes and steam from entering the equipment.
- Avoid installation in places where dust or debris will accumulate. Dust may block the air-supply opening, causing the performance of the fan motor to drop and incomplete combustion to occur as a result.
- Install in a location where the exhaust gas flow will not be affected by fans or range hoods.
- Take care that noise and exhaust gas will not affect neighbors.
- Avoid installation in places where special chemical agents (e.g., hair spray or spray detergent) are used.
Ignition failures and malfunction may occur as a result.
- Before installing, make sure that the exhaust flue termination will have the proper clearances according to the National Fuel Gas Code (ANSI Z223.1).



6. Installation Clearances



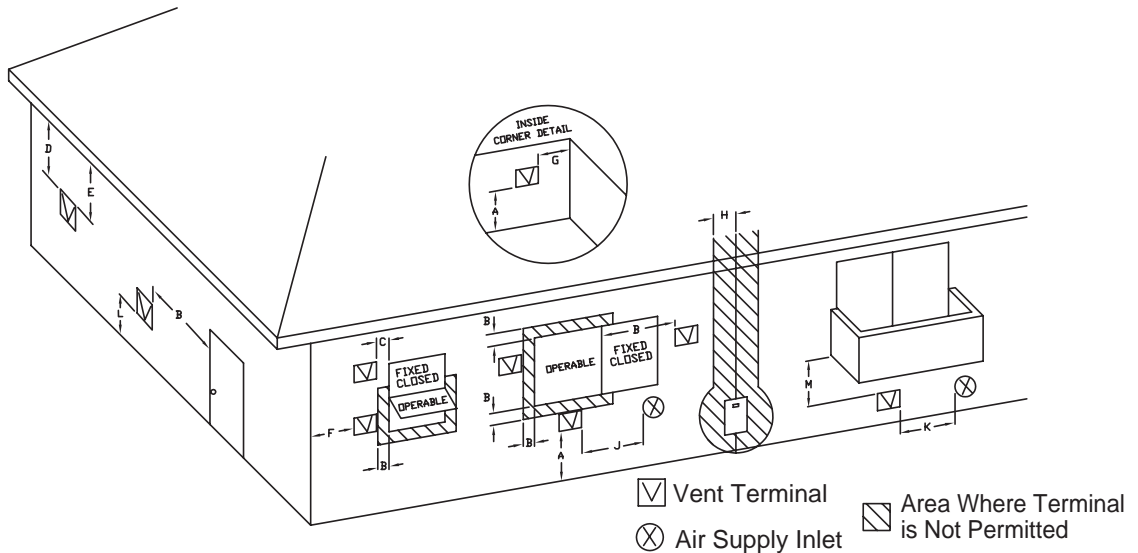
Before installing, check for the following:

Install in accordance with relevant building and mechanical codes, as well as any local, state or national regulations.

Item	Check	Illustration
Distance from combustibles	<ul style="list-style-type: none"> Maintain the following clearances from both combustible and non-combustible materials. 	<p>Distance from the top surface</p> <p>Distance from the side</p>
Securing of space for repair/inspection	<ul style="list-style-type: none"> If possible, leave 8" or more on either side of the unit to facilitate inspection. If possible, leave 24" or more in front of the unit to facilitate maintenance and service if necessary. 	<p>8" or more</p> <p>8" or more</p> <p>24" or more</p> <p>Consult vent manufacturer for clearances</p>
Outdoor Clearances to Opening into Any Building	<ul style="list-style-type: none"> There must be a clearance of 24" or more in front of the Flue terminal. This restriction will not be applied to an area where an effective shield makes a clearance of 24" or more in front of the exhaust outlet. 	<p>There must be no building opening within this area.</p> <p>Flue terminal</p> <p>12" or more</p> <p>12" or more</p> <p>12" or more</p> <p>12" or more</p>

Clearance Requirements from Vent Terminations to Building Openings

* All clearance requirements are in accordance with ANSI Z21.10.3 and the National Fuel Gas Code, ANSI Z223.1.



	Clearance	Indoor Installation (See p.42)	Outdoor Installation (See p.42)
A=	Above grade, veranda, porch, deck, or balcony	12" (12")	12" (12")
B=	Window or door that may be opened	4' below or to the side of opening, or 1' above opening (36")	12" (36")
C=	Permanently closed window	*	*
D=	Vertical clearance to ventilated soffit located above the terminal within a horizontal distance of 2 feet from the center of the terminal	*	*
E=	Unventilated soffit	*	*
F=	Outside corner	*	*
G=	Inside corner	*	*
H=	Each side of center line extended above meter/regulator assembly	3' within a height 15' above meter/regulator assembly	3' within a height 15' above meter/regulator assembly
I=	Service regulator vent outlet	3'	3'
J=	Nonmechanical air supply inlet or combustion air inlet to any other appliance	4' below or to the side of opening, or 1' above opening (36")	12" (36")
K=	Mechanical air supply inlet	3' above if within 10' (6')	3' above if within 10' (6')
L=	Above paved sidewalk or paved driveway located on public property	(7' ***)	(7' ***)
M=	Under veranda, porch, deck, or balcony	* (12"- Canada Only****)	* (12"- Canada Only****)

()= indicates clearances required in Canada

*Maintain clearances in accordance with local installation codes and the requirements of the gas supplier

***A vent shall not terminate directly above a sidewalk or paved driveway that is located between two single family dwellings and serves both dwellings.

****Permitted only if veranda, porch, deck, or balcony is fully open on a minimum of two sides beneath the floor.

7. Installation

Securing to the wall



- The weight of the device will be applied to the wall. If the strength of the wall is not sufficient, reinforcement must be done to prevent the transfer of vibration.
- Do not drop or apply unnecessary force to the device when installing. Internal parts may be damaged and may become highly dangerous.
- Install the unit on a vertical wall and ensure that it is level.

Item	Check	Illustration
Locating Screw Holes	<div style="border: 1px solid black; padding: 5px; margin-bottom: 10px;"> Caution <ul style="list-style-type: none"> • When installing with bare hands, take caution to not inflict injury. • Be careful not to hit electrical wiring, gas, or water piping while drilling holes. </div> <ol style="list-style-type: none"> 1. Drill a single screw hole, making sure to hit a stud. 2. Insert and tighten the screw and hang the unit by the upper wall mounting bracket. 3. Determine the positions for the remaining four screws (two for the top bracket and two for the bottom), and remove the unit. 	<p style="text-align: center;">Location of Screw Hole</p> <p style="text-align: center;">Locating Screw Holes</p>
Mounting	<ol style="list-style-type: none"> 4. Drill holes for the remaining four screws. 5. Hang the unit again by the first screw, and then insert and tighten the remaining four screws. 6. Take waterproofing measures so that water does not enter the building from screws mounting the device. 	<p style="text-align: center;">Tapping Screw</p>
Structure	<ul style="list-style-type: none"> • Make sure the unit is installed securely so that it will not fall or move due to vibrations or earth-quakes. 	

8. Vent Pipe Installation (Indoor Installation Only)

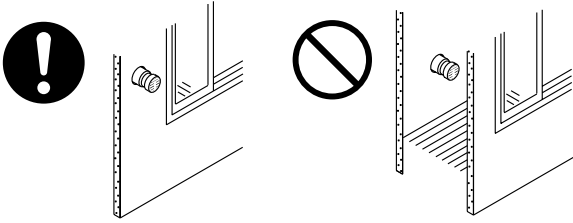
Vent Terminal Installation

- Follow the installation instructions included with the vent terminal and which are reproduced at the end of this manual. This appliance must be vented through the wall, not vertically to the roof.

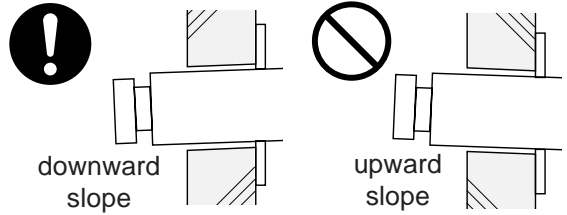
Vent Terminal Installation Precautions

Note the following vent terminal installation requirements

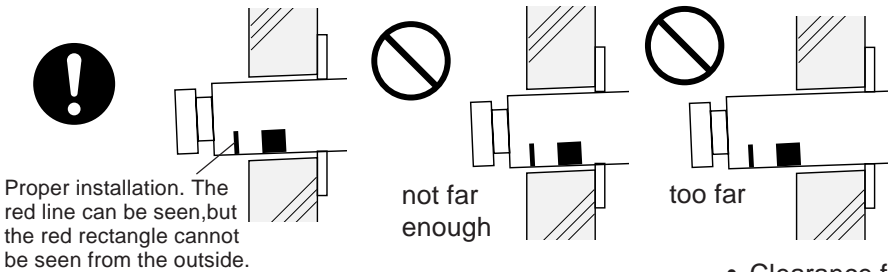
- Do not install the vent terminal indoors



- Install the vent terminal with a downward slope

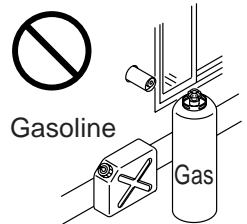


- Install with the proper length protruding through the wall

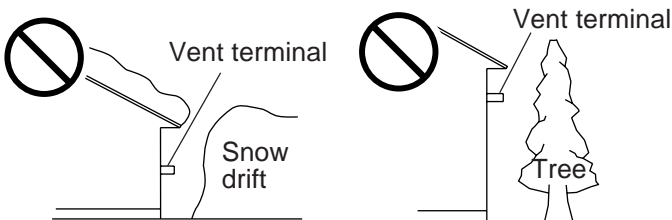


Proper installation. The red line can be seen, but the red rectangle cannot be seen from the outside.

- Avoid storing hazardous objects near the terminal

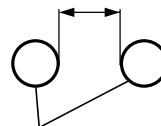


- Avoid installing the terminal where obstacles will block it

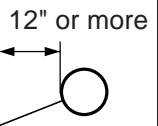


- Clearance from vent terminal. If multiple units are installed, terminals must be separated by 12" or more in a plain view regardless of the vertical clearance.

12" or more

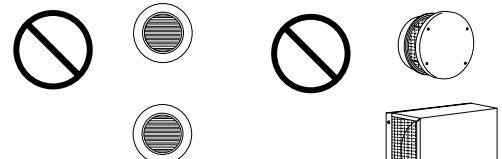


Vent terminal



Vent terminal

- Do not install the vent terminals vertically in-line. Do not cover the vent terminal with any type of protective screen or enclosure. In-line or blocked terminals can cause abnormal combustion resulting in undesired performance from the water heater.



Vertical position not allowed.

Vent terminal models

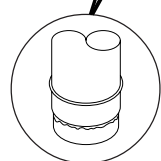
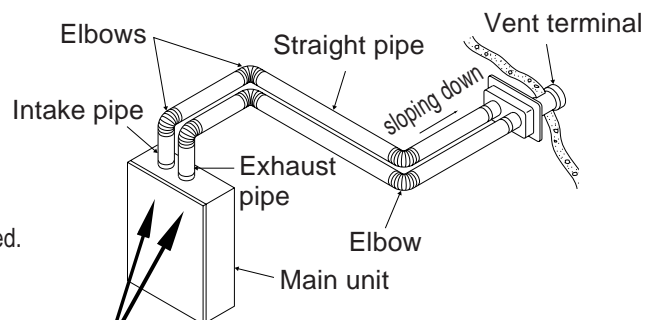
- Use only the following models of Noritz vent terminals with this unit.

Vent terminal	Model	Notes
	VT4-TL	(for long vent runs)
	VT4-TS	(to be installed directly on top of the appliance)

- Vent terminal size variations are listed in the table below. Choose the model according to the wall thickness required.

Model	Wall thickness (in.)
VT4-TL-5	3.5" to 5.1"
VT4-TL-8	5.1" to 8.3"
VT4-TL-14	8.3" to 14.6"
VT4-TL-27	14.6" to 27.2"

Vent system installation example



Use a listed Category III vent adapter to connect the flue collar to the vent system. Use Category III vent pipe for the entire length of the exhaust pipe.

Venting Precautions

- Use 4" diameter Category III vent pipe.
- Maximum vent length

Number of 90 degree elbows	Maximum Vent Length
4	39'
3	45'
2	51'
1	57'

- Exceeding the maximum vent length is dangerous and may result in bad combustion.
- If possible, don't install the vent pipe through any enclosed areas. If necessary, consult the pipe manufacturer's instructions for clearances.
- Install the vent terminal so that all exhaust is directed to and all intake air is taken from outdoors.

- Do not store hazardous or flammable substances near the vent terminal,
- Slope the intake and exhaust pipes at a 1/50 grade down towards the termination.
- Use only UL listed Category III venting products.
- Connect the vent pipe firmly so that it will prevent exhaust gases from leaking.
- Steam or condensed water may drip out of the vent terminal. Dispose of this condensed water according to local codes and in order to prevent injury or property damage.
- If this product will be installed in an area where snow is known to accumulate, protect the vent termination from blockage by snow drifts or damage from snow falling off of roofs.
- Support the vent pipe with hangers at intervals as required by the vent pipe manufacturer's installation instructions.
- Install the vent terminal so that it is easily accessible for maintenance both from the indoors and the outdoors.
- If the vent terminal will be installed higher than the water heater, make the vertical section directly above the water heater as short as possible, and slope down to the terminal. Do not have another vertical section after the horizontal section begins.
- Make the vertical pipe as short as possible.

- Follow the vent pipe manufacturer's installation instructions.
- Maintain the same vent pipe diameter all the way to the end.
- Maintain the following clearances for the exhaust pipe to combustibles:

Manufacturer and Product	Enclosed		Unenclosed	
	Hor.	Vert.	Hor.	Vert.
Noritz N-Vent	10" (sides) 15" (top) 6" (bottom)	4"	3"	3"
Protech FasNSeal	8" (sides) 12" (top) 4" (bottom)	4"	3"	3"
Protech FasNSeal W2	6"	4"	3"	3"
HeatFab SafTVent	6"	6"	2"	2"
Z-Flex Z-Vent	8"	4"	1"	1"
Flex-L StaR-34	8"	4"	1"	1"

These clearances are subject to change. Refer to the UL listing for the proper clearances.

- Do not common vent or connect more than one appliance to this venting system.

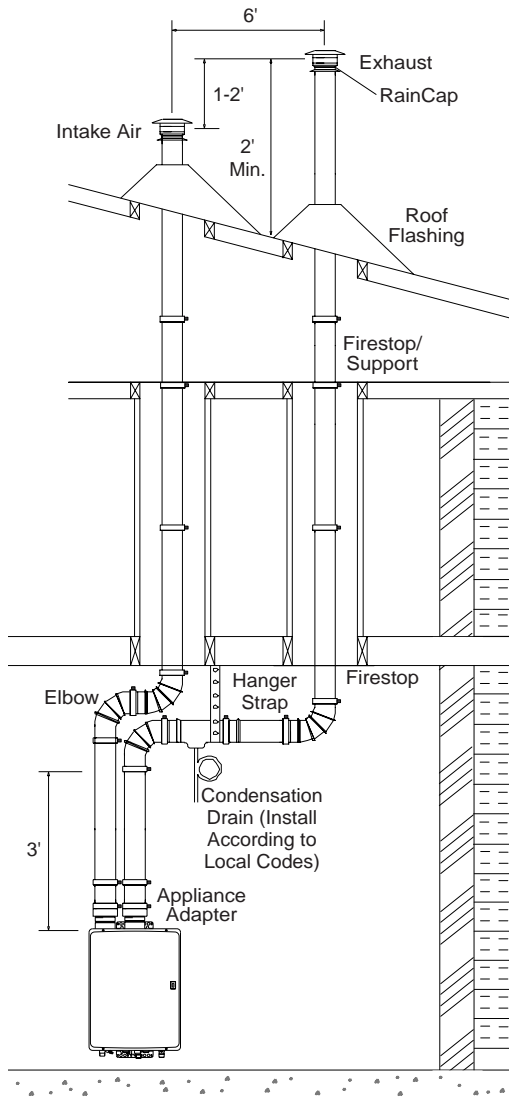
Appliance Adapters

- Use the following adapters to connect the unit to the venting system.

Manufacturer and Product	Part No.
Protech FasNSeal	FSA44
HeatFab SafTVent	9401RYPK
Z-Flex Z-Vent	2SVWA04
Flex-L StaR-34	SRASPSA4

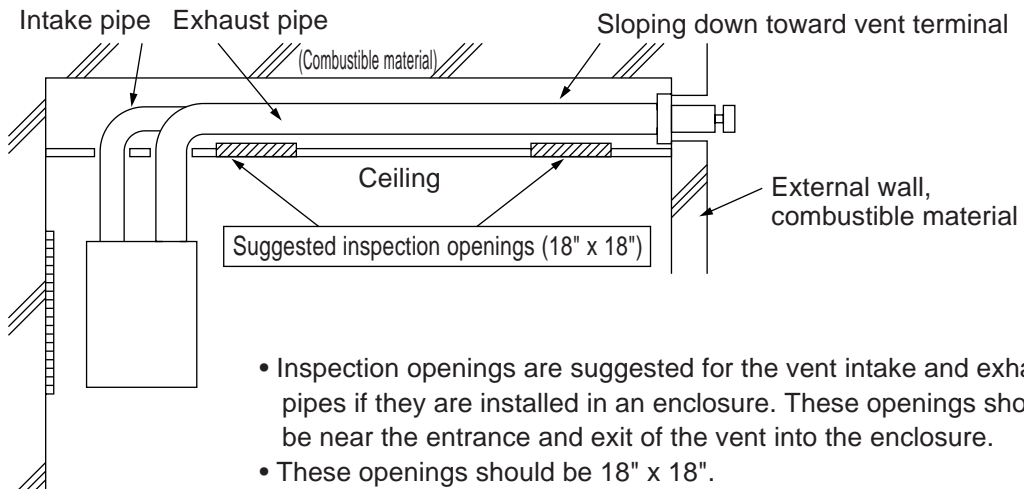
- Terminate at least 12" above grade or snow line
- Terminate at least 7' above a public walkway
- Use a condensation drain if necessary

Vertical Vent Termination



- Terminate at least 6' from the combustion air intake of any appliance, and 3' from any other building opening, gas utility meter, service regulator etc.
- Enclose exterior vent systems below the roof line to limit condensation and protect against mechanical failure.
- When the vent penetrates a floor or ceiling and is not running in a fire rated shaft, a firestop and support is required.
- Terminate the vent system at least 2' above, but not more than 6' above the roof line, or according to the vent pipe manufacturer's instructions.
- Provide vertical support every 12' or as required by the vent pipe manufacturer's instructions.
- Slope the horizontal vent 1/4" downwards for every 12" .
- Do not vent straight upwards. Always have a horizontal section of venting.
- Install a condensation drain in the horizontal section of the venting.

When the intake/exhaust pipes pass through an enclosed space:



- Inspection openings are suggested for the vent intake and exhaust pipes if they are installed in an enclosure. These openings should be near the entrance and exit of the vent into the enclosure.
- These openings should be 18" x 18" .

9. Gas Piping

Follow the instructions from the gas supplier.

The appliance and its individual shutoff valve must be disconnected from the gas supply piping system during any pressure testing of that system at test pressures in excess of 1/2 psig (3.5 kPa).

The Appliance must be isolated from the gas supply piping system by closing its individual manual shutoff valve during any pressure testing of the gas supply piping system at test pressures equal to or less than 1/2 psig (3.5 kPa).

The appliance and its gas connections must be leak tested before placing the appliance in operation.

The inlet gas pressure must be within the range specified. This is for the purposes of input adjustment.

In order to choose the proper size for the gas line, consult local codes or the National Fuel Gas Code ANSI Z223.1.

Gas Pressure

Size the gas line according to total btuh demand of the building and length from the meter or regulator so that the following supply pressures are available even at maximum demand:

Natural Gas Supply Pressure

- Min. 5" WC
- Max. 10.5" WC

LP Gas Supply Pressure

- Min. 10.5" WC
- Max. 14" WC

Gas Meter

Select a gas meter capable of supplying the entire btuh demand of all gas appliances in the building.

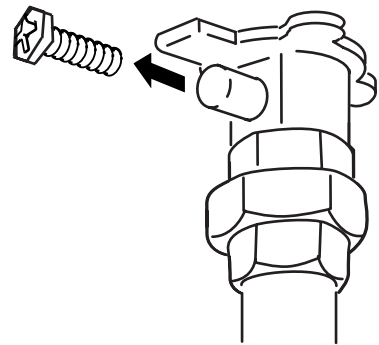
Gas Connection

- Do not use piping with a diameter smaller than the inlet diameter of the water heater.
- Gas flex lines are not recommended unless they are rated for 236,000 btuh.
- Install a gas shutoff valve on the supply line.
- Use only approved gas piping materials.

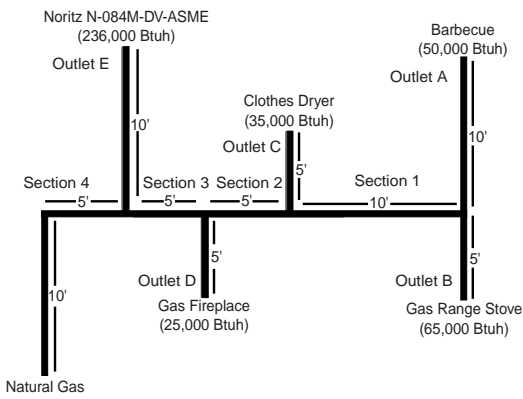
Measuring Gas Pressure

In order to check the gas supply pressure to the unit, a tap is provided on the gas inlet. Remove the hex head philips screw from the tap, and connect a manometer using a silicon tube.

In order to check the gas manifold pressure, a pair of taps are provided on the gas valve inside the unit. The pressure can be checked either by removing the hex head philips screw and connecting a manometer with a silicon tube, or by removing the 1/8" NPT screw with an allen wrench and connecting the appropriate pressure gauge.



Sample Gas Line



**See next page for the pipe capacity charts.

Instructions

1. Size each outlet branch starting from the furthest using the Btuh required and the length from the meter.
2. Size each section of the main line using the length to the furthest outlet and the Btuh required by everything after that section.

Sample Calculation

- Outlet A: 45' (Use 50'), 50,000 Btuh requires 1/2"
- Outlet B: 40', 65,000 Btuh requires 1/2"
- Section 1: 45' (Use 50'), 115,000 Btuh requires 3/4"
- Outlet C: 30', 35,000 Btuh requires 1/2"
- Section 2: 45' (Use 50'), 150,000 Btuh requires 3/4"
- Outlet D: 25' (Use 30'), 25,000 Btuh requires 1/2"
- Section 3: 45' (Use 50'), 175,000 Btuh requires 1"
- Outlet E: 25' (Use 30'), 236,000 Btuh requires 1"
- Section 4: 45' (Use 50'), 411,000 Btuh requires 1 1/4"

Gas Line Sizing for a Noritz N-084M-DV-ASME

Adapted from UPC 1997

Maximum **Natural Gas** Delivery Capacity in Cubic Feet per Hour (0.60 Specific Gravity, 0.5" WC Pressure Drop)

Pipe Size	Length in Feet										
	10'	20'	30'	40'	50'	60'	70'	80'	90'	100'	125'
1/2"	174	119	96	82	73	66	61	56	53	50	44
3/4"	363	249	200	171	152	138	127	118	111	104	93
1"	684	470	377	323	286	259	239	222	208	197	174
1 1/4"	1404	965	775	663	588	532	490	456	428	404	358
1 1/2"	2103	1445	1161	993	880	798	734	683	641	605	536
2"	4050	2784	2235	1913	1696	1536	1413	1315	1234	1165	1033
2 1/2"	6455	4437	3563	3049	2703	2449	2253	2096	1966	1857	1646
3"	11,412	7843	6299	5391	4778	4329	3983	3705	3476	3284	2910
3 1/2"	16,709	11,484	9222	7893	6995	6338	5831	5425	5090	4808	4261
4"	23,277	15,998	12,847	10,995	9745	8830	8123	7557	7091	6698	5936

Contact the Gas Supplier for Btu/Cubic Ft. of the Supplied Gas. 1000 BTU/Cubic Ft. is a Typical Value

Maximum **Liquified Petroleum** (Undiluted) Delivery Capacity in Thousands of Btuh (0.5" WC Pressure Drop)

Pipe Size	Length in Feet												
	10'	20'	30'	40'	50'	60'	70'	80'	90'	100'	125'	150'	200'
1/2"	275	189	152	129	114	103	96	89	83	78	69	63	55
3/4"	567	393	315	267	237	217	196	185	173	162	146	132	112
1"	1071	732	590	504	448	409	378	346	322	307	275	252	213
1 1/4"	2205	1496	1212	1039	913	834	771	724	677	630	567	511	440
1 1/2"	3307	2299	1858	1559	1417	1275	1181	1086	1023	976	866	787	675
2"	6221	4331	3465	2992	2646	2394	2205	2047	1921	1811	1606	1496	1260

** For reference only. Please consult gas pipe manufacturer for actual pipe capacities.

Maximum Capacity of Flex TracPipe® in Cubic Feet per Hour of **Natural Gas** (0.60 Specific Gravity, 0.5" WC Pressure Drop)

Pipe Size	Length in Feet											
	10'	20'	30'	40'	50'	60'	70'	80'	90'	100'	150'	200'
3/4"	206	147	121	105	94	86	80	75	71	67	55	48
1"	383	269	218	188	168	153	141	132	125	118	94	82
1 1/4"	614	418	334	284	251	227	209	194	181	171	137	116
1 1/2"	1261	888	723	625	559	509	471	440	415	393	320	277
2"	2934	2078	1698	1472	1317	1203	1114	1042	983	933	762	661

Maximum Capacity of Flex TracPipe® in Thousands of Btuh **Liquified Petroleum** (0.5" WC Pressure Drop)

Pipe Size	Length in Feet											
	10'	20'	30'	40'	50'	60'	70'	80'	90'	100'	150'	200'
3/4"	325	232	191	166	149	136	126	118	112	106	87	76
1"	605	425	344	297	265	241	222	208	197	186	143	129
1 1/4"	971	661	528	449	397	359	330	307	286	270	217	183
1 1/2"	1993	1404	1143	988	884	805	745	696	656	621	506	438
2"	4638	3285	2684	2327	2082	1902	1761	1647	1554	1475	1205	1045

** For reference only. Please consult gas pipe manufacturer for actual pipe capacities.

TracPipe® is a registered trademark of Omega Flex.

Maximum Capacity for Gas Flex Connectors in Cubic Feet per Hour of **Natural Gas** (0.60 Specific Gravity, 0.5" WC Pressure Drop)

Pipe Size	Length in Inches					
	12"	24"	36"	48"	60"	72"
1/2"	180	150	125	106	93	86
3/4"	—	290	255	215	197	173
1"	—	581	512	442	397	347
1 1/4"	—	1470	1200	1130	960	930

Maximum Capacity for Gas Flex Connectors in Thousands of Btuh **Liquified Petroleum** (0.5" WC Pressure Drop)

Pipe Size	Length in Inches					
	12"	24"	36"	48"	60"	72"
1/2"	288	240	200	169	149	137
3/4"	—	465	409	344	315	278
1"	—	930	825	708	638	556
1 1/4"	—	2352	1920	1808	1536	1488

** For reference only. Please consult gas pipe manufacturer for actual pipe capacities.

10. Water Piping

Ask a qualified plumber to perform the installation of the plumbing. Observe all applicable codes.

This appliance is suitable for potable water and space heating applications. Do not use this appliance if any part has been underwater. Immediately call a qualified service technician to inspect the appliance and replace any part of the control system and gas control which has been under water.

If the water heater is installed in a closed water supply system, such as one having a backflow preventer in the cold water supply line, means shall be provided to control thermal expansion. Contact the water supplier or a local plumbing inspector on how to control this situation.

A pressure relief valve must be installed near the hot water outlet that is rated in accordance with and complying with either The Standard for Relief Valves and Automatic Shutoff Devices for Hot Water Supply Systems, ANSI Z21.22, or The ANSI/ASME Boiler and Pressure Vessel Code, Section IV (Heating Boilers). This pressure relief valve must be capable of an hourly Btu rated temperature steam discharge of 236,000 Btuh. Multiple valves may be used. The pressure relief capacity must not exceed 150 psig. No valve shall be placed between the relief valve and the water heater. The relief valve must be installed such that the discharge will be conducted to a suitable place for disposal when relief occurs. No reducing coupling or other restriction may be installed in the discharge line. The discharge line must be installed to allow complete drainage of both the valve and the line. If this unit is installed with a separate storage vessel, the separate vessel must have its own temperature and pressure relief valve. This valve must also comply with The Standard for Relief Valves and Automatic Gas Shutoff Devices for Hot Water Supply Systems, ANSI Z21.22. (in the U.S. only). A temperature relief valve is not required, but if one is used, do not install the valve with the probe directly in the flow of water. This may cause unwarranted discharge of the valve.

Piping and components connected to the water heater shall be suitable for use with potable water.

Toxic chemicals, such as those used for boiler treatment, shall not be introduced into the potable water.

A water heater used to supply potable water may not be connected to any heating system or components previously used with a nonpotable water heating appliance.

When water is required in one part of the system at a higher temperature than in the rest of the system, means such as a mixing valve shall be installed to temper the water to reduce the scald hazard.

- Flush water through the pipe to clean out metal powder, sand and dirt before connecting it.
- Take appropriate heat insulation measures (e.g., wrapping with heat insulation materials, using electric heaters) according to the climate of the region to prevent the pipe from freezing.
- Use a union coupling or flexible pipe for connecting the pipes to reduce the force applied to the piping.
- Do not use piping with a diameter smaller than the coupling.
- When feed water pressure is too high, insert a depressurizing valve, or take water hammer prevention measures.
- Avoid using joints as much as possible to keep the piping simple.
- Avoid piping in which an air holdup can occur.
- Use approved piping materials.
- If installing the unit on a roof:

If the unit is installed on a roof to supply water to the levels below, make sure that the water pressure supplied to the unit does not drop below 29 psi. It may be necessary to install a pump system to ensure that the water pressure is maintained at this level.

Check the pressure before putting the unit into operation.

Failing to supply the proper pressure to the unit may result in noisy operation, shorter lifetime of the unit, and may cause the unit to shut down frequently.

Supply water piping

- Do not use PVC piping.
- Mount a check valve and a shut off valve (near the inlet).
- In order for the client to use the water heater comfortably, 98.1 to 491 kPa (14 to 70 PSI) of pressure is needed from the water supply.
Be sure to check the water pressure. If the water pressure is low, the water heater cannot perform to its full capability, and may become a source of trouble for the client.

Drain piping

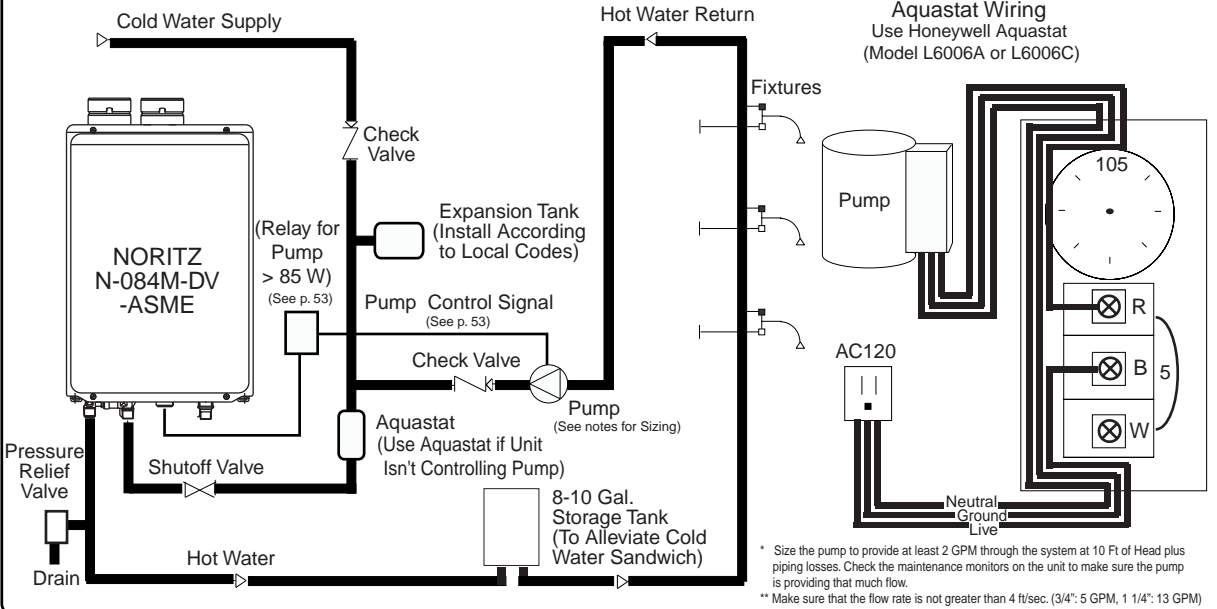
- Expansion water may drop from the pressure prevention device and wet the floor. If necessary, provide drain piping or use a drain hose to remove the water.

Hot water piping

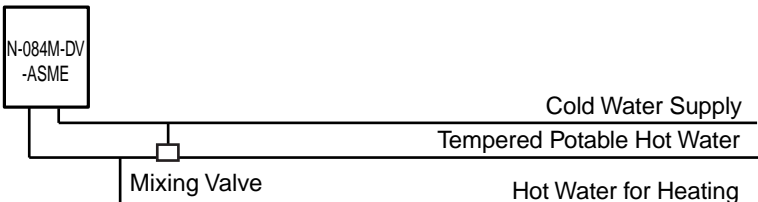
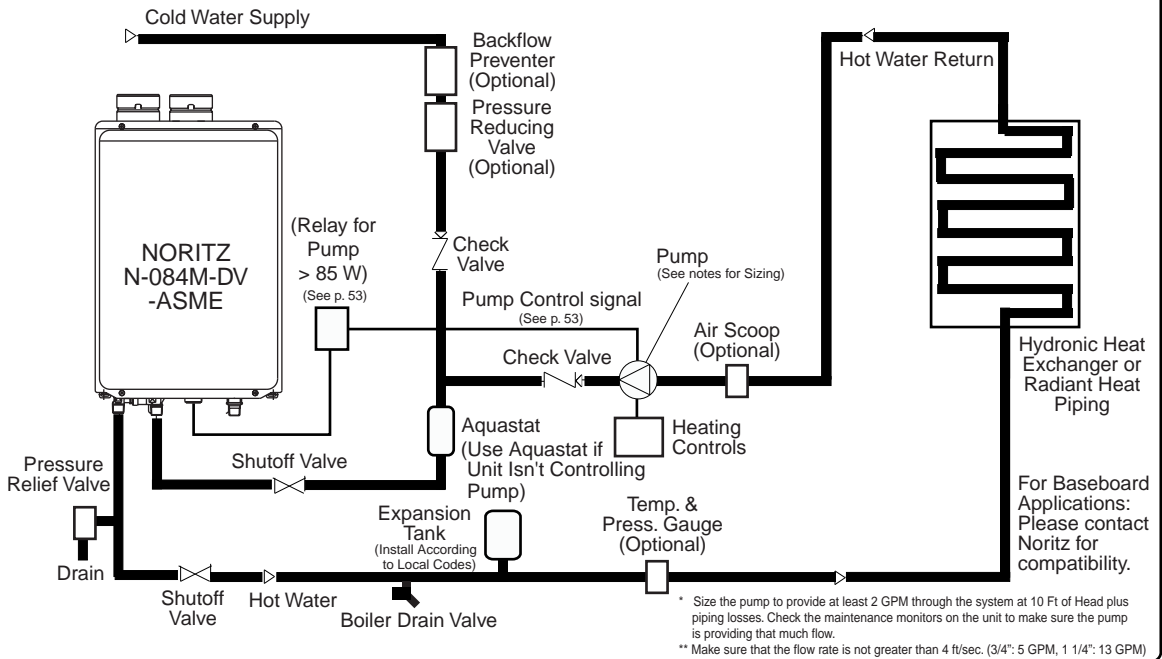
- Do not use lead or PVC piping.
- The longer the piping, the greater the heat loss. Try to make the piping as short as possible.
- Use mixing valve with a low water resistance. Use shower heads with low pressure loss.
- If necessary, use a pump or other means to ensure that the supply water pressure to the inlet of the heater does not fall below 29 PSI when the maximum amount of water is being demanded. Also install a pressure meter on the inlet. If this is not done, local boiling will occur inside the water heater causing abnormal sounds and decreasing the durability of the heat exchanger.

11. Plumbing Applications

Recirculation System



Heating System



For Space Heating Purposes:

If the system requires water for space heating at a higher temperature than for other uses, means such as a mixing valve shall be provided to temper the water for the other uses to help prevent scalding.

12. Electrical Wiring

Consult qualified electrician for the electrical work.



Do not connect electrical power to the unit until all electrical wiring has been completed.

This appliance must be electrically grounded in accordance with local codes, or in the absence of local codes, with the National Electrical Code, ANSI/NFPA 70. In Canada, the latest CSA C22.1 Electrical Code.

Caution: Label all wires prior to disconnection when servicing controls. Wiring errors can cause improper and dangerous operation.

Verify proper operation after servicing.

Field wiring to be performed at time of appliance installation.



Caution

Do not turn on the power until the electrical wiring is finished. This may cause electrical shock or damage to the equipment to occur.

- The electrical supply required by the water heater is 120V AC at 60 Hz. The power consumption may be up to 135W or higher if using optional accessories. Use an appropriate circuit.
- Do not disconnect the power supply when not in use. When the power is off, the freeze prevention in the water heater will not activate, resulting in possible freezing damage.

- Do not let the power cord contact the gas piping.

Tie the redundant power cord outside the water heater. Putting the redundant length of cord inside the water heater may cause electrical interference and faulty operation.

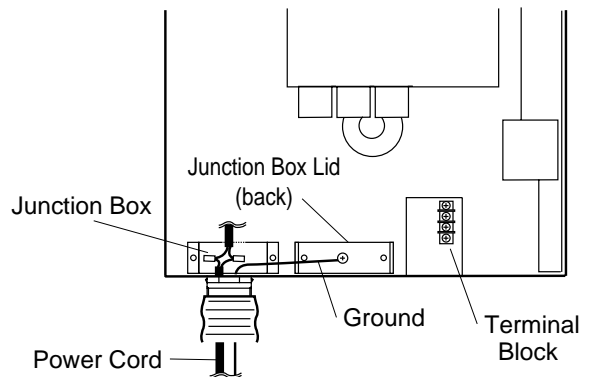
Ground

- To prevent electrical shock, provide a ground with resistance less than 100Ω . An electrician should do this work.
- A grounding screw is provided on the back of the junction box lid.

Do not connect the ground to the city water or gas piping. Do not tie the ground to a telephone line.

Breaker Installation

- Mount a device which shuts off the electrical path automatically (leakage breaker) when electrical leakage is detected.



1. Unscrew the junction box lid and open.
2. Push the power cord through the bottom of the unit.
3. Connect the live and neutral wires to the black and white wire in the junction box.
4. Screw the ground wire to the ground screw on the back of the junction box lid and close junction box.

Remote Controller

- Applicable Model

N-084M-DV-ASME	
Remote controller	RC-7646M-2

Install the remote controller according to the instructions in the Installation Guide (p. 61).

- The N-084M-DV-ASME can be programmed so that it will default to one of four temperatures if the remote controller is removed (180, 140, 130, 120°F). To change the default temperature, the remote controller must be initially installed, and removed after programming.

* Changing the default temperature setting:

1. Within the first ten minutes of connecting electrical power to the unit, but before pressing the Power On/Off button, hit the up [▲] or down [▼] button on the remote controller. This will put the unit into maintenance writer mode. If pressing either of these buttons does not put the unit into maintenance writer mode, unplug the unit for sixty seconds and try again.
2. The maintenance monitor item number will flash on the display. (the initial item number will be "99").
3. The up [▲] and down [▼] buttons can be used to change the maintenance writer item number.
4. Choose a temperature from the chart below and set the 14 and 15 maintenance writers according to the chart. Pressing the Flow Meter Alarm Set button for 0.5 seconds will switch the indicated item number from "OFF" to "ON" or "ON" to "OFF". If the Priority lamp is flashing when an item number is displayed, this indicates an "ON" setting for that item number, and if the Priority lamp is off, the item number is off.

*Do not change the other item numbers. This may cause a fault in the water heater.

5. After setting the 14 and 15 item numbers for the desired temperature, press and hold the up [▲] and down [▼] buttons together for five seconds to confirm the new settings. The remote controller will emit a tone when the settings are confirmed. If this is not done, the unit will not put the setting changes into effect. After confirming the setting, remove the remote controller to initiate the default temperature setting.

Note: The setting changes can be cancelled by pressing the Power On/Off button before confirming the settings, or if the unit is left alone for ten minutes without confirming the settings. If the default setting needs to be changed again, disconnect the electrical power to the unit, reconnect it and follow this procedure again.

Temp. \ Item No.	14	15
180°F	ON	ON
140°F	OFF	ON
130°F	ON	OFF
120°F*	OFF	OFF

* Factory Default Setting

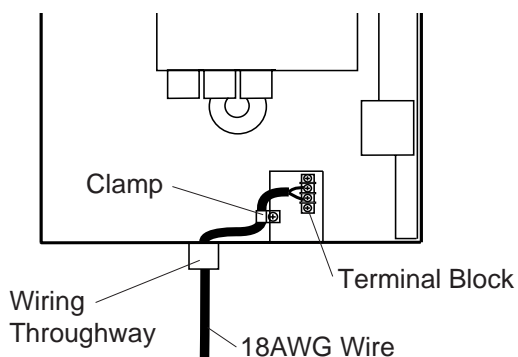
Connecting Remote Controller Cord to Unit

- Keep the remote controller cord away from the freeze prevention heaters in the unit.
- Tie the redundant cord outside the water heater. Do not put the extra length inside the equipment.
- The remote controller cord can be extended up to 300' with 18AWG wire.
- Use a Y type terminal with a resin sleeve. (Without the sleeve, the copper wire may corrode and cause problems).
- Be sure to hand tighten when screwing to the terminal block. Power tools may cause damage to the terminal block.

Remote controller cord

- For extensions, a 26' cord can be purchased (Part # RC-CORD26) or use 18AWG wire.
- Install according to the National Electrical Code and all applicable local codes.

1. Leave enough slack so that the remote controller cord will not be damaged if the unit is removed from the wall.
2. Remove the front cover of the heater (4 screws).
3. Pass the remote controller cord through the wiring throughway and into the unit.
4. Connect the Y terminals at the end of the remote controller cord to the terminal block.
5. Secure the remote controller cord with a clamp.
6. Replace the front cover.

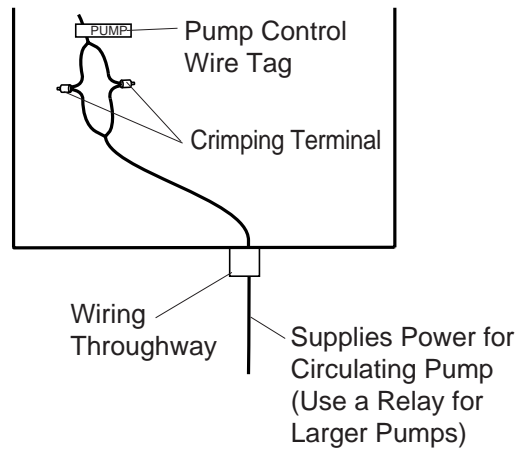


Pump Wiring

* This feature is not available when using the Quick Connect Multi System feature.

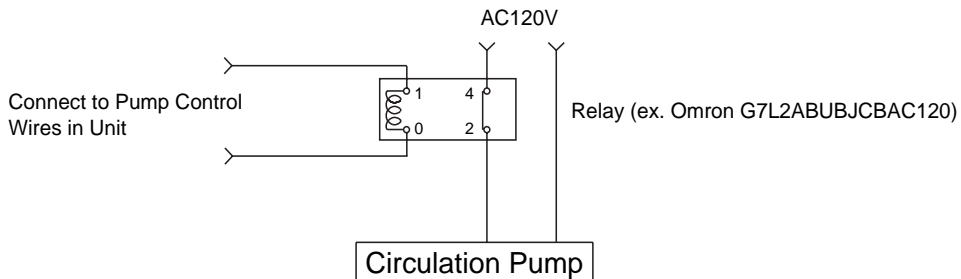
Connecting the pump control wire

1. Leave enough slack so that the pump control wires will stay connected if the unit is removed from the wall.
2. Remove the front cover of the heater (4 screws).
3. Cut off the connector at the end of the pump control wires.
4. Wire the pump control wires through the wiring throughway and connect them to the wiring inside the pump (this will be the power supply for the pump, do not also connect 120 V to the pump).
If a large pump is being used (greater than 85 W) use the voltage from these wires as the signal to close a normally open relay through which 120 V will be supplied directly from a wall circuit to the pump.
5. Replace the front cover.



Relay connection with larger pumps (>85 W)

1. Locate and prepare the pump control wires as described above.
2. Choose a suitable installation location for the relay where it will be protected from moisture.
3. Connect the pump control wires from the heater to the signal input on the relay.
4. Cut one of the electrical supply leads and wire it across the open terminals of the relay.
5. Secure all connections and replace the front cover of the heater.



13. Maintenance

Periodically check the following to ensure proper operation of the water heater.

- The venting system must be examined periodically by a qualified service technician to check for any leaks or corrosion.
- The burner flame must be checked periodically for a proper blue color and consistency.
- If the flame does not appear normal, the burner may need to be cleaned.
- If the burner needs to be cleaned, it must be performed by a qualified service technician.
- Do not obstruct the flow of combustion and ventilation air.
- The pressure relief valve must be operated once a year to ensure that it is functioning properly and there is no obstruction. Turn the power off to the unit before opening the relief valve, and make sure that water draining out of the valve will not cause any damage.
- If the relief valve discharges periodically, it may be due to thermal expansion in a closed water system.
- Contact the water supplier or a local plumbing inspector on how to correct this situation. Do not plug the relief valve. See Operation Manual for further maintenance.

Warning: There is a scald potential if the output temperature is set too high.

Should overheating occur, or the gas supply fail to shut off, turn off the manual gas control valve to the appliance. Do not use this appliance if any part has been under water. Immediately call a qualified service technician to inspect the appliance and to replace any part of the control system and any gas control which has been under water.

Periodically check and clean the filter inside the cold water inlet of the unit.

14. Trial Operation

The installer should test operate the unit, explain to the customer how to use the unit, and give the owner this manual before leaving the installation

- Preparation (1) Open a hot water fixture to confirm that water is available, and then close the fixture.
(2) Open the gas supply valve, turn on the power supply, and press the Power On/Off button on the remote controller (the Operation lamp will turn on).

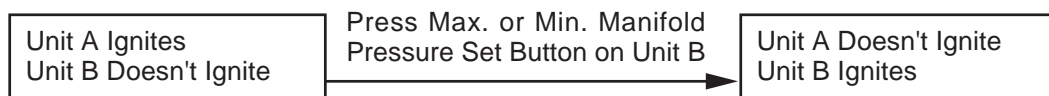
- (1) Open a hot water fixture and confirm that the Burner On lamp comes on, and that hot water is being produced. (If necessary, repeat until the air in the gas piping is bled out).
 - * White smoke may be noticed from the exhaust vent during cold weather. However, this is not a malfunction of the unit.
 - * If an "11" error code appears on the remote controller, turn the unit off and then back on again, and then open a hot water fixture again.
- (2) Change the temperature setting on the remote controller and check that the water temperature changes.

- If the water heater does not operate normally, refer to "Troubleshooting" in the Operation Manual.
- * After the trial operation, clean the filter in the cold water inlet.

<If installed with a quick connect multi-system>

- Turn the system power on with the remote controller.
- Slowly open a hot water fixture and check that the units ignite sequentially. Check to see that the hot water temperature is the same as the temperature displayed on the remote controller. (*1)

* If both units do not ignite, switch which unit will ignite first by pressing the Max. or Min. Manifold Pressure Set Button on the circuit board (see p. 56). (*2)



* If an 11 or F11 error code flashes on the remote controller, hit the Power Button on the remote controller off and on 2-3 times.

* If (*1) and (*2) cannot be done, the Quick Connect Cord may not be properly connected. Check that the cord is properly connected.

⚠ Caution

Handling after trial operation

- If the unit will not be used immediately, close off all gas and water shutoff valves, drain all of the water out of the unit and the plumbing system to prevent the unit and system from freezing, and bleed the gas out of the gas line.
Freezing is not covered by the warranty.

Lighting Instructions

This water heater does not have a pilot. It is equipped with an ignition device that automatically lights the burner.

Do not try to light the burner by hand.

1. Read the safety information in the installation manual or on the front of the water heater.
2. Turn off all electrical power to the unit.
3. Do not attempt to light the burner by hand.
4. Turn the gas control manual valve (external to the unit) clockwise to the off position.
5. Wait five minutes to clear out any gas. If the smell of gas remains, stop, and follow the instructions on page 3 of this manual.
6. Turn the gas control manual valve counterclockwise to the on position.
7. Turn on electric power to the unit.
8. The unit will now operate whenever hot water is called for. If the unit will not operate, follow the shutdown instructions and call a service technician.

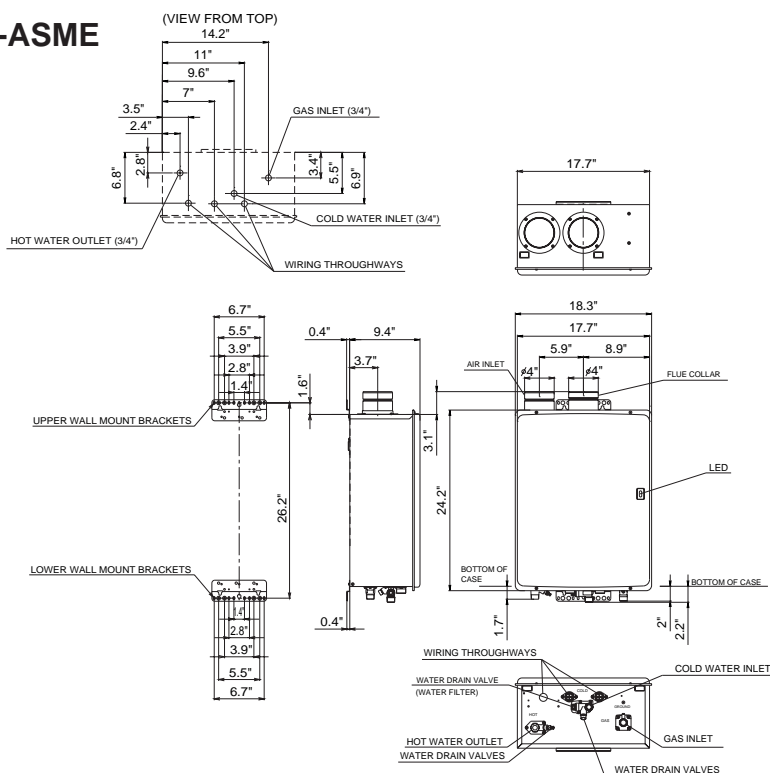
Shutdown Instructions

1. Stop any water demand.
2. Turn off electric power.
3. Turn the gas control manual valve clockwise to the off position.

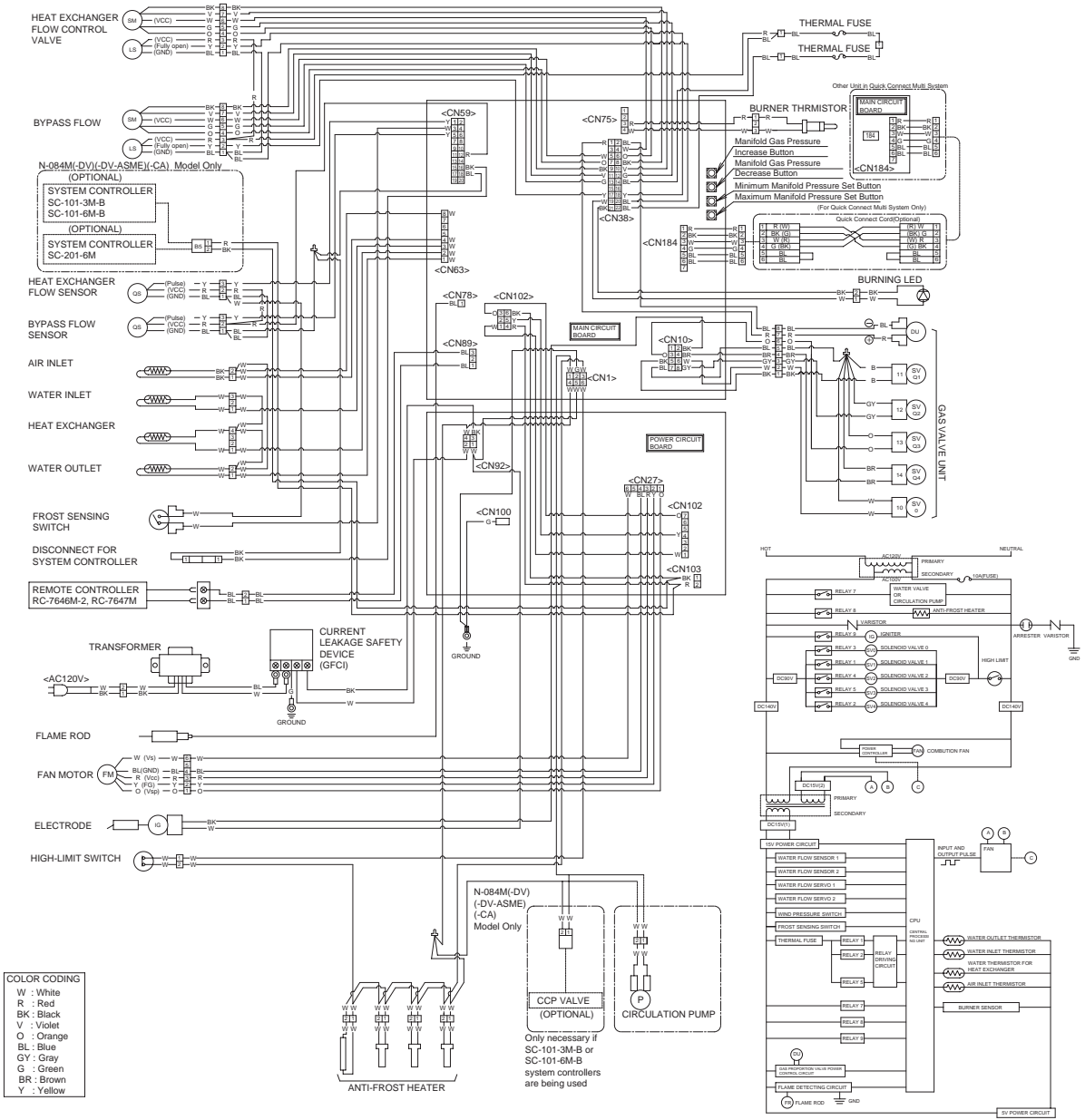
Should overheating occur, or the gas supply fail to shut off, turn off the manual control valve to the appliance.

15. Dimensions

N-084M-DV-ASME



WIRING DIAGRAM (MODEL : N-084M-DV-ASME)



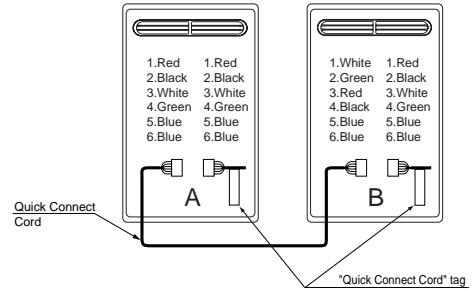
Connecting Quick Connect Cord

For Quick Connect Multi System Installation
use a Quick Connect Cord (Sold Separately).

Caution

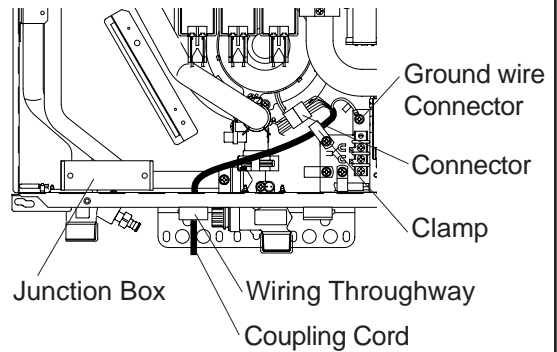
The wire coloring on the Quick Connect Cord will not be the same as the wire coloring from the connection plug inside the unit.

* The remote controller can be connected to either unit A or B.



Instruction for connecting the Quick Connect Cord to each unit:

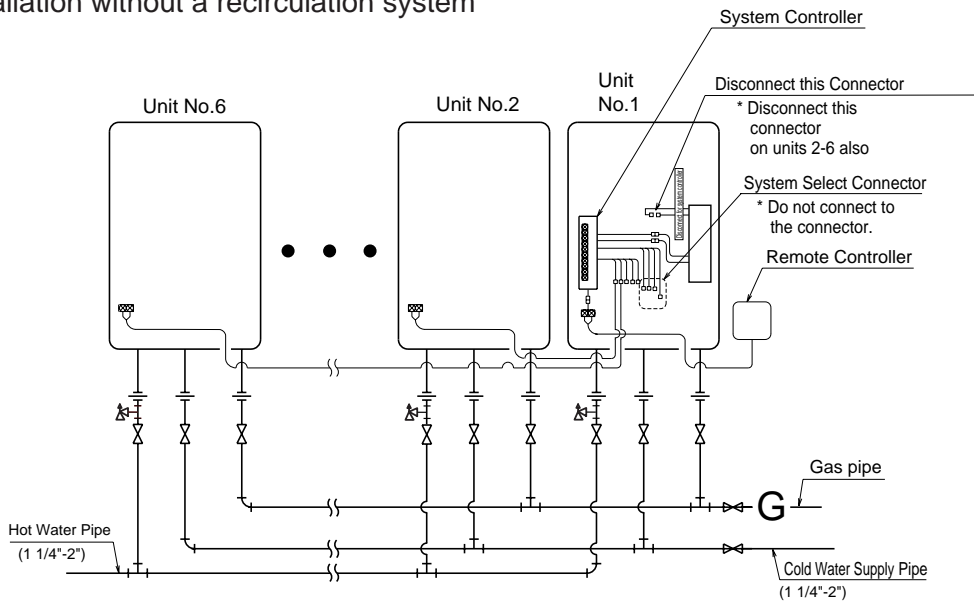
1. Turn off the power.
2. Remove the front cover of the heater (4 screws).
3. Pass the Quick Connect Cord through the wiring throughway and into the unit.
4. Plug the connector on the Quick Connect Cord to the receptacle inside the unit.
5. Attach the ground wire of the Quick Connect Cord to the terminal block fixing plate.
(If the ground wire is not attached, electrical noise may cause problems)
6. Secure the coupling cord with a clamp.
7. Replace the front cover.



16. Multi-System

Install one system controller
(SC-201-6M) for every six units.

A. Installation without a recirculation system

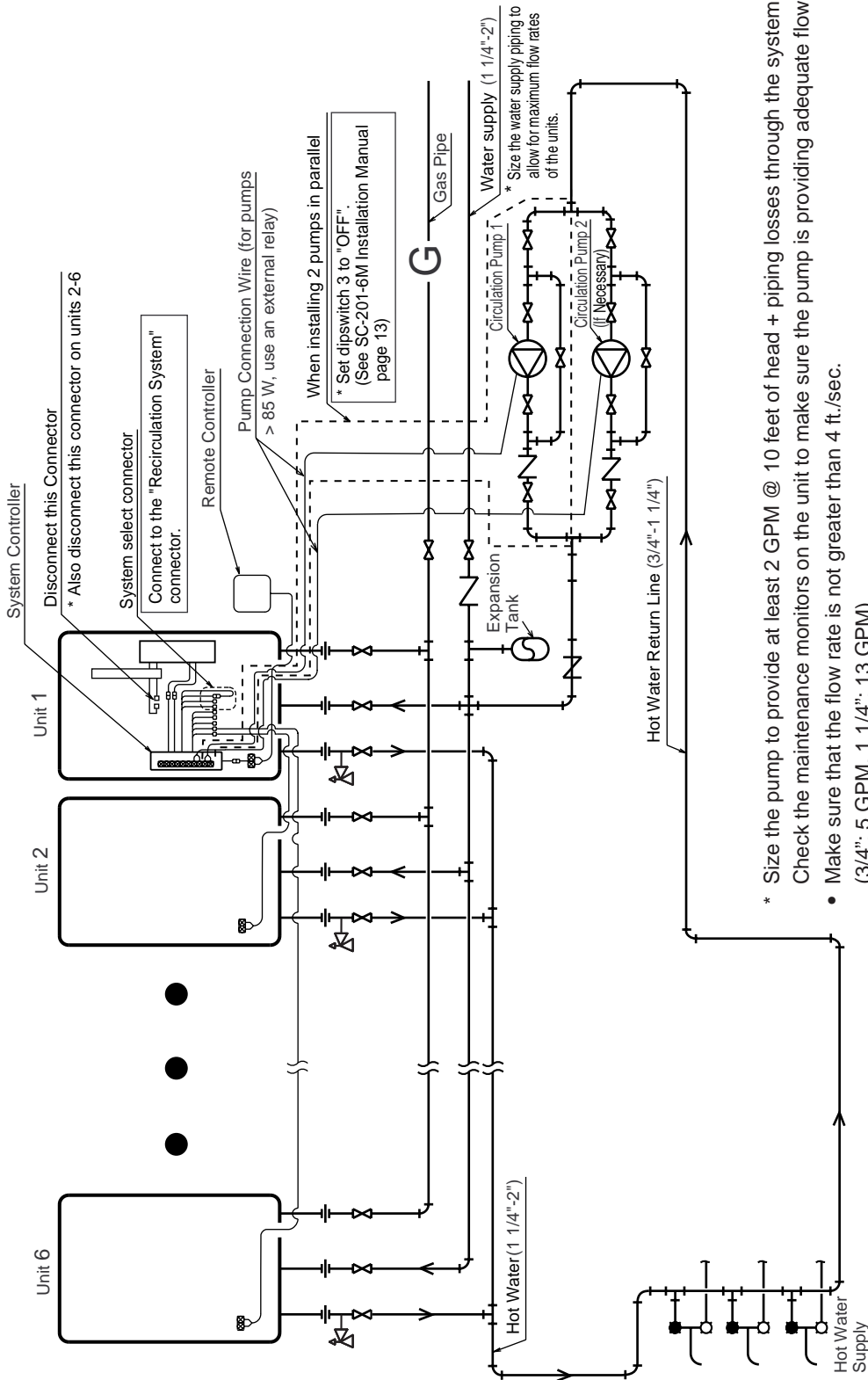


- Insulate or apply heating materials to both the cold water supply piping and the hot water piping to prevent freezing during cold weather and to prevent heat loss through the piping.

B-1. Example of Recirculation with a Multi-System

This system will make hot water more quickly available to remote fixtures.

The pump will circulate water through the loop until the entire loop is warm, and then the system controller will turn off the pump until the loop cools down.



* Size the pump to provide at least 2 GPM @ 10 feet of head + piping losses through the system.

Check the maintenance monitors on the unit to make sure the pump is providing adequate flow.

• Make sure that the flow rate is not greater than 4 ft./sec.

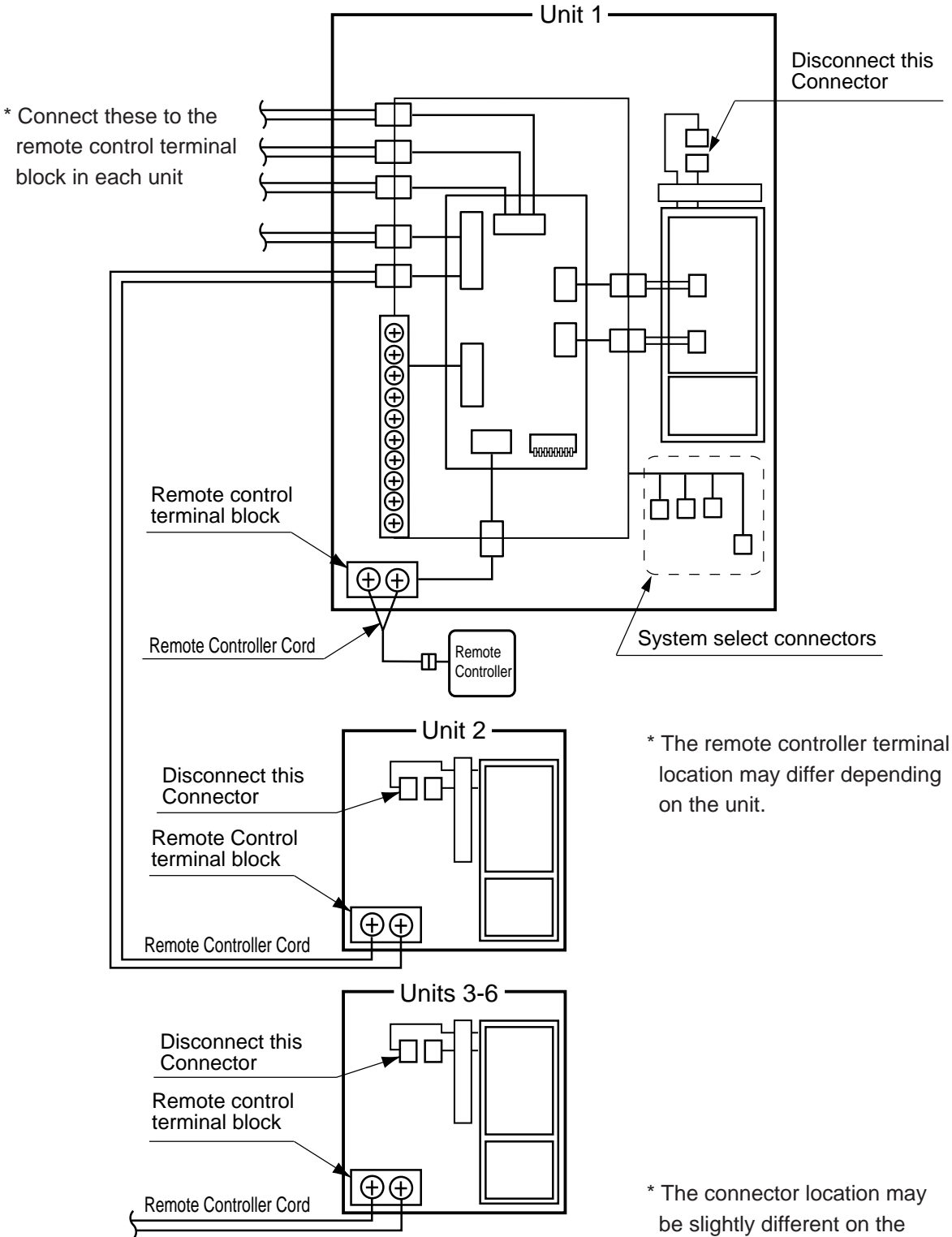
(3/4": 5 GPM, 1 1/4": 13 GPM)

If the flow is too low, the recirculation loop temperature will not be warm enough, if the flow is too high, the lifetime of the unit will be reduced.

* If there are multiple circulation loops, try to make the flow rate .75-1.25 GPM in each loop.

* Use copper or stainless water piping for the entire system.

Multi-System Wiring (Use SC-201-6 M)



* The remote controller terminal location may differ depending on the unit.

* The connector location may be slightly different on the actual circuit boards than in these illustrations.

Remote Controller RC-7646M-2

For Installers:

Read this installation guide carefully before carrying out installation.

Installation Guide

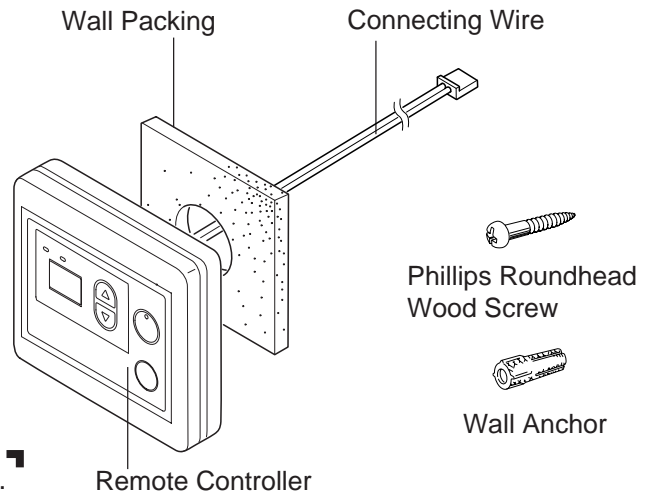
NORITZ AMERICA CORPORATION

Note

Do not connect power to the water heater before the remote controller has been properly installed.

Included Parts List

Part Name	Quantity
Remote Controller	1
Wall Packing	1
Phillips Roundhead Wood Screw	2
Wall Anchor	2



Do not disassemble the remote controller.

Notes on the Installation Location

- The remote should be installed in an easily accessible location.
- Avoid installing in a place where water may splash on the controller.
- Avoid locations where special chemical agents (e.g., benzene, fatty and oily detergents) are used.
- Avoid outdoor installation, or installation in an indoor location where it will be exposed to direct sunlight.

Connection of Remote Controller Cord

White Connector → To Remote controller

Y-shaped terminals → To Water heater (two-core)

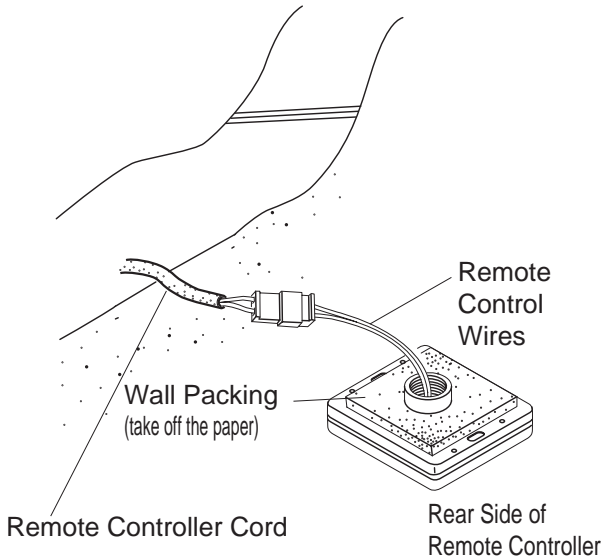
* Confirm the connection with the labels at both ends of the remote controller cord.

• A 26' cord can be purchased separately (Part # RC-CORD26).

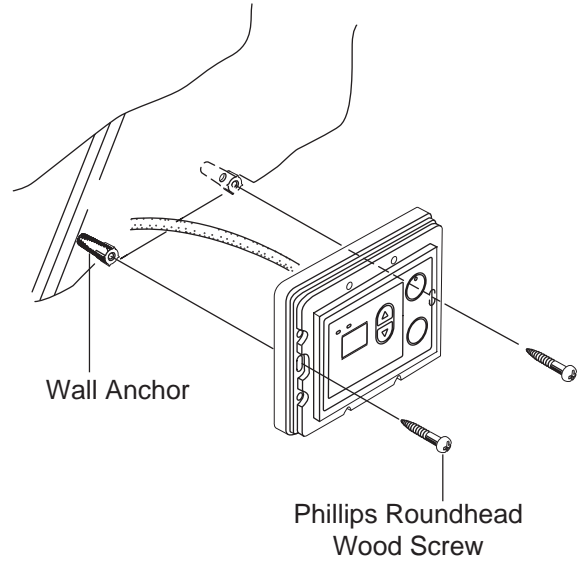
• The remote controller cord can be extended up to 300 ft. by splicing the cord and using 18 gauge wire to extend the cord to the appropriate length.

Installation

1. Apply Wall Packing to the rear side of the remote controller.
2. Connect the remote controller wires to the separate remote controller cord.



3. Remove the cover of the remote control, mark the location of the screw holes, and drill holes for the wall anchors.
4. Insert the wall anchors, screw the remote control to the wall and replace the cover.



17. Vent Terminal Installation Manual

Vent Terminal

Model Numbers:
 VT4-TL-5
 VT4-TL-8
 VT4-TL-14
 VT4-TL-27

Icons warning of risk level:



WARNING

Denotes content that may result in personal injury or property damage if ignored.



Prohibited



CAUTION

This symbol warns of hazards which have the immediate potential to result in severe or lethal personal injury or fire.



Be sure to do

Directions for Installers



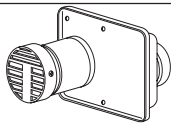
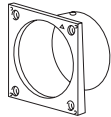
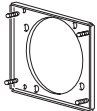


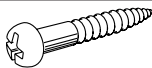

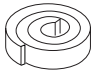
WARNING

- To operate the water heater properly and safely, comply with this installation manual and the installation manuals of any other equipment.
- The vent terminal must be installed in accordance with all local, state and federal codes.

- Installation must conform with local codes, or in the absence of local codes, the National Fuel Gas Code, ANSI Z223.1/NFPA 54.
- Failures and damage caused by erroneous work or work not as instructed in this manual are not covered by the warranty.

1. Included Accessories

The following accessories are included with the unit. Check for any missing items before starting installation. (They are all attached to the product body.)

Part	Shape	Q'ty	Part	Shape	Q'ty
Flue Terminal		1	Sleeve		1
Wall Flange		1	Wing Nut		4
Tapping Screw		4	Rounded Wood Screw		Long: 2 Short: 2
Wall Anchor		4	Packing (only for products for wall thicknesses of 14.6" to 27")		1

2. Before Installation



Compatibility Check

- Make sure that the vent terminal is compatible with the product it will be installed with. If an improper terminal is used, a fire hazard will be created.

Choosing Installation Site

- Maintain the proper clearances to combustibles
The heat and moisture from the water heater may cause corrosion of aluminum materials.
- Install the vent terminal so that it is easily accessible for maintenance from both the indoors and the outdoors.
- Install the vent terminal so that all exhaust is directed to and all intake air is taken from the outdoors.
- Steam or condensed water may drip out of the vent terminal. Dispose of this condensed water according to local codes and in order to prevent injury or property damage.

Check Wall Thickness

- This vent terminal model has four different sizes. Choose the correct model to fit the thickness of the wall that the terminal will pass through.

Model name	Wall thickness
VT4-TL-5	3.5" to 5"
VT4-TL-8	5" to 8.5"
VT4-TL-14	8.5" to 15"
VT4-TL-27	15" to 27"

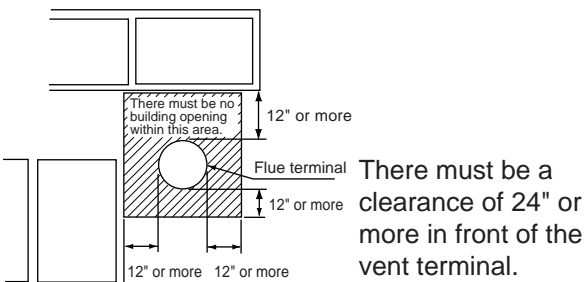
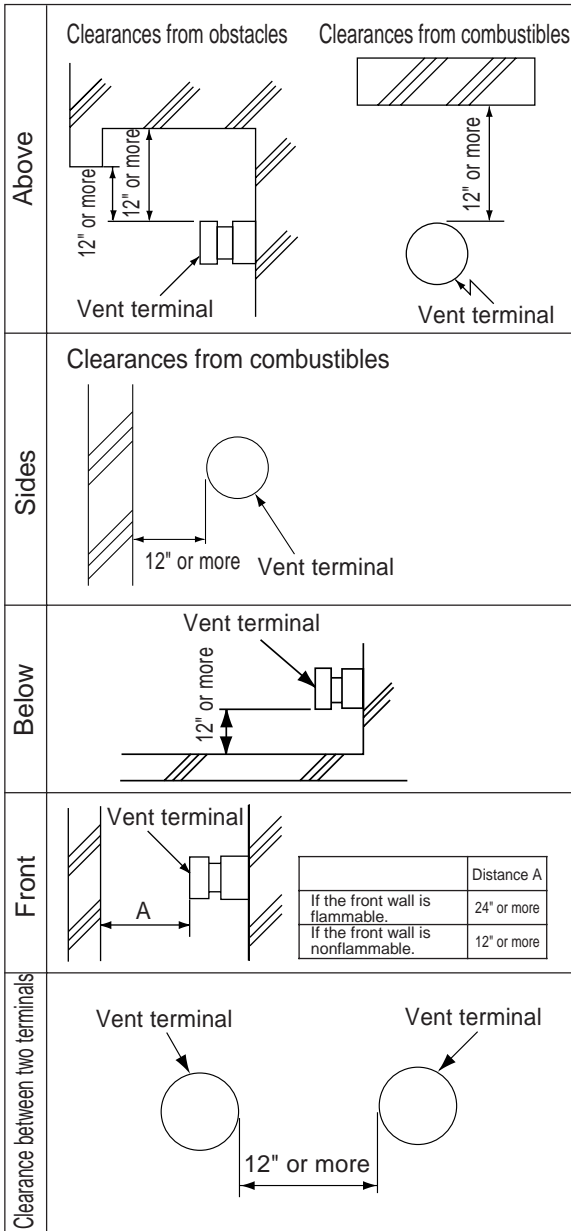
Vent Pipe Replacement Precautions

- The vent system will almost certainly need to be replaced when this appliance is being installed. Use vent pipe that is listed to UL 1738 for Category III appliances for the exhaust venting. Category III listed vent pipe is suggested for the air supply also, but other materials may be acceptable. Consult local codes.
- * If Category III listed vent pipe is already installed, check for punctures, cracks or blockages and consult with the vent pipe manufacturer before reusing.
- * Make sure the vent pipe is compatible with the vent terminal before installation.

3. Installation Requirements



Vent Terminal Clearance Requirements

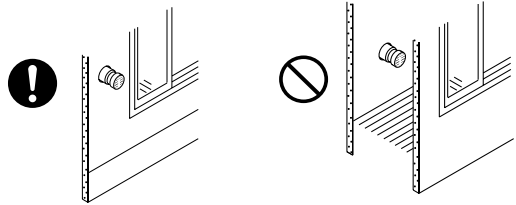


• This restriction will not be applied to an area where an effective shield makes a clearance of 24" or more in front of the exhaust outlet.

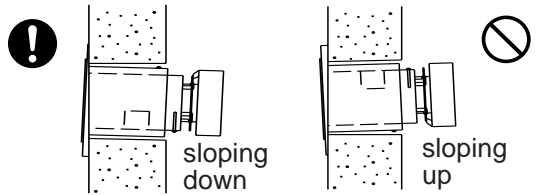
Vent terminal installation precautions

Note the following vent terminal installation requirements.

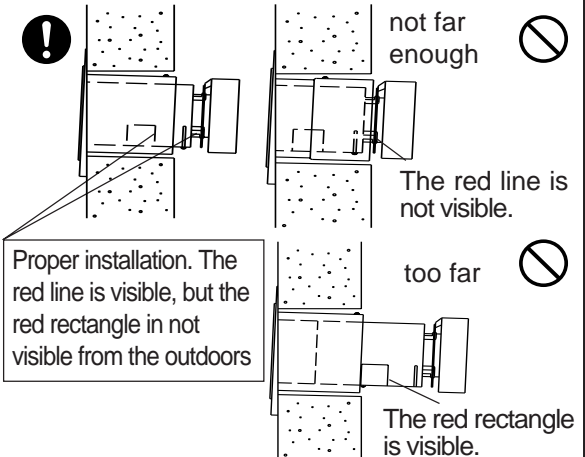
1) Do not install the vent terminal indoors



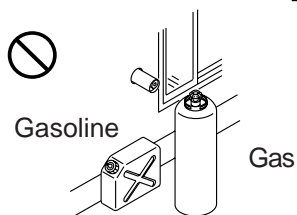
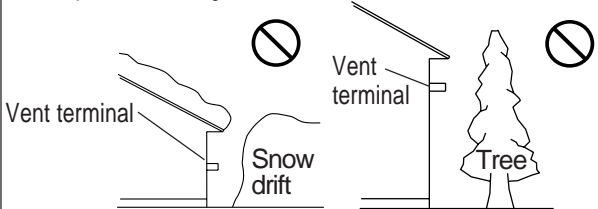
2) Install the vent terminal with a downward slope



3) Install with the proper length protruding through the wall



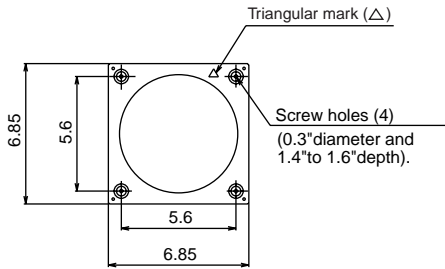
4) Avoid installing the terminal where obstacles will block it



4. Vent Terminal Installation Procedure

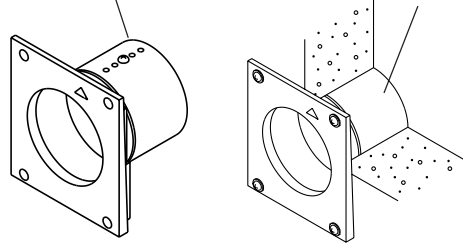
* When drilling, take care not to damage electric wiring, or gas or water piping in walls.

- 1) Determine the vent terminal installation location and make a 6.3" diameter hole. Install the sleeve into the hole with the triangular mark (Δ) pointing up. Use the wall anchors and rounded wood screws.

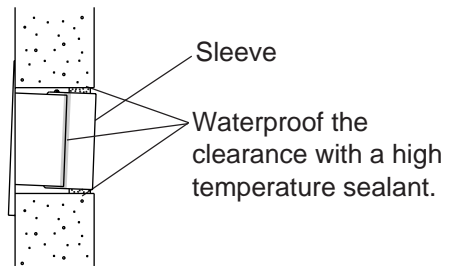
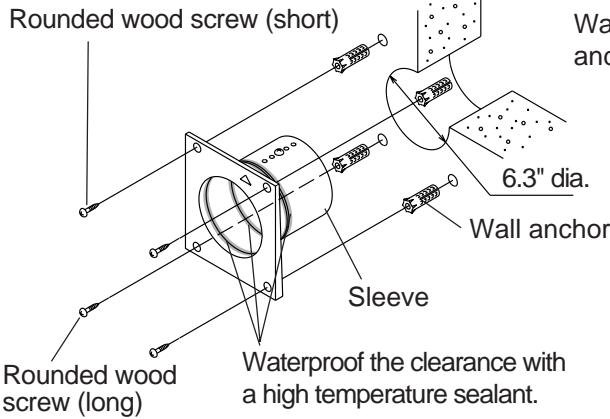


Before installing the sleeve, adjust its length to fit the wall thickness. (The length can be adjusted in increments of 0.4".)

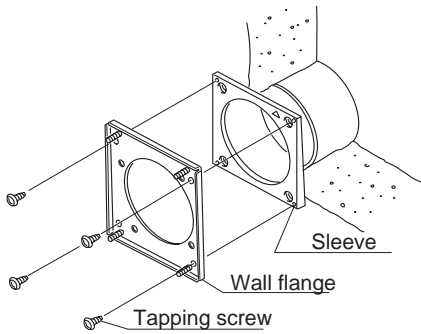
Remove this screw and slide out the external cylinder until it is flush with the external wall and replace screw.



Waterproof the clearance between the sleeve and wall hole with a high temperature sealant.



- 2) Attach the wall flange to the sleeve.



* The proper flange orientation depends on the desired orientation of the vent terminal.

* Unless the vent terminal is installed as in option (1) in the chart to the right, the outlet will need to be adjusted in order to ensure it is oriented in the proper direction.

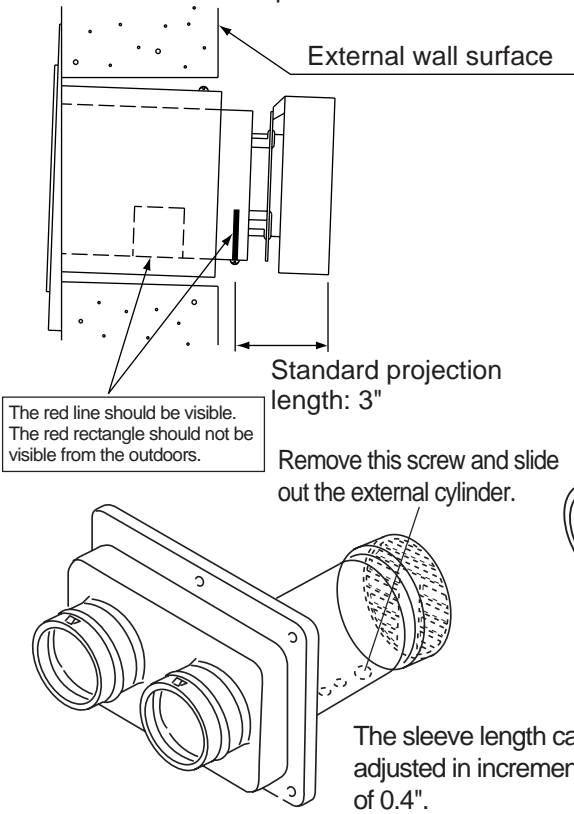
	Terminal Orientation	Flange Orientation	Outlet Orientation
(1)	Up Intake Exhaust Down	6.9" 8.3"	Top Bottom
(2)	Up Exhaust Intake Down	6.9" 8.3"	Incorrect Correct !
(3)	Up Exhaust Intake Down	6.9" 8.3"	Incorrect Correct !
(4)	Up Intake Exhaust Down	The terminal cannot be installed in this orientation.	

3) Adjusting the vent terminal length

Make sure the vent terminal has been set to the appropriate length and the outlet is oriented properly to prevent combustion and operation problems.

The length of the vent terminal must be adjusted to fit with the wall thickness before the installation is completed.

Note: If the vent terminal will be installed in orientations (2) or (3) from the table on the previous page, the outlet cylinder will have to be rotated so that it is oriented properly.

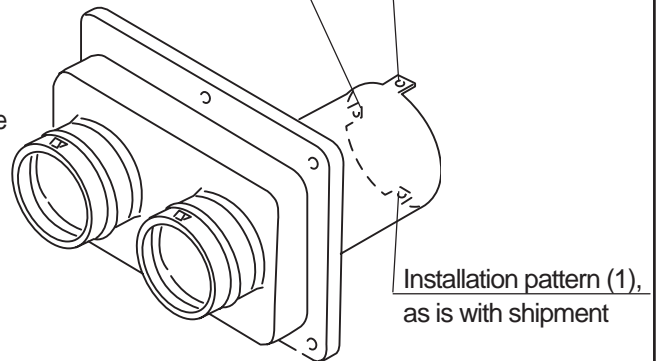


<Screw positions>

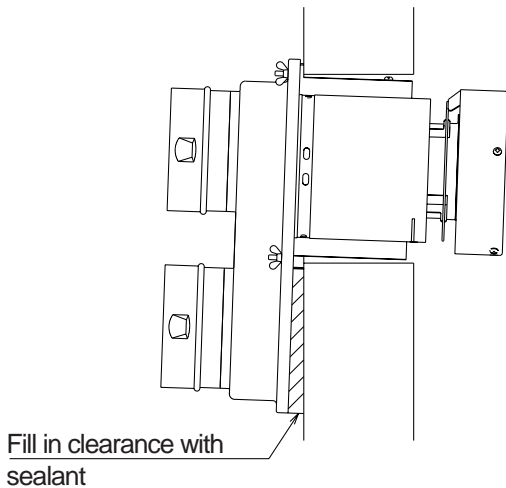
The following figure shows the points to screw the cylinder to for the different installation orientations.

Screwing position for installation pattern (3)

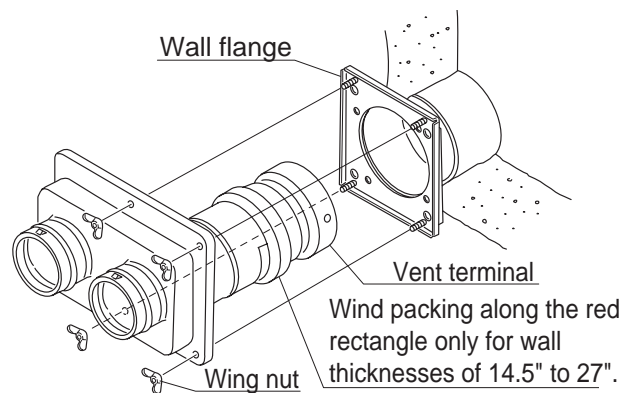
Screwing position for installation pattern (2)



4) Attach vent terminal to the wall flange.



The following figure shows installation pattern (1).

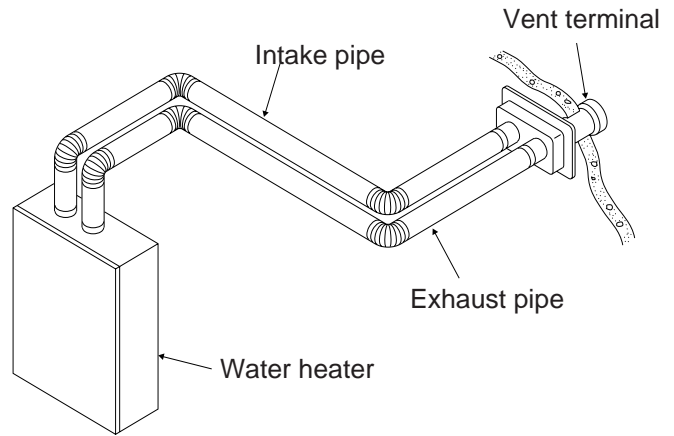


* Installation pattern (3) yields a clearance between the vent terminal and the wall surface. Fill this clearance with a high temperature sealant.

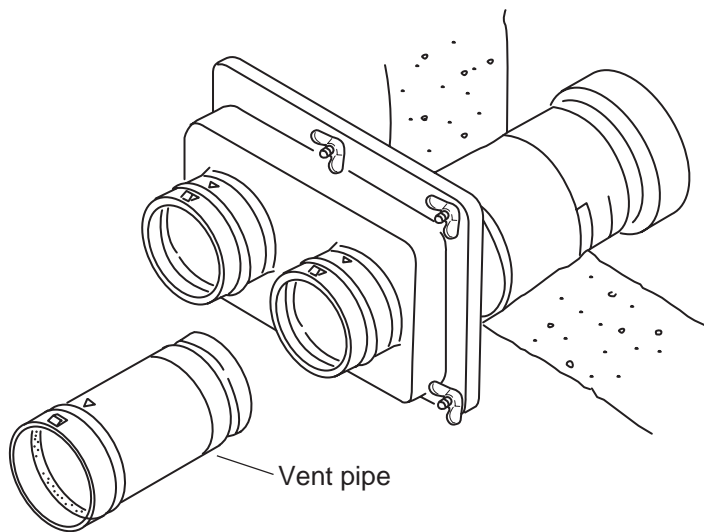
5) Connect the heater and vent terminal using 4" diameter supply and exhaust pipes.

Make sure the connections are secure and take measures to prevent exhaust gas from leaking. Use Category III listed vent pipe approved to UL 1738.

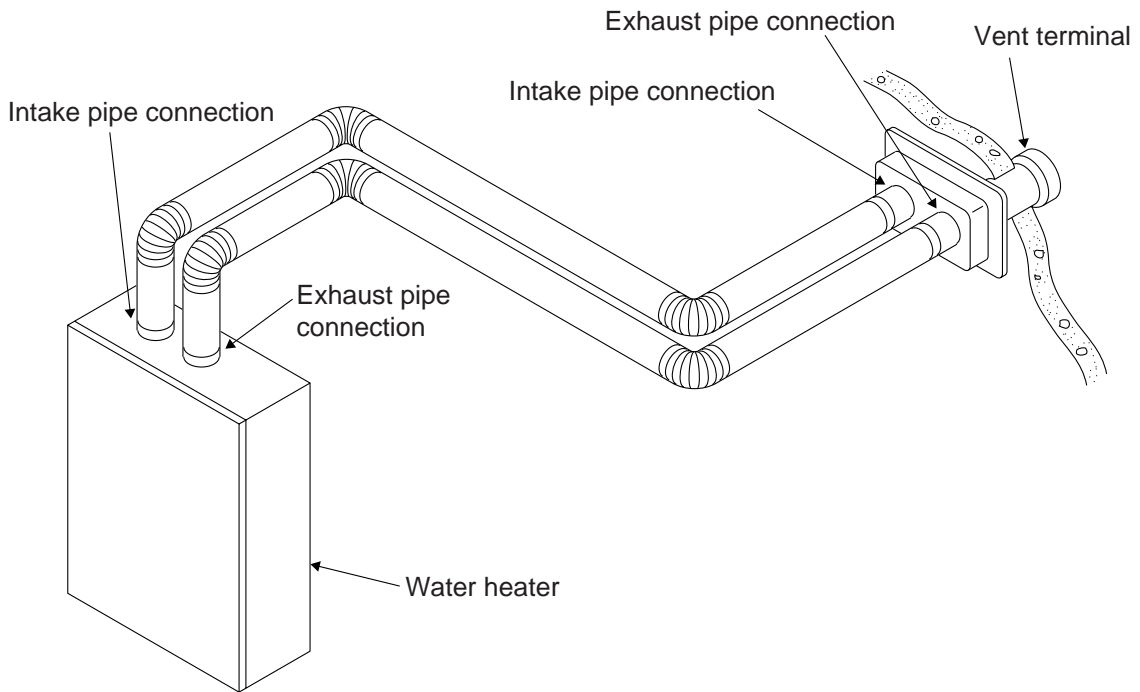
Seal any connections that are not gas tight using a high temperature silicone sealant.



Connect the vent pipe to the vent terminal as follows:



5. Installation Overview



Vent pipe installation precautions

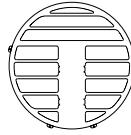
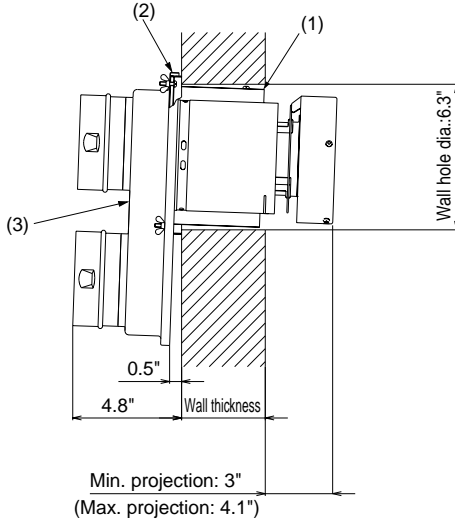
- Do not extend the vent pipe longer than the maximum limits as stated in the installation manual. Vent lengths longer than the stated maximum are dangerous and may cause a fire or explosion
- Avoid installing the vent pipe in an enclosure if possible.
- Do not install a damper on the intake or exhaust pipe.
- Do not install the vent terminal indoors.
- Use 4" diameter vent pipe from the water heater all the way to the vent terminal.
- Use only UL 1738 listed Category III vent pipe.
- Make sure that the vent pipe is sealed gas tight and is securely connected so that it cannot be easily dislodged.
- Make the vertical section of the vent pipe as short as possible (3 ft. or less is suggested)
- Support the vent pipe at appropriate intervals with hangers. Consult the vent pipe manufacturer's installation instructions for the proper interval.
- Steam or condensed water may drip out of the vent terminal. Dispose of this condensed water according to local codes and in order to prevent injury or property damage.

Protection from condensed water accumulation

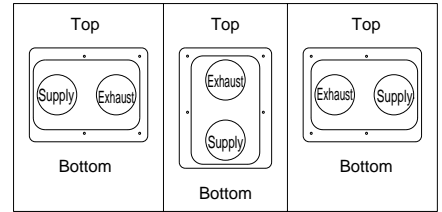
- Slope the intake and exhaust pipes at a 1/50 grade down towards the termination.
- Avoid sags or slack in the vent pipe.
- If the vent terminal will be installed higher than the water heater, make the vertical section directly above the water as short as possible, and slope down to the terminal. Do not have another vertical section after the horizontal section begins.

6. Dimensions

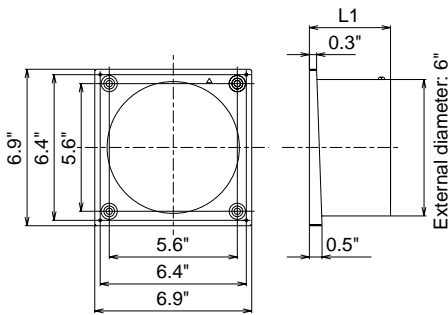
After installation



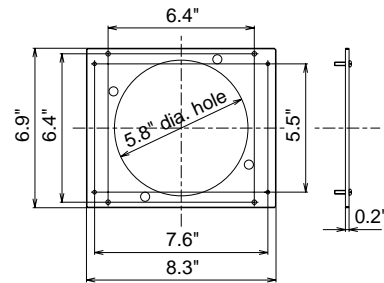
Installation orientation options



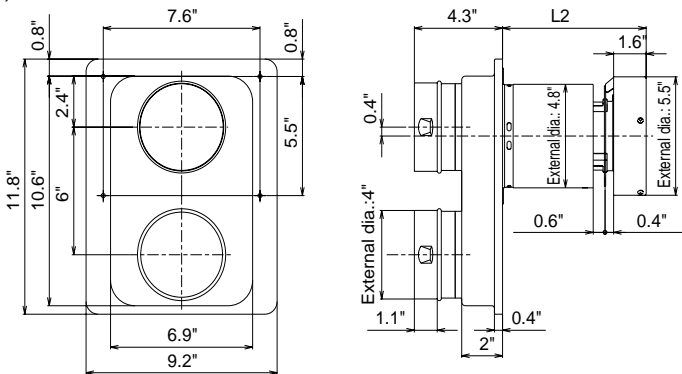
(1) Sleeve



(2) Wall flange



(3) Vent terminal



Dimension Table

(inch)

Model Numbers	wall thickness	L1	L2
VT4-TL-5	3.5 to 5	3.5 to 5	7 to 8.5
VT4-TL-8	5 to 8	5 to 8	8.5 to 12
VT4-TL-14	8 to 15	8 to 15	12 to 18
VT4-TL-27	15 to 27	15 to 27	18 to 30.5

Note: L1 and L2 can be adjusted in increments of 0.4 inch.

Vent Terminal

Model Numbers:
 VT4-TS-5
 VT4-TS-8
 VT4-TS-14
 VT4-TS-27

Icons warning of risk level:

 **WARNING**

Denotes content that may result in personal injury or property damage if ignored.



Prohibited

 **CAUTION**

This symbol warns of hazards which have the immediate potential to result in severe or lethal personal injury or fire.



Be sure to do

Directions for Installers

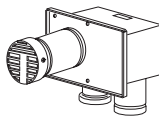
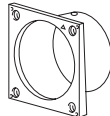
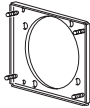


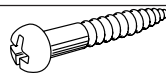

 **WARNING**

- To operate the water heater properly and safely, comply with this installation manual and the installation manuals of any other equipment.
- The vent terminal must be installed in accordance with all local, state and federal codes.

- Installation must conform with local codes, or in the absence of local codes, the National Fuel Gas Code, ANSI Z223.1/NFPA 54.
- Failures and damage caused by erroneous work or work not as instructed in this manual are not covered by the warranty.

1. Included Accessories

The following accessories are included with the unit. Check for any missing items before starting installation. (They are all attached to the product body.)

Part	Shape	Q'ty	Part	Shape	Q'ty
Flue Terminal		1	Sleeve		1
Wall Flange		1	Wing Nut		4
Tapping Screw		4	Rounded Wood Screw		Long: 2 Short: 2
Wall Anchor		4			

2. Before Installation



Compatibility Check

- Make sure that the vent terminal is compatible with the product it will be installed with. If an improper terminal is used, a fire hazard will be created.

Choosing Installation Site

- Maintain the proper clearances to combustibles
The heat and moisture from the water heater may cause corrosion of aluminum materials.
- Install the vent terminal so that it is easily accessible for maintenance from both the indoors and the outdoors.
- Install the vent terminal so that all exhaust is directed to and all intake air is taken from the outdoors.
- Steam or condensed water may drip out of the vent terminal. Dispose of this condensed water according to local codes and in order to prevent injury or property damage.

Check Wall Thickness

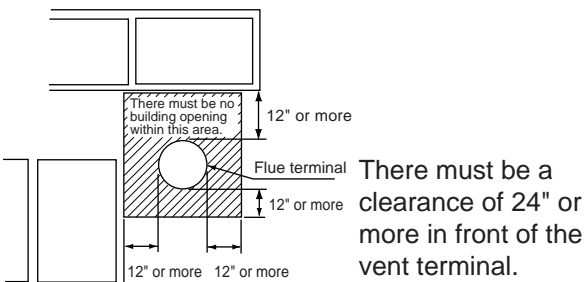
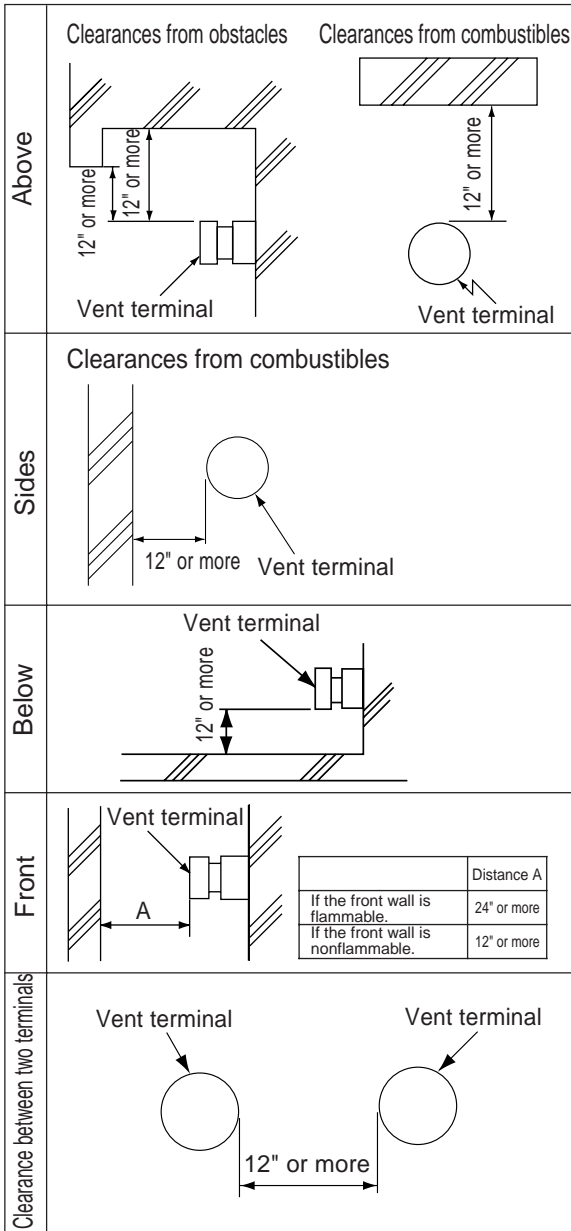
- This vent terminal model has four different sizes. Choose the correct model to fit the thickness of the wall that the terminal will pass through.

Model name	Wall thickness
VT4-TS-5	3.5" to 5"
VT4-TS-8	5" to 8.5"
VT4-TS-14	8.5" to 15"
VT4-TS-27	15" to 27"

3. Installation Requirements



Vent Terminal Clearance Requirements

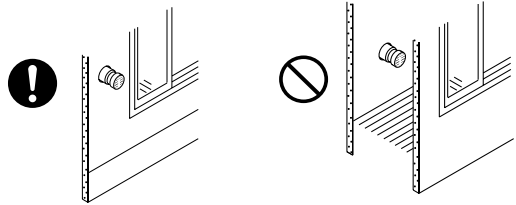


• This restriction will not be applied to an area where an effective shield makes a clearance of 24" or more in front of the exhaust outlet.

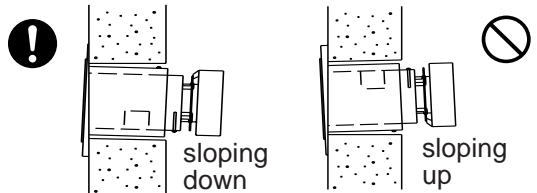
Vent terminal installation precautions

Note the following vent terminal installation requirements.

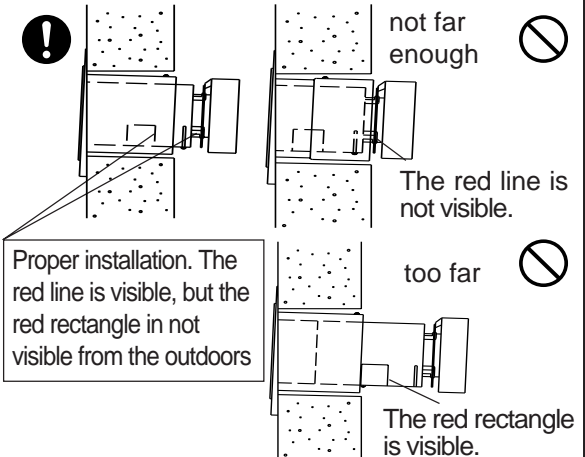
1) Do not install the vent terminal indoors



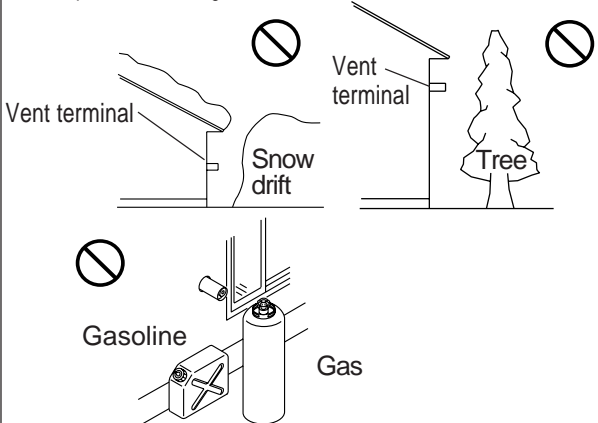
2) Install the vent terminal with a downward slope



3) Install with the proper length protruding through the wall

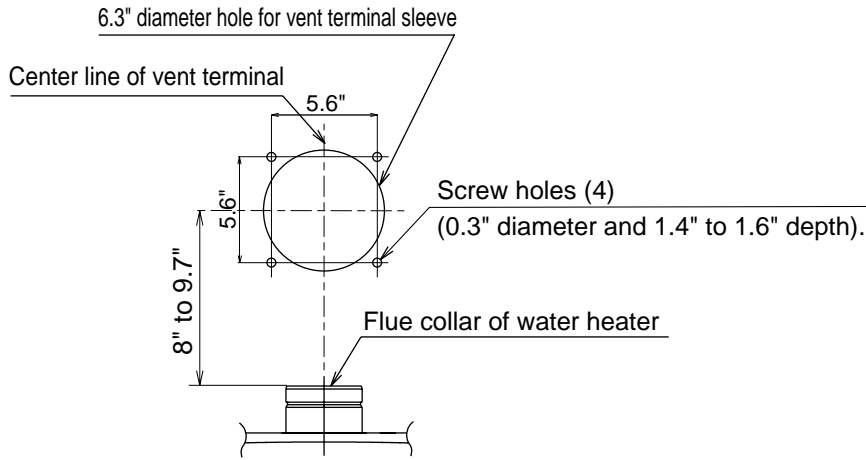


4) Avoid installing the terminal where obstacles will block it

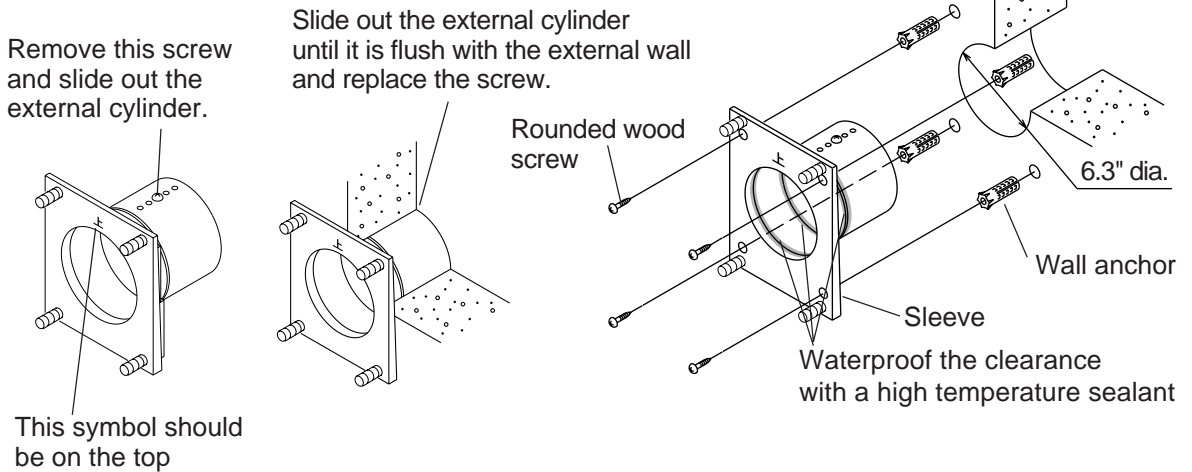


4. Vent Terminal Installation Procedure * When drilling, take care not to damage electric wiring, or gas or water piping in walls.

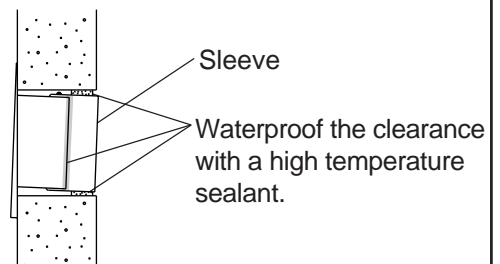
- 1) Determine the vent terminal installation location and make a 6.3" diameter hole in the wall for the sleeve and 0.3" diameter holes for the screws to hold the sleeve.



- 2) Adjust the sleeve length to fit the wall thickness. Install the sleeve with the symbol on the top side.



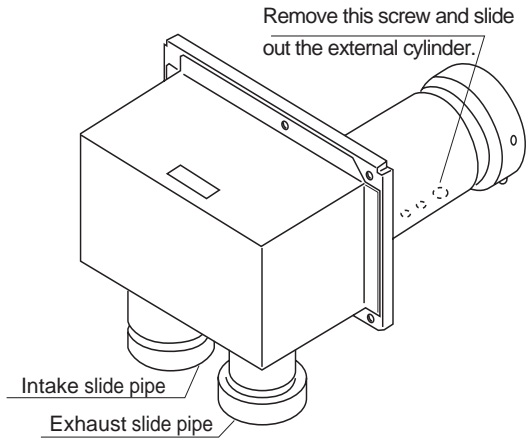
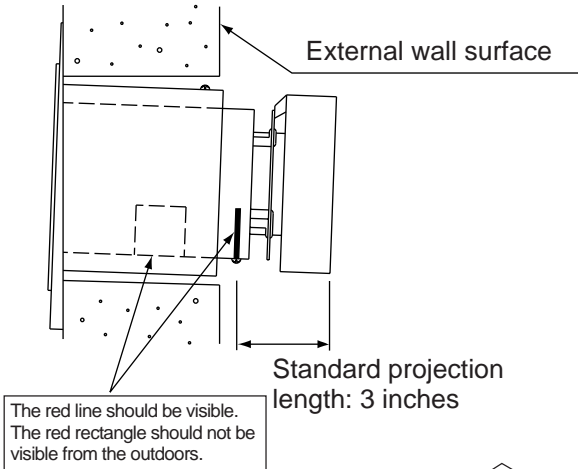
- 3) Waterproof the clearance between the sleeve and wall with a high temperature sealant.



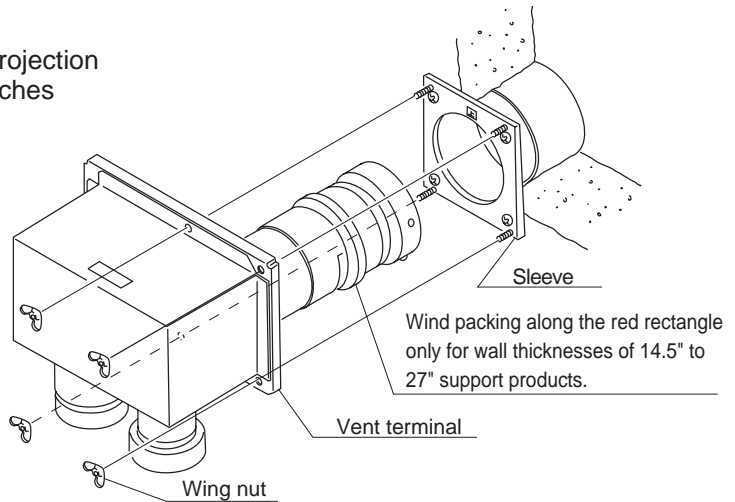
4) Adjusting the vent terminal length

Combustion and operation problems may result if the vent terminal isn't set to the appropriate length.

The length of the vent terminal must be adjusted to fit the wall thickness before the installation is completed.



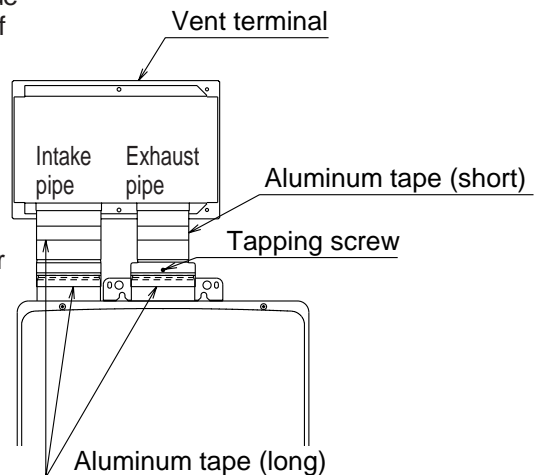
At this point, make sure the supply and exhaust slide pipes have been inserted into vent terminal.



5) Extend the supply and exhaust slide pipes to connect the vent terminal to the water heater.

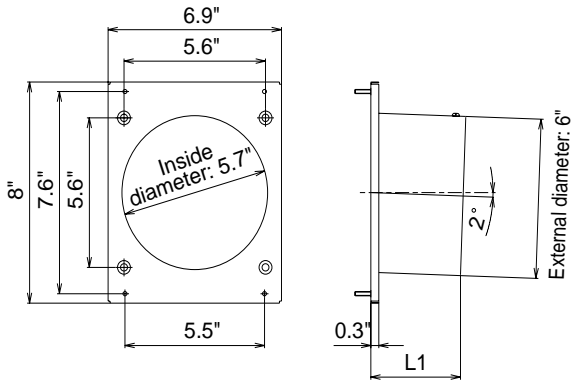
Make sure the connections are secure and take measures to prevent exhaust gas from leaking. Use high temperature sealant if necessary.

- (1) Drill a hole (0.2" dia.) through the water heater exhaust flue collar to meet with the hole in the exhaust slide pipe of the vent terminal
- (2) Seal connections between the water heater and the vent terminal with high temperature sealant to ensure exhaust gas won't leak.
- (3) Screw the exhaust slide pipe of the vent terminal to the flue collar of the water heater using the included tapping screw.
- (4) Cover all of the connections between the water heater and the vent terminal with the included aluminum tape.
- * Note that the aluminum tape by itself is not sufficient to make the connection gas tight and prevent the terminal from becoming disconnected from the water heater.
- (5) After completing the installation, perform a test run of the water heater according to the installation manual.

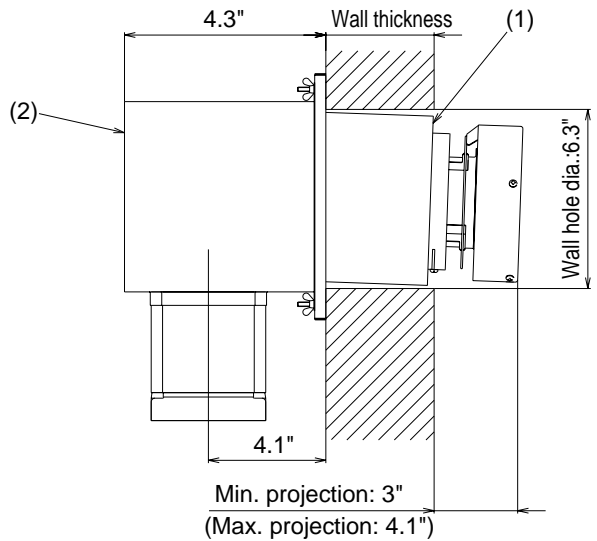


5. Dimensions

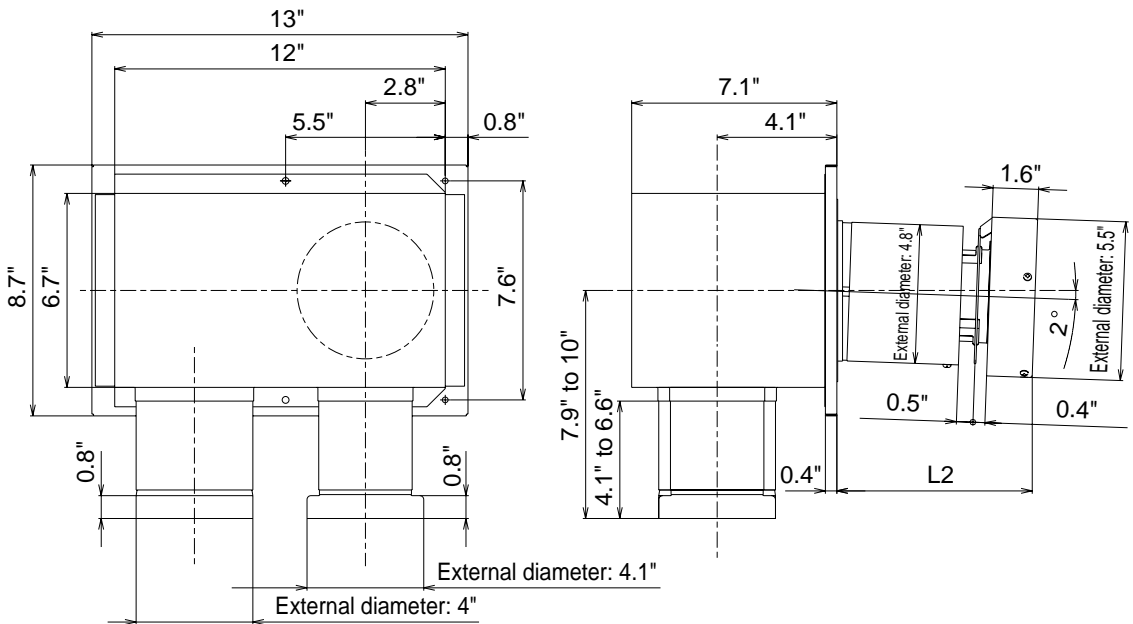
(1) Sleeve



After installation



(2) Vent terminal



Dimension Table

Model Numbers	wall thickness	L 1	L 2
VT4-TS-5	3.5" to 5"	3.5" to 5"	7" to 8.5"
VT4-TS-8	5" to 8"	5" to 8"	8.5" to 12"
VT4-TS-14	8" to 15"	8" to 15"	12" to 18"
VT4-TS-27	15" to 27"	15" to 27"	18" to 30.5"

Note: L1 and L2 can be adjusted in increments of 0.4 inch.

Direct Vent Automatic Instantaneous Water Heater
 NORITZ AMERICA CORPORATION
 25172 Arctic Ocean Dr.Suite 102.Lake Forest CA 92630
 Tel : (949)420-0409
 Model : N-084M-DV-ASME
 Type of Gas : Natural Gas
 BTU Input : Max.236,000~Min.21,000
 Recovery Rate : 234 Gallons/Hour
 Inlet Gas Pressure : Min. 5~Max.10.5inches
 Manifold Gas Pressure : Min.0.94~Max. 2.3inches
 Electrical Rating : AC 120 Volts 60Hz
 Max.Water Pressure : Min. 15psi~Max. 150psi
 ANSI Z21.10.3



FOR YOUR SAFETY

Do not store or use gasoline or other flammable vapors and liquids in the vicinity of this or any other appliances

REQUIRED CLEARANCES TO COMBUSTIBLES

Minimum Clearances from Combustible of Non-combustible Construction






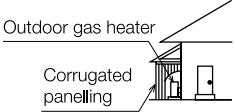


Clearance	Outdoor Install	Indoor Install
Top of heater	—	12 inches
Back of heater	—	0 inch
Front of heater	—	4 inches
Side of heater	—	2 inches

SERIAL NUMBER @@@@. @@ — @@@@@@



Made in JAPAN

NR99 +++++

 WARNING	
 HIGH TEMP WARNING	When using hot water or bathing, check the temperature first with your hand. Otherwise, you may get scalded.
 FIRE WARNING	Do not leave easily flammable items near the heater or the air intake or exhaust. Otherwise a fire could occur.
 PROHIBITED	VENTILATION WARNING (INDOOR ONLY) Take care to provide adequate ventilation during heater use. However, do not use a range hood ventilation fan. Otherwise, carbon monoxide poisoning could occur.
 PROHIBITED	Corrugated panelling PROHIBITED (Outdoor heater only) Do not use corrugated panelling around the outdoor heater. It may cause carbon monoxide poisoning or a fire. 
 CAUTION	
 CONTACT PROHIBITED	BURN CAUTION During heater use or soon after, do not touch high temperature parts such as the heater body, exhaust flue or exhaust outlet.

Please read Owner's Manual thoroughly to ensure proper use of the water heater. Incorrect operation can result in scalding and fire.

- Use only the gas type specified on the heater.
- For remote operation, use the remote control described in the Owner's Manual.
- When the remote control is connected, operate the remote control in accordance with the instructions displayed on it, and confirm ignition and extinguishment on the remote control display.
- Do not use water that has been stored inside the heater for a long period as drinking water or cooking water.
- Perform inspection and maintenance periodically in accordance with the Owner's Manual.
- If the temperature drops severely in winter and there is the possibility of the heater freezing, prevent freezing using the method described in the Owner's Manual. If this is not done, the heater may freeze and become damaged.
- If you are moving the water heater, contact the manufacturer.
- If a malfunction occurs (smoke from the exhaust port, burning smell, etc.) or an emergency occurs (earthquake, fire, etc.), stop using the water heater and contact your nearest service center to arrange for an inspection.
- Do not tamper with or modify the vent damper.
- Use only category III venting material.
- Wiring diagram behind the front cover.

FOR YOUR SAFETY READ BEFORE OPERATING

WARNING: If you do not follow these instructions exactly, a fire or explosion may result causing property damage, personal injury or loss of life.

- A. This water heater does not have a pilot. It is equipped with an ignition device that automatically lights the burner. Do not try to light the burner by hand.
- B. **BEFORE OPERATING** smell all around the water heater area for evidence of leaking gas. Be sure to smell next to the floor because some gas is heavier than air and will settle on the floor.
WHAT TO DO IF YOU SMELL GAS.
 - Do not try to light any appliance.
 - Do not touch any electric switch, do not use any phone in your building.
 - Immediately call your gas supplier from a neighbor's phone. Follow the gas supplier's instructions.
 - If you cannot reach your gas supplier, call the fire department.
- C. Use only your hand to turn the gas valve knob. Never use tools. If the knob will not turn by hand, don't try to repair it. Call a qualified service technician. Force or attempted repair may result in a fire or explosion.
- D. Do not use this water heater if any part has been under water. Immediately call a qualified service technician to inspect the water heater and to replace any damaged parts.

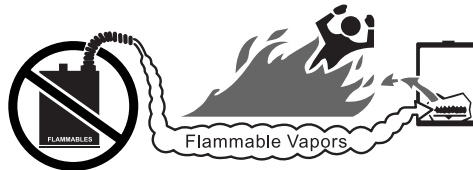
OPERATING INSTRUCTIONS

1. STOP! Read the safety information above.
2. Turn off all electric power to the appliance.
3. Do not attempt to light the burner by hand.
4. Turn the gas control manual valve (installed on the gas supply line external to the unit) clockwise ↻ to the OFF position.
5. Wait five (5) minutes to clear out any gas. If you then smell gas, STOP! Follow "B" in the safety information above on this label. If you don't smell gas, go to the next step.
6. Turn the gas control manual valve (installed on the gas supply line external to the unit) counterclockwise ↺ to the full ON position.
7. Turn on all the electric power to the appliance.
8. If the appliance will not operate, follow the instructions " To Turn Off Gas To Appliance" and call your service technician or gas supplier.

TO TURN OFF GAS TO APPLIANCE

1. Turn off all electric power to the appliance if service is to be performed.
2. Turn the gas control manual valve (installed on the gas supply line external to the unit) clockwise ↻ to the full OFF position.

DANGER



Vapors from flammable liquids will explode and catch fire causing death or severe burns.

Do not use or store flammable products such as gasoline, solvents or adhesives in the same room or area near the water heater.

Keep flammable products:

1. Far away from heater.
2. In approved containers.
3. Tightly closed
4. Out of children's reach

Vapors:

1. Cannot be seen
2. Vapors are heavier than air
3. Go a long way on the floor
4. Can be carried from other rooms to the main burner by air currents.

DANGER



Hot Water Heater temperature over 125 °F can cause severe burns instantly or death from scalding.

Children, disabled and elderly are at the highest risk of being scalded.

Feel water temperature before bathing or showering.

Temperature limiting valves are available, ask professional person.

WARNING: California Proposition 65 lists chemical substances known to the state to cause cancer, birth defects, death, serious illness or other reproductive harm. This product may contain such substances, be their origin from fuel combustion (gas, oil) or components of the product itself.

A temperature and pressure relief valve listed as complying with the standard for Relief Valve and Automatic Gas Shutoff Devices for Hot Water Supply System, ANSIZ21. 22. shall be installed at the time of installation of the heater in the location specified by the manufacturer. Local codes shall govern the installation of relief devices for safety operation of the water heater. The relief valve must not be removed or plugged.