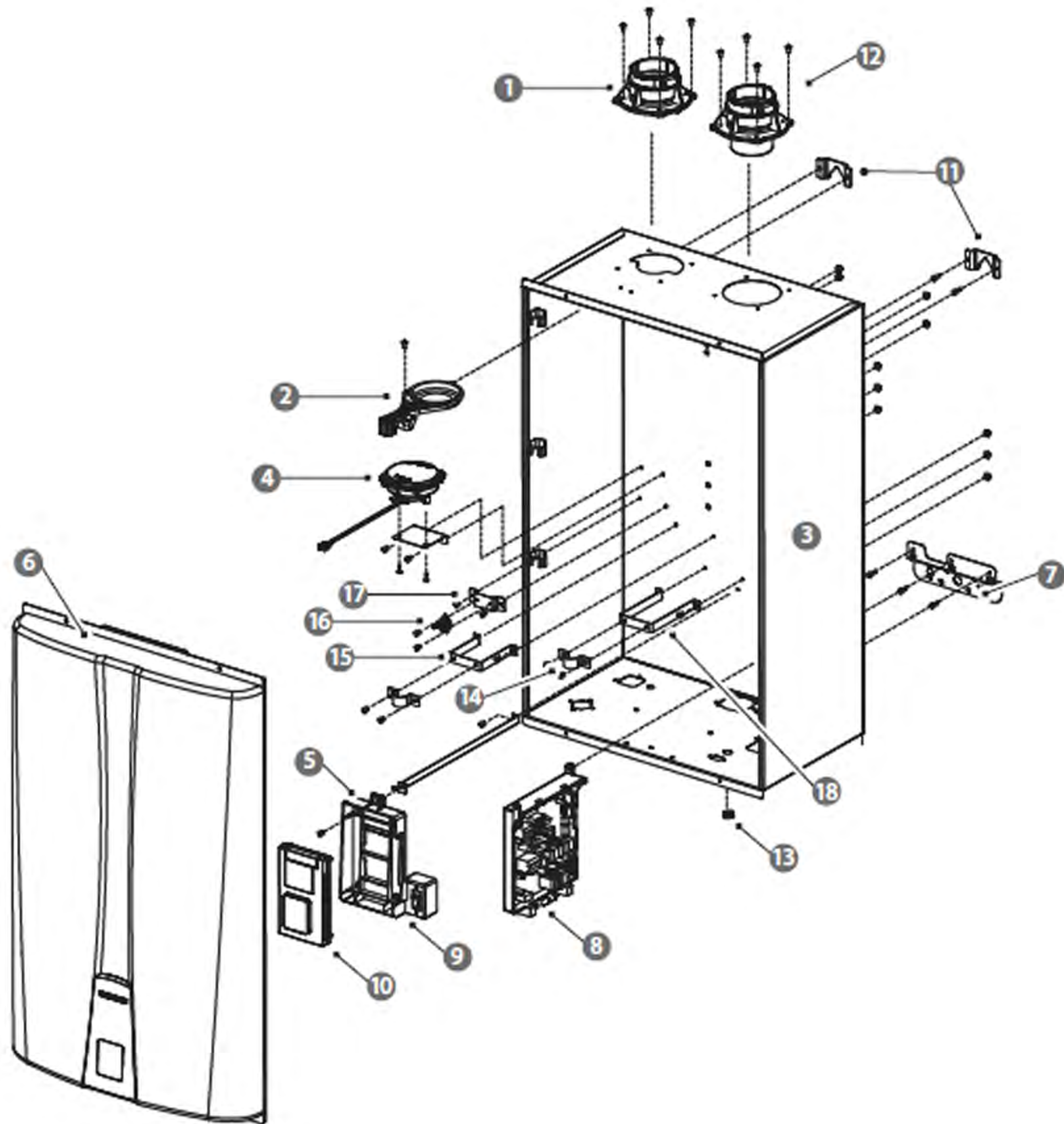


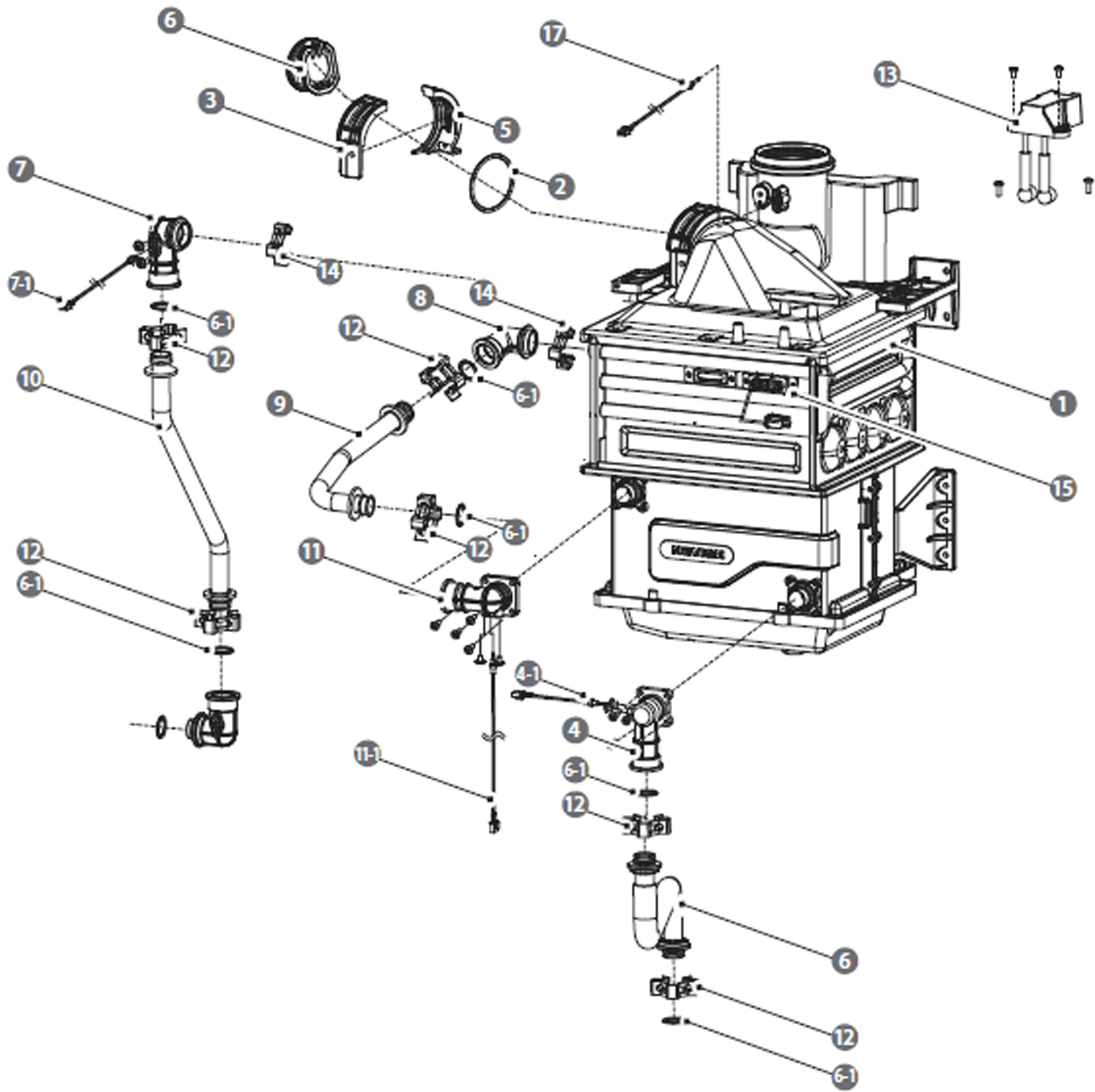
7.5 Component Assembly Diagrams and Parts Lists

7.5.1 Case Assembly



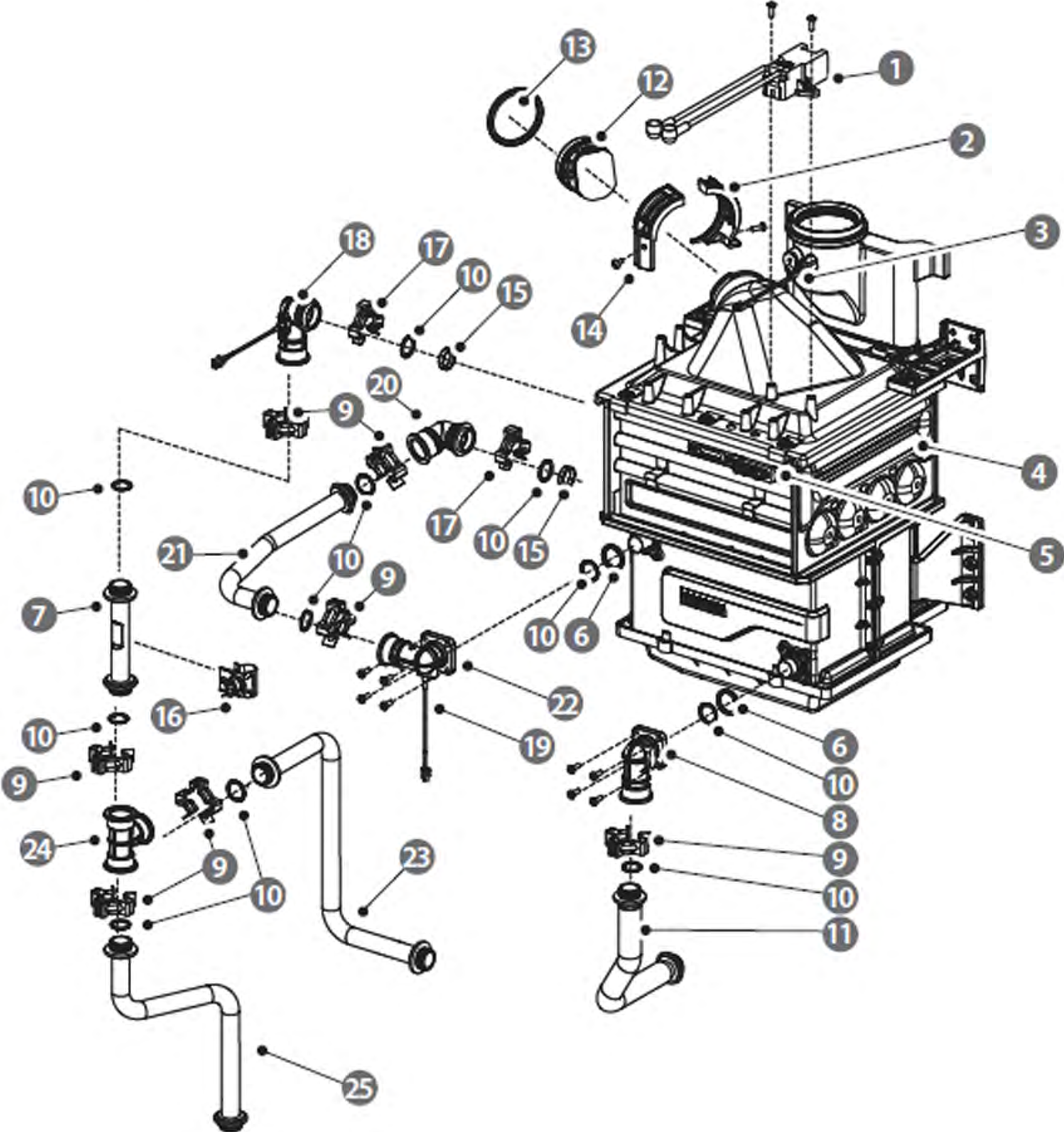
#	Description	Part #	Remark
1	Intake Air Duct Assembly	30008662B	
2	Intake Air Filter	30016248B	
3	Case	20019078D	NPE-180A/210A/240A
		20026559C	NPE-150S/180S/210S/240S
4	Air Pressure Sensor	30015811A	
5	Panel Bracket	20018388A	
6	Cover	30011282A	NPE-180A/210A/240A
		30015929A	NPE-150S/180S/210S/240S
7	Case Lower Bracket	20007643B	
8	PCB	30008300C	NPE-180A/210A/240A
		30011690D	NPE-150S/180S/210S/240S
9	Power Switch	30009482A	
10	Front Panel	30008333D	
11	Case Bracket	20007609A	
12	Exhaust Pipe Assembly	30008673A	
13	Rubber Ring	20025127A	
14	Saddle	20013508A	NPE-150S/180S/210S/240S
15	Saddle Bracket 1	20026170A	NPE-150S/180S/210S/240S
16	Freeze Protector Sensor	30002587A	NPE-150S/180S/210S/240S
17	Freeze Protector Sensor Bracket	20007671A	NPE-150S/180S/210S/240S
18	Saddle Bracket 2	20026172A	NPE-150S/180S/210S/240S

7.5.2 Burner Assembly (NPE-180A/ 210A/ 240A)



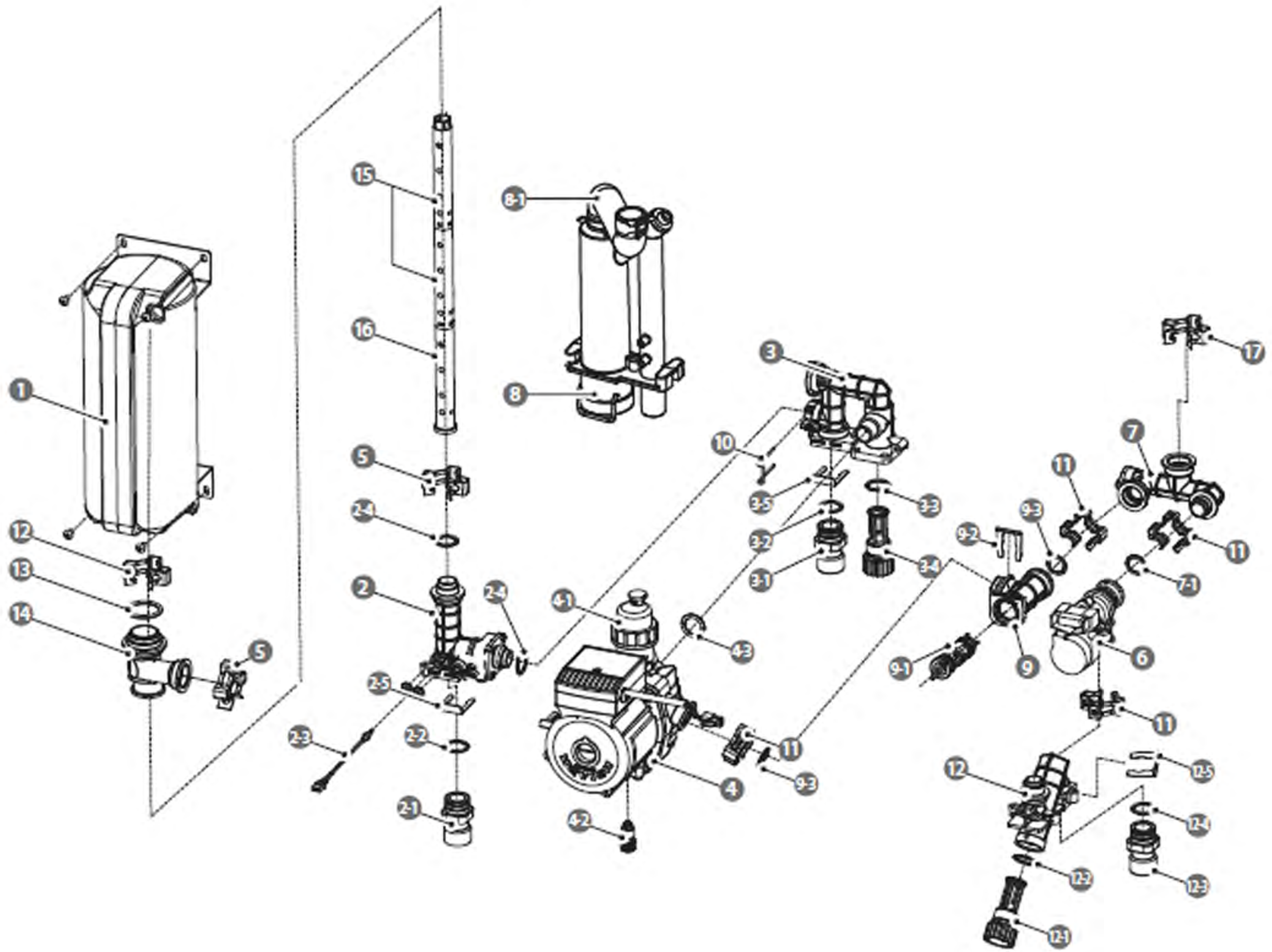
#	Description	Part #	Remark
1	Heat Exchanger Assembly	30009189A	NPE-180A
		30010812A	NPE-210A/240A
2	Fan Packing	20022744A	
3	Fan Bracket (F)	20022095A	
4	Flow Sensor Assembly	30008571A	
4-1	Thermistor	30008366A	
5	Fan Bracket (R)	20022096A	
6	Cold Inlet Pipe	30009166D	NPE-180A
		30010805D	NPE-210A/240A
6-1	O-Ring (Φ 17.5x2.7t)	20006947A	
7	WPA-A (Clip)	20018344B	
7-1	Thermistor	30008366A	
8	WPA-B	20018343A	
9	H-Ex Middle Pipe	30009126C	NPE-180A
		30010803C	NPE-210A/240A
10	Hot Water Outlet Pipe	30009145A	NPE-180A
		30008442A	NPE-210A/240A
11	WPA-A (Screw)	30008569A	
11-1	Thermistor	30008366A	
12	Fastener	20017726A	
13	Ignition Transformer	30010455A	
14	Fastener	20007853A	
15	Ignitor	30012226A	
16	Damper	30008825A	
17	Thermistor	30009478A	

7.5.3 Burner Assembly (NPE-150S/180S/ 210S/ 240S)



#	Description	Part #	Remark
1	Ignition Transformer	30010455A	
2	Fan Bracket (R)	20022096A	
3	Thermistor	30009478A	Exhaust
4	Heat Exchanger Assembly	30014357A	NPE-150S
		30011706A	NPE-180S
		30011705A	NPE-210S/240S
5	Ignitor	30014183A	NPE-150S
		30012226A	NPE-180S/210S/240S
6	Packing (Φ26.5x2.4t)	20006868A	
7	Heat Exchanger Outlet Pipe	30014326A	NPE-150S
		30011519B	NPE-180S
		30011515B	NPE-210S/240S
8	WPA-C (Screw)	20026780A	
9	Fastener	20017726A	
10	O-Ring (Φ17.5x2.7t)	20006949A	
11	Cold Inlet Pipe	30014751A	NPE-150S
		30011521B	NPE-180S
		30011665B	NPE-210S/240S
12	Fan Damper	30008825A	
13	Fan Packing	20022744A	
14	Fan Bracket (F)	20022095A	
15	Backup Ring	20018744B	
16	High Limit Switch	30002577A	
17	Fastener	20007853A	
18	WPA-A (Clip)	20018344B	
19	Thermistor	30008366A	Water
20	WPA-B	20033191A	NPE-150S
		20018343A	NPE-180S/210S/240S
21	H-Ex Middle Pipe	30014330A	NPE-150S
		30009126C	NPE-180S
		30010803C	NPE-210S/240S
22	WPA-A (Screw)	30008569A	
23	Mixing Pipe	30014327A	NPE-150S
		30011518B	NPE-180S
		30011514B	NPE-210S/240S
24	WPA-T	20025960A	
25	Hot Water Outlet Pipe	30014328A	NPE-150S
		30011520B	NPE-180S
		30011516B	NPE-210S/240S

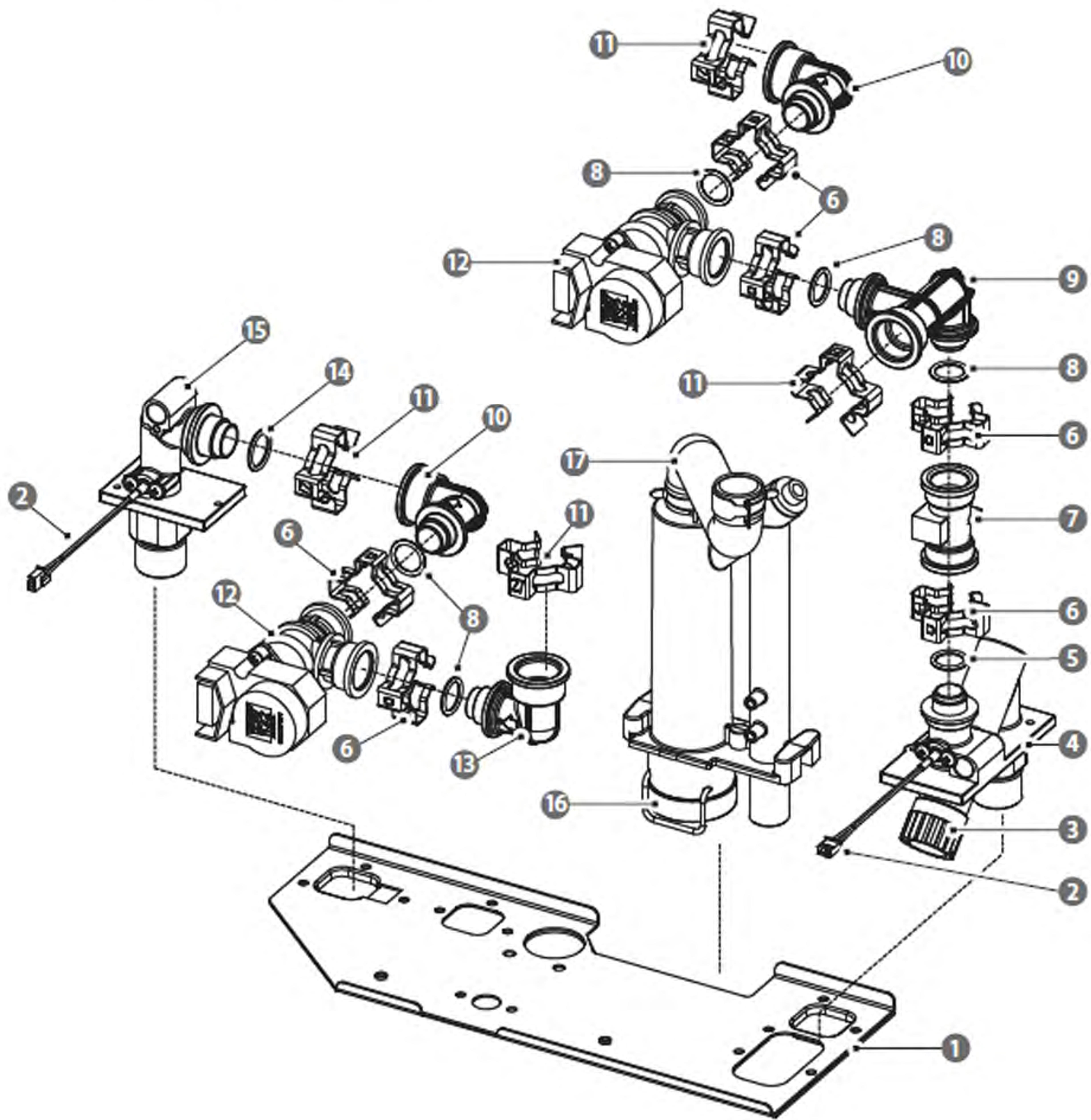
7.5.4 Waterway Assembly (NPE-180A/210A/240A)



#	Description	Part #	Remark
1	Buffer Tank	30010953A	
2	Hot Water Outlet Pipe Assembly	30008338A	
2-1	Pipe Adapter	20024496A	
2-2	O-RING (P20)	20017212A	
2-3	Thermistor	30008366A	
2-4	O-RING (P18)	20006947A	
2-5	Pipe Clip	20007733B	
3	Return Pipe Assembly	30008350A	
3-1	Pipe Adapter	30008349A	

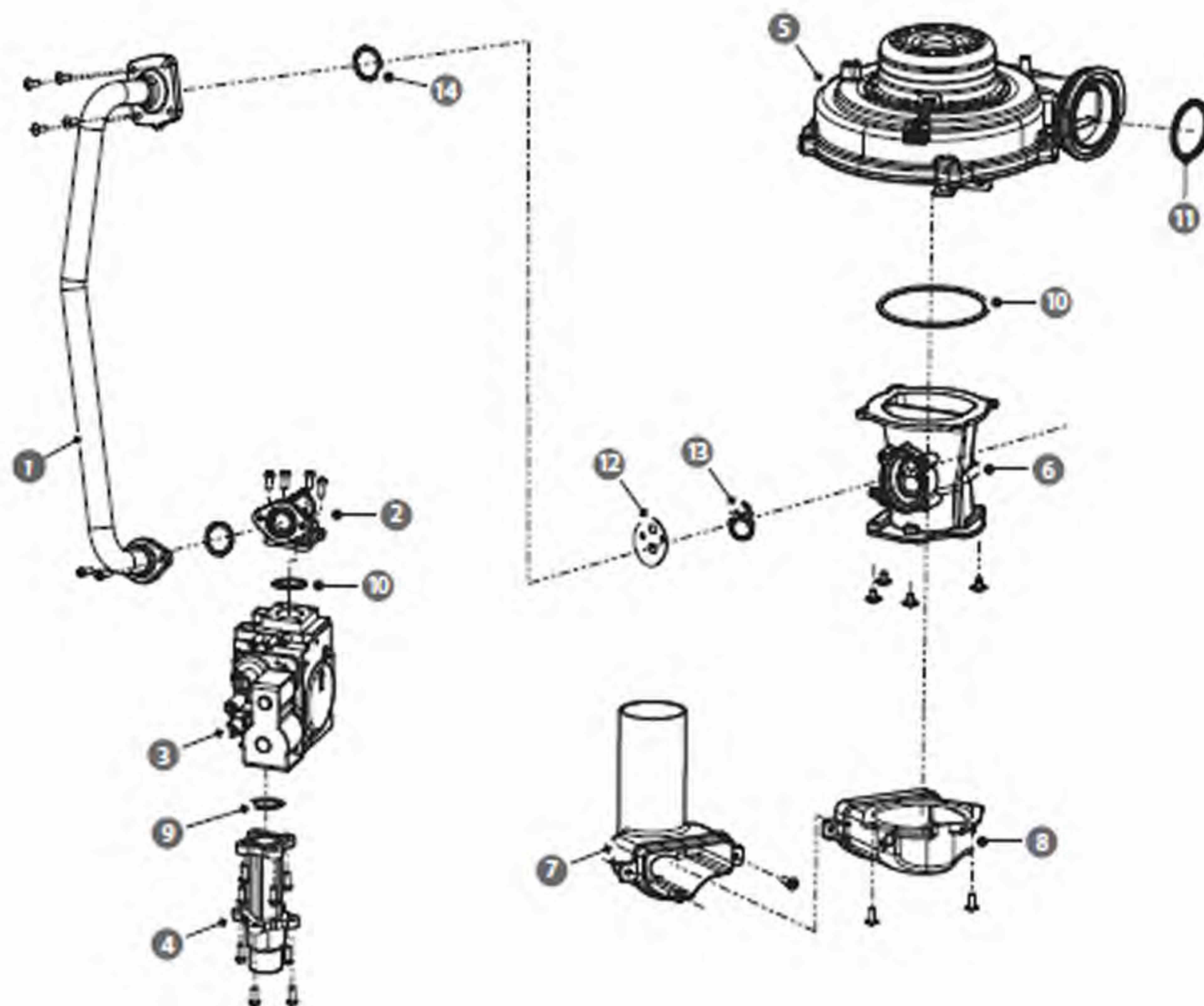
#	Description	Part #	Remark
3-2	O-RING (P20)	20017212A	
3-3	O-RING (P19)	20017211A	
3-4	Water Filter	30008351A	
3-5	Pipe Clip	20007733B	
4	Circulation Pump	30010780B	
4-1	Pump Air Separator	30006831B	
4-2	Drain Plug	30008630C	
4-3	O-RING (P18)	20006947A	
5	Fastener	20017726A	
6	Water Adjustment Valve (WAV)	30008245A	
7	WAV Outlet Pipe Assembly	30008624B	
7-1	O-Ring (P16)	20011439A	
8	Syphon	30009756B	
8-1	Syphon Hose	20018429A	
9	Pump Outlet Pipe Assembly	30008361A	
9-1	Check Valve	30008359B	
9-2	Pipe Clip	20017722A	
9-3	O-Ring (P16)	20017210A	
10	Return Pipe Clip	20017767A	
11	Fastener	20007859A	
12	Cold Water Inlet Pipe Assembly	30009437A	
12-1	Water Filter	30008351A	
12-2	O-RING (P19)	20017211A	
12-3	Pipe Adapter	20024496A	
12-4	O-RING (P20)	20017212A	
12-5	Pipe Clip	20007733B	
13	O-RING (P29)	20017923A	
14	Buffer Tank Adapter	20035697A	
15	Buffer Tank Pipe A	20017759A	
16	Buffer Tank Pipe B	20017760A	
17	Fastener	20017724A	

7.5.5 Waterway Assembly (NPE-180S/ 210S/ 240S)

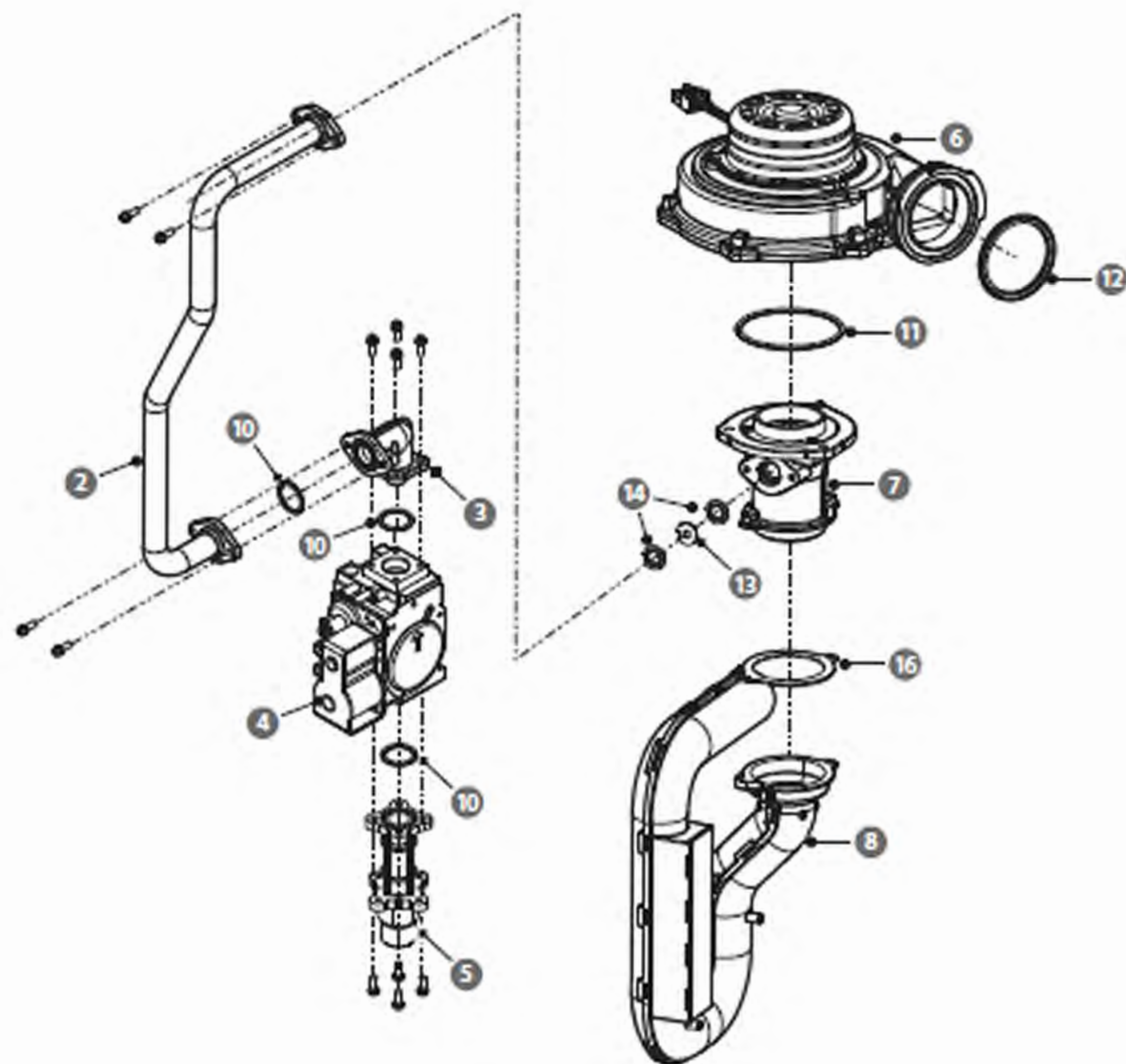


#	Description	Part #	Remark
1	Bracket	20026489A	
2	Thermistor	30008366A	
3	Water Filter	30008171A	
4	Cold Water Inlet Adapter	30011597A	
5	O-Ring (P15)	20017217A	
6	Fastener	20007859A	
7	Flow Sensor	30011534A	
8	O-Ring (P16)	20017210A	
9	Flow Sensor Outlet Adapter	20025959A	
10	Outlet Adapter	20025961A	
11	Fastener	20017726A	
12	Water Adjustment Valve (WAV)	30011532A	
13	Inlet Adapter	20025962B	
14	O-Ring (P18)	20006947A	
15	Hot Water Outlet Adapter	30011601A	
16	Siphon	30009756B	
17	Siphon Hose	20018429A	

7.5.6 Fan (Gas) Assembly



[NPE-180S/180A/210S/210A/240S/240A]



[NPE-150S]

#	Description	Part #	Remark
1	Gas Pipe	30014329A	NPE-150S
		30013323B	NPE180S/180A
		30008431B	NPE-210S/210A/240S/240A
2	Gas Connector	20018430A	
3	Gas Valve	30011586A	
4	Gas Inlet Adapter	20023809A	
5	Fan Assembly	30015421A	NPE-150S
		30008834A	NPE-180S/180A/210S/210A/240S/240A
6	Single Venturi	30014688A	NPE-150S
	Dual Venturi	30017402A	NPE-180S/180A/210S/210A/240S/240A
7	Silence	30015322A	NPE-150S
		20032568A	NPE-180S/180A
		20032570A	NPE-210S/210A/240S/240A
8	Silence Adapter	20032567A	NPE-180S/180A
		20032569A	NPE-210S/210A/240S/240A
9	O-Ring (P20)	20006934A	
10	O-Ring (G70)	20007001A	NPE-150S
	O-Ring (G75)	20018079A	NPE-180S/180A/210S/210A/240S/240A
11	Fan Packing	20022744A	
12	Gas Orifice	20029420B	NPE-150S (NG)
		20034178A	NPE-150S (LP)
		20024159A	NPE-180S/180A (NG)
		20024190A	NPE-180S/180A (LP)
		20019144B	NPE-210S/210A/240S/240A (NG)
		20024189B	NPE-210S/210A/240S/240A (LP)
13	Venturi Packing	20030893A	NPE-150S
		20022660A	NPE-180S/180A/210S/210A/240S/240A
14	O-Ring (P34)	20019090A	NPE-180S/180A/210S/210A/240S/240A
15	Silence Packing	20032129A	NPE-150S