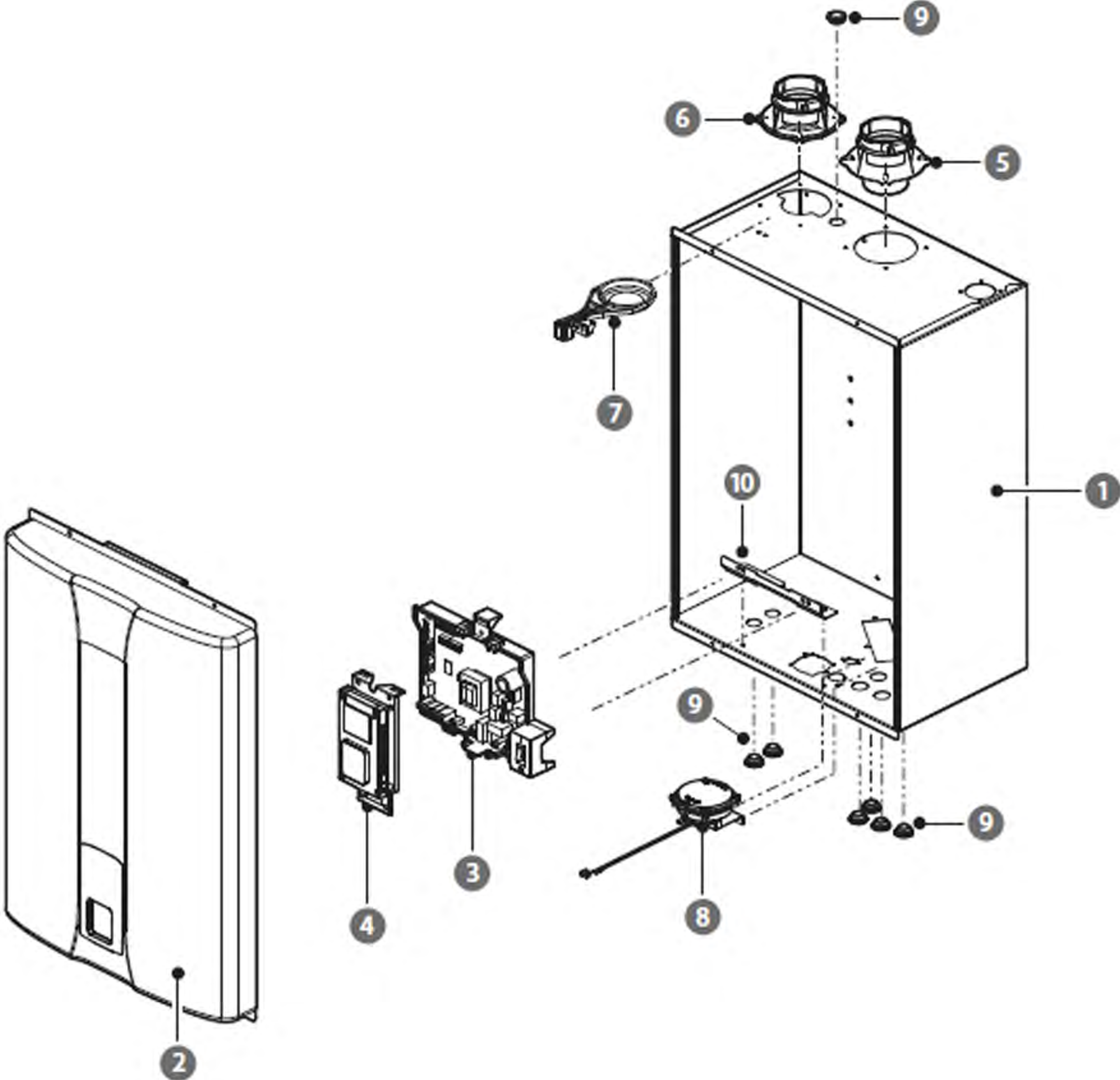


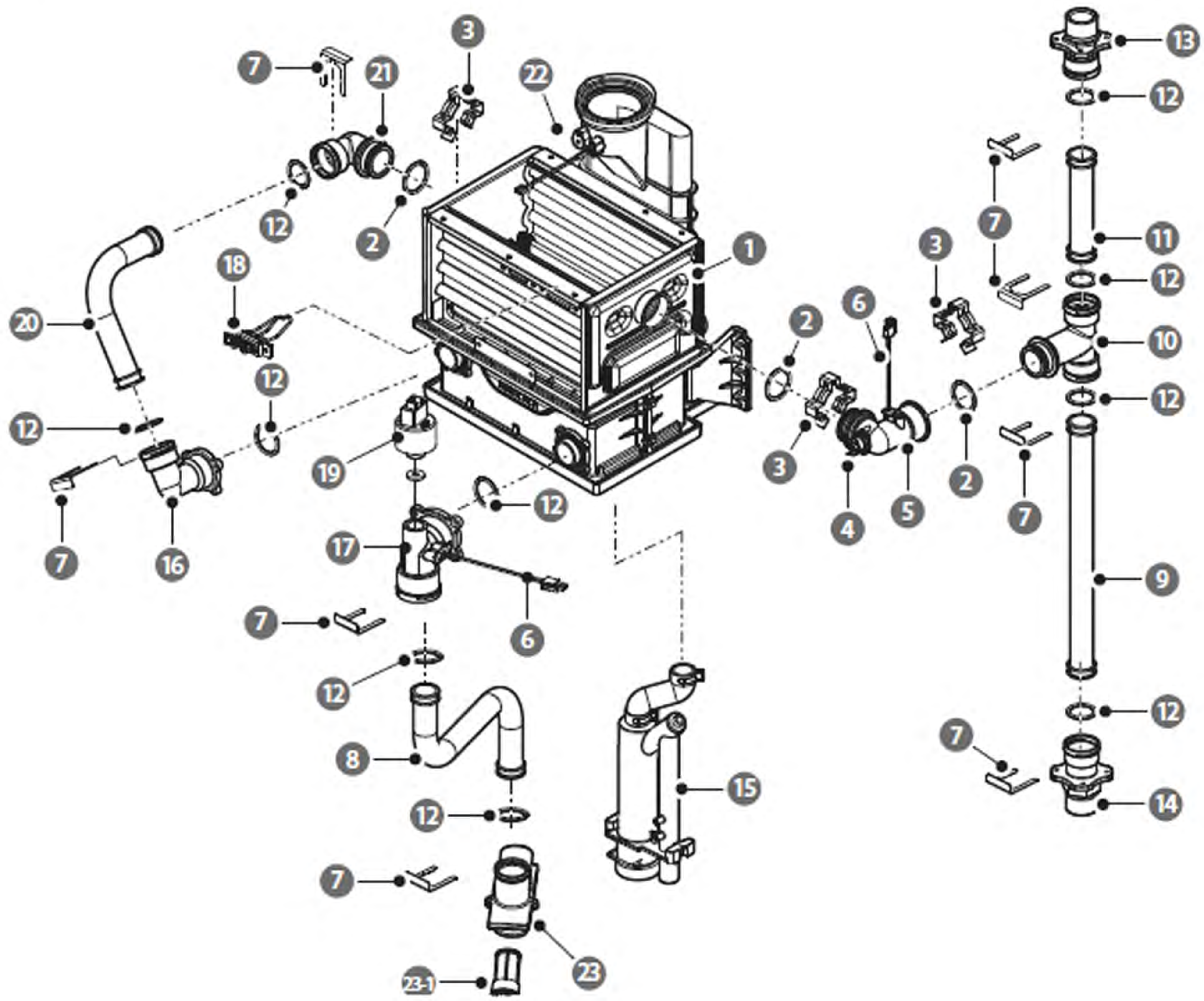
12.4 Component Assembly Diagrams and Parts Lists

12.4.1 Case Assembly



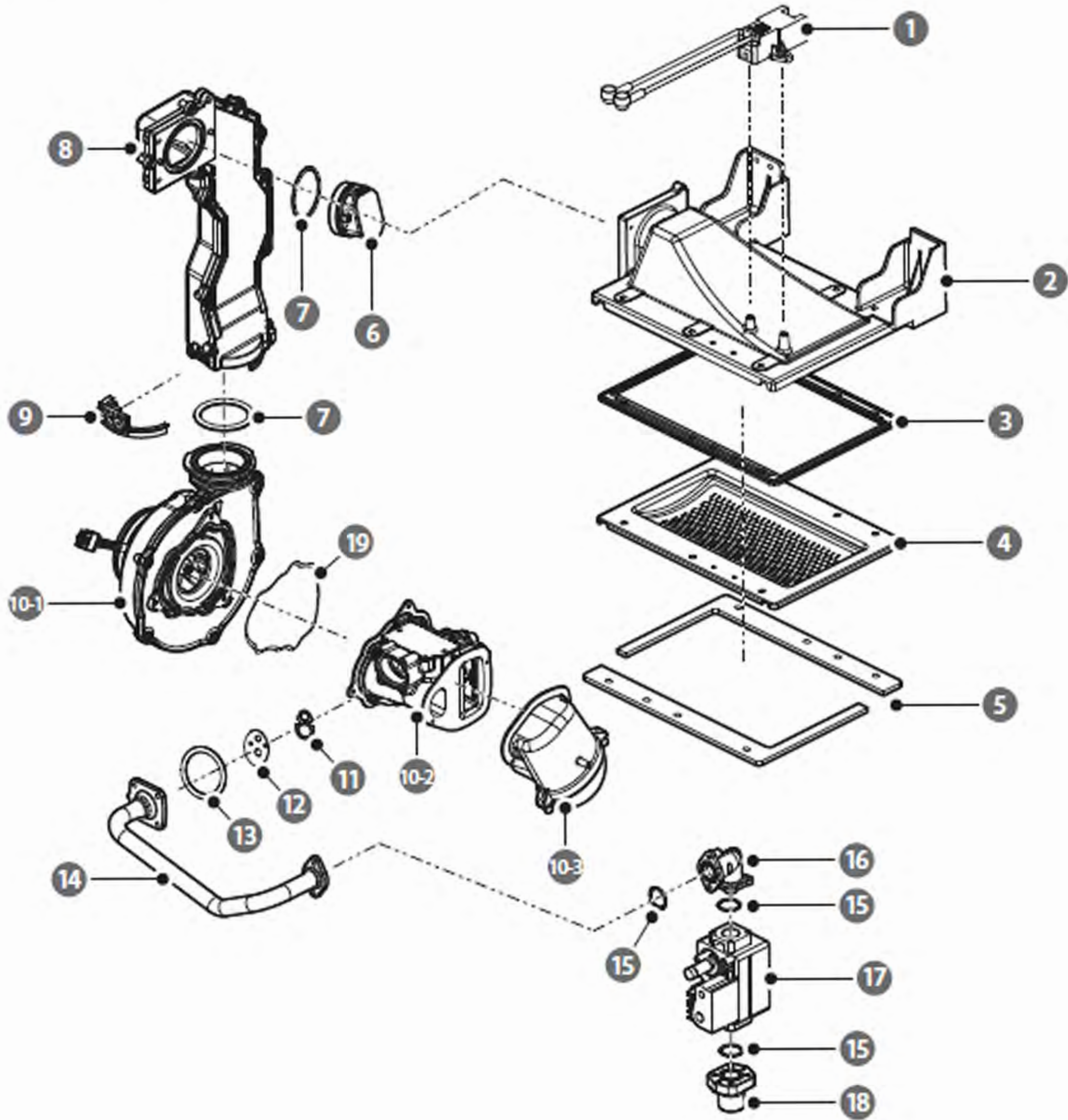
#	Description	Part #	Remark
1	Case	20030085B	NHB-110/150
		20030088B	NHB-055/080
2	Cover	30013463A	
3	PCB	30013044A	
4	Front Panel	30015105A	
5	Exhaust Pipe Assembly	30008673A	
6	Intake Air Duct Assembly	30008662B	
7	Intake Air Filter	30016248B	
8	Air Pressure Sensor	30015811A	
9	Rubber Ring	20029318A	
10	PCB Lower Bracket	20030117A	

12.4.2 Heat Exchanger and Waterway Assembly



#	Description	Part #	Remark
1	Heat Exchanger Assembly	30014219A	NHB-150
		30013575A	NHB-110
		30014060A	NHB-080
		30014218A	NHB-055
2	O-Ring (P29)	20032163A	NHB-110/150
	O-Ring (Φ17.5x2.7t)	20003022A	NHB-055/080
3	Fastener	20017724A	NHB-110/150
		20007853A	NHB-055/080
4	High Limit Switch	30002558A	
5	SC Outlet Adapter	30014032A	NHB-110/150
		30014067A	NHB-055/080
6	Thermistor	30012907A	
7	Fastener	20030608A	NHB-110/150
		20033662A	NHB-055/080
8	Return Pipe	30013501A	NHB-110/150
		30013502A	NHB-055/080
9	Supply Pipe (Lower)	30013505A	NHB-110/150
		30013506A	NHB-055/080
10	Tee Adapter	30014258A	NHB-110/150
		30014259A	NHB-055/080
11	Supply Pipe (Upper)	30013507A	NHB-110/150
		30013508A	NHB-055/080
12	O-Ring (Φ 24.8 x 3.85t)	20032528A	NHB-110/150
	O-Ring (Φ 18.8 x 2.6t)	20033699A	NHB-055/080
13	Air Vent Adapter	20030133A	NHB-110/150
		20033694A	NHB-055/080
14	Heating Supply Adapter	20030136A	NHB-110/150
		20033713A	NHB-055/080
15	Syphon	30015964A	NHB-110/150, withou hose
		30014024A	NHB-055/080
15-1	Syphon hose	30015965A	NHB-110/150
16	H-Ex Connection Adapter 1	20033545A	NHB-110/150
		20033548A	NHB-055/080
17	Return Adapter	30014055A	NHB-110/150
		30014065A	NHB-055/080
18	Igniter	30017285A	Service kit
19	LWCO (Pressure Sensor)	30014699A	
20	H-Ex Connection Pipe	30013503A	NHB-110/150
		30013504A	NHB-055/080
21	H-Ex Connection Adapter 2	20030138A	NHB-110/150
		20026920A	NHB-055/080
22	Thermistor (Exhaust)	30009478A	
23	Heating Return Adapter	30015077A	NHB-110/150
		30015002A	NHB-055/080
23-1	Return Filter	30015339A	

12.4.3 Combustion Parts Assembly



#	Description	Part #	Remark
1	Ignition Transformer	30010455A	
2	Mixed Chamber	20030041A	NHB-110/150
		20030049A	NHB-055/080
3	Chamber Packing	20022743A	NHB-110/150
		20027108A	NHB-055/080
4	Burner	30010246B	NHB-110/150
		30011854B	NHB-055/080
5	Burner Packing	20032460A	NHB-110/150
		20032462A	NHB-055/080
6	Fan Damper	30008825A	
7	Fan Packing	20022744A	
8	Mixed Guide Pipe	30015213A	NHB-110/150
		30013458A	NHB-055/080
9	Fan Bracket	20030471A	
10-1	Fan Assembly	30013985A	NHB-150
		30013984A	NHB-055/080/110
10-2	Dual Venturi	30013983A	NHB-150
		30013982A	NHB-110
		30013981A	NHB-055/080
10-3	Intake Pipe	20031242A	NHB-150
		20030064A	NHB-110
		20031243A	NHB-055/080
11	Orifice Packing	20022660A	
12	Gas Orifice	20032404A	NHB-150 (NG)
		20032403A	NHB-110 (NG)
		20032402A	NHB-055/080 (NG)
		20032407A	NHB-150 (LP)
		20032406A	NHB-110 (LP)
		20032405A	NHB-055/080 (LP)
13	O-Ring (P34)	20019090A	
14	Gas Pipe	30013955A	NHB-150
		30013509A	NHB-110
		30013510A	NHB-055/080
15	O-Ring (P20)	20006934A	
16	Gas Connector	20027149A	
17	Gas Valve	30011586A	
18	Gas Inlet Adapter	20027748A	
19	Venturi Packing	20030060A	