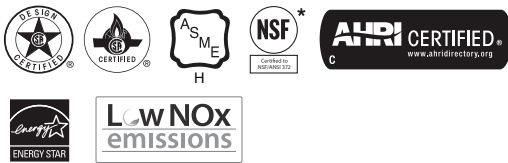


Installation Manual

NFC-H Condensing Combi-Boilers

Model | NFC-250/175H
NFC-250/200H



Keep this manual near this boiler for future reference whenever maintenance or service is required.

* The wetted surface of this product contacted by consumable water contains less than one quarter of one percent (0.25%) of lead by weight.



WARNING

If the information in these instructions is not followed exactly, a fire or explosion may result, causing property damage, personal injury, or death.

Do not store or use gasoline or other flammable vapors and liquids in the vicinity of this or any other appliance.

WHAT TO DO IF YOU SMELL GAS

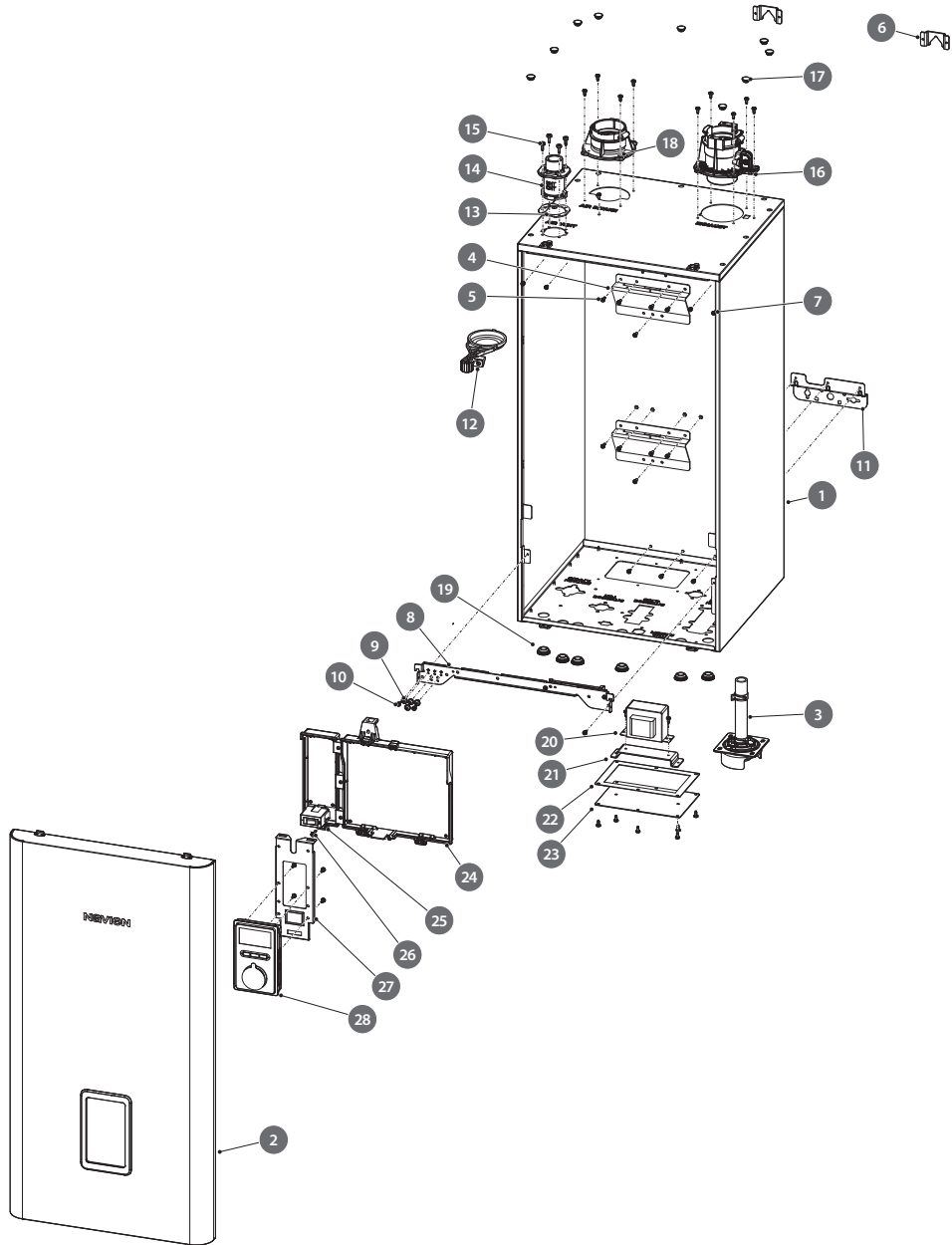
- Do not try to light any appliance.
- Do not touch any electrical switch; do not use any phone in your building.
- Immediately call your gas supplier from a neighbor's phone. Follow the gas supplier's instructions.
- If you cannot reach your gas supplier, call the fire department.

Installation and service must be performed by a qualified installer, service agency or the gas supplier.

The installation must conform with local codes or, in the absence of local codes, the National Fuel Gas Code, ANSI Z223.1/NFPA 54 and/or CSA B149.1, Natural Gas and Propane Installation Code.

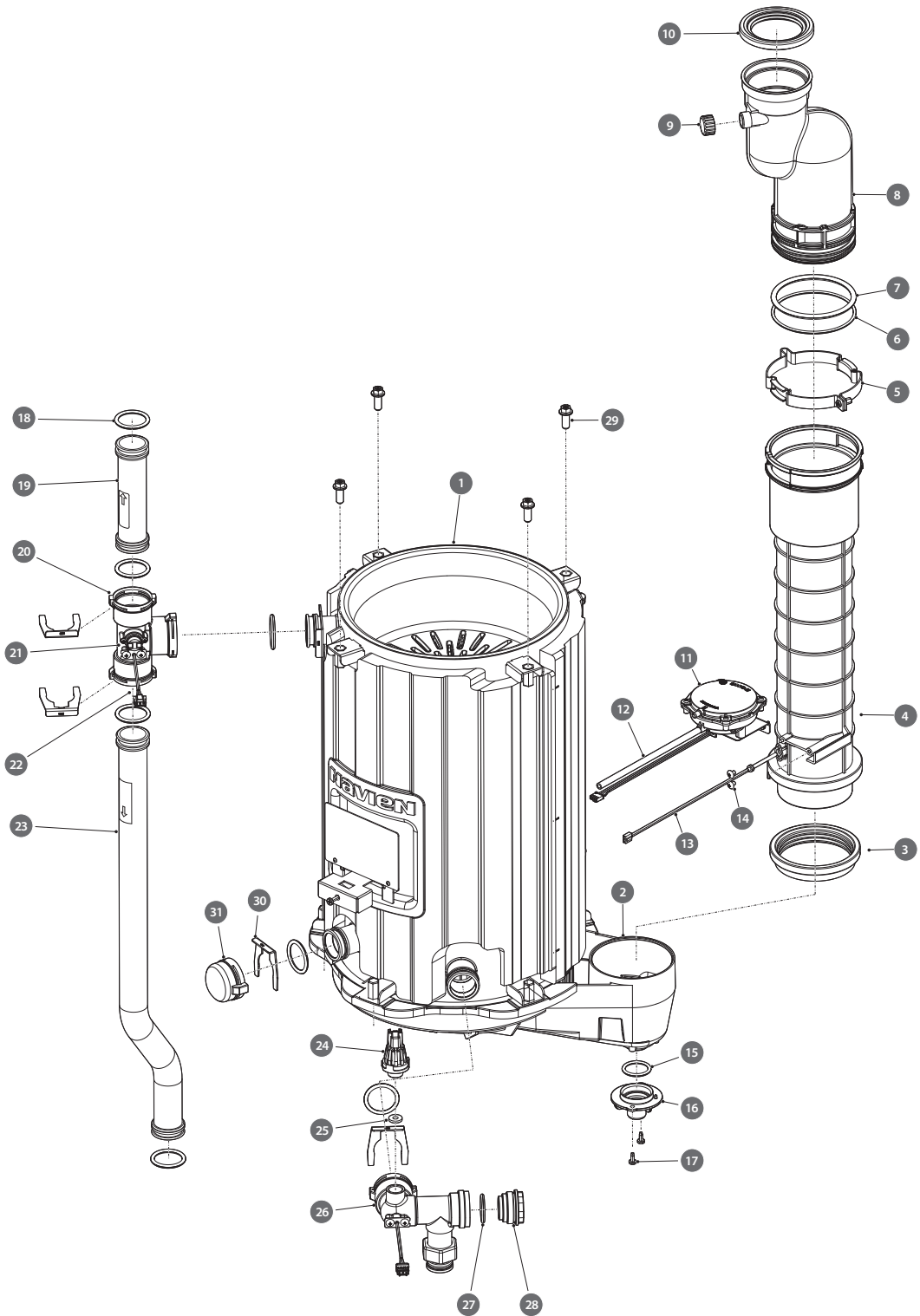
12.6 Component Assembly Diagrams and Parts Lists

12.6.1 Case Assembly



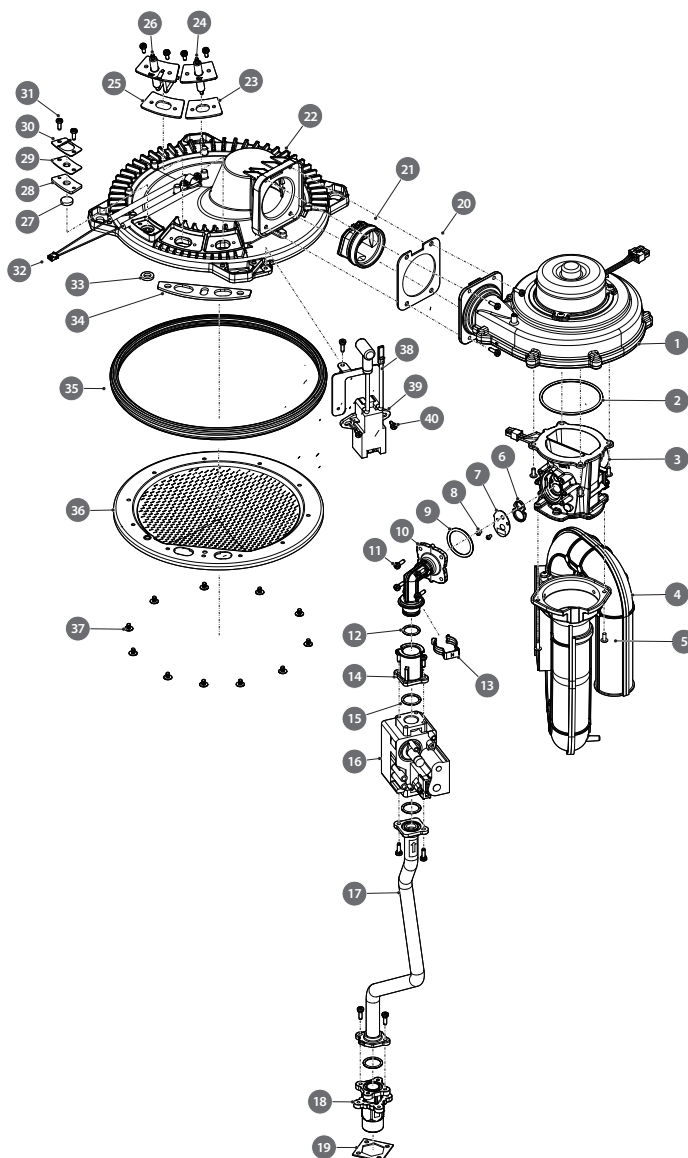
#	Description	Service code	Part #	Remark
1	Case Upper	-	20050476*	
	Case Middle	-	20044456*	
	Case Lower	-	20050478*	
2	Cover	30027137A	30026129*	
3	Drain Pan Adapter Lower Bracket	-	30026130*	
4	Heat Exchanger Bracket	-	20040243*	
5	Bolt (Ø4x10)	-	20038757*	
6	Base Bracket	-	20007609*	
7	Screw (Ø4x6)	-	20038859*	
8	PCB Lower Bracket	-	30022565*	
9	Screw (Ø4x8_S/W)	-	20044834*	
10	Screw (Ø4x10)	-	20038753*	
11	Base Lower Bracket	-	20007643*	
12	Intake Air Filter	30016248B	30016248*	
13	Air Vent Adapter Packing	-	20051553*	
14	Air Vent Adapter	-	20051171*	
15	Screw (Ø5X14)	-	20046629*	
16	Exhaust Duct Assembly	30024848A	30024848*	
17	Base Packing	-	20041078*	
18	Intake Air Duct Assembly	30008662B	30008662*	
19	Rubber Ring	-	20029318*	
20	Power Transformer	30019688A	30019688*	
21	Power Transformer Bracket	-	20042385*	
22	24V Power Transformer Plate Packing	-	20045757*	
23	24V Power Transformer Plate	-	20045758*	
24	Main PCB	30026476A	30026476*	
25	Terminal PCB	30021496A	30021496*	
26	Screw (Ø4x18)	-	20041462*	
27	Front Panel Bracket	-	20041153*	
28	Front Panel	-	30025421*	

12.6.2 Heat Exchanger and Waterway Assembly



#	Description	Service code	Part #	Remark
1	Heat Exchanger Assembly	30021656A	30021564*	
2	Drain Pan Assembly	30021887A	20040239*	
3	Drain Pan Packing	30021887A	20040241*	
4	Exhaust Duct (Lower)	30019174A	20040242*	
5	Exhaust Duct Clip	30019174A	20042741*	
6	Exhaust Duct Packing (G90)	30019174A	20027350*	
7	Exhaust Duct Packing (P85)	30019174A	20042823*	
8	Exhaust Duct Adapter	30019174A	20040727*	
9	Exhaust Duct Cap	30019174A	20029712*	
10	Exhaust Duct Packing (Upper)	30019174A	20044452*	
11	Air Pressure Sensor	30018511A	30015811*	
12	Air Pressure Sensor Hose	-	20006685*	
13	Thermistor (Exhaust)	300220489A	30020489*	
14	Screw (Ø4x6)	-	20006535*	
15	O-ring (P26)	-	20032409*	
16	Drain Pan Adapter	-	20044473*	
17	Screw (Ø4X10)	-	20038753*	
18	O-ring (V32)	-	20048667*	
19	Supply Pipe (Upper)	-	30026106*	
20	Heat Exchanger Outlet Adapter	-	20051172*	
21	Overheat Preventer	30023954A	30023954*	
22	Temperature Sensor	30012907A	30012907*	
23	Supply Pipe (Lower)	-	30025881*	
24	Water Pressure Sensor	30021482A	30021482*	
25	Water Pressure Sensor Packing	20006873A	20006873*	
26	Heat Exchanger Inlet Adapter	-	20051631*	
27	O-ring (P26)	-	20032409*	
28	Adapter Cap	-	20051160*	
29	Screw (Ø8X20)	-	20042814*	
30	Clip (Ø32)	20040255A	20040255*	
31	Heat Exchanger Drain Cap	20042237B	20042237*	

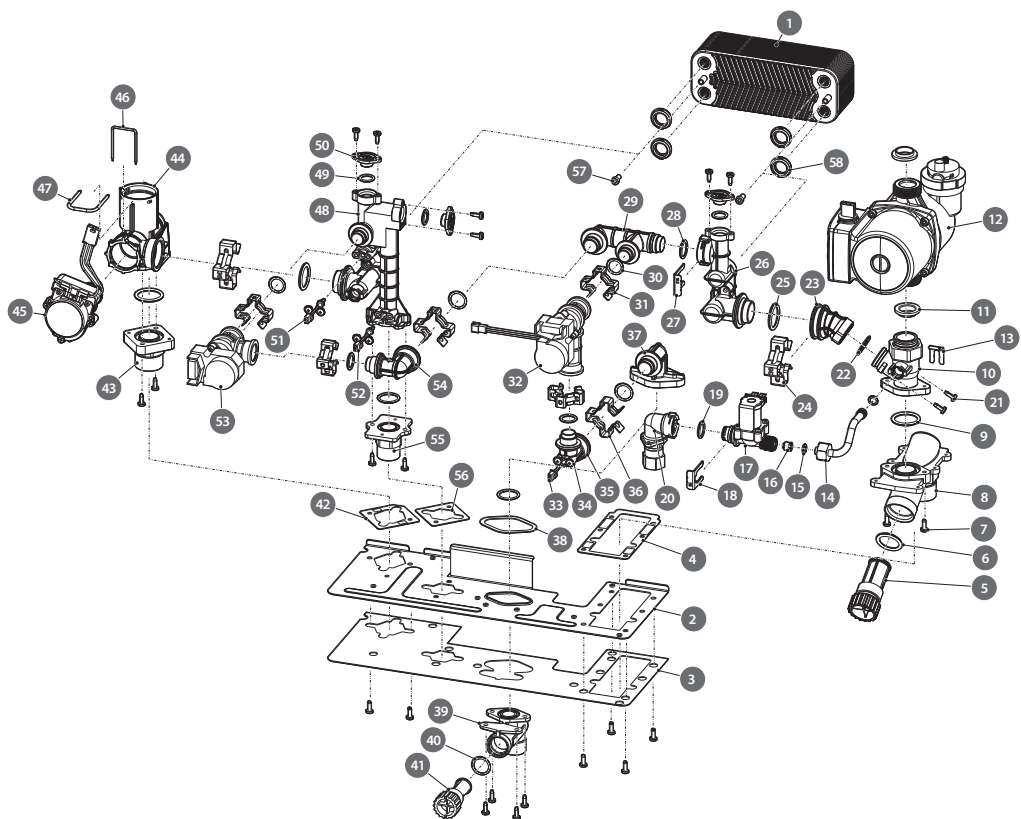
12.6.3 Combustion Parts Assembly



#	Description	Service code	Part #	Remark
1	Fan Assembly	30019826A	30026225*	
2	Venturi Packing	-	20018079*	
3	Dual Venturi	30027110A	30026308*	
4	Intake Pipe	30019120A	30019120*	
5	Screw (Ø4x10)	-	20034293*	
6	Orifice Packing	20022660A	20022660*	
7	Gas Orifice	20052127A	20052127*	NFB,C-175H/200H (NG)
		20052133A	20052133*	NFB,C-175H/200H (NG,H)
		20052134A	20052134*	NFB,C-175H/200H (LP)

#	Description	Service code	Part #	Remark
8	Bolt (Ø3x5)	-	20006365*	
9	O-ring (P34)	-	20019090*	
10	Gas Connector (Upper)	-	20051616*	
11	Screw (Ø4x12_S/W)	20043077A	20043077*	
12	O-Ring (P18)	20023434A	20023434*	
13	Fastener	20007878A	20007878*	
14	Gas Connector Adapter	-	20042239*	
15	O-Ring (P20)	20006934A	20006934*	
16	Gas Valve	30011586B	30011586*	
17	Gas Pipe	-	30025779*	
18	Gas Inlet Adapter	20042244A	20042244*	
19	Packing (EVA)	-	20023581*	
20	Fan Packing	-	20042399*	
21	Fan Damper	30008825A	30008825*	
22	Mixchamber	20040227D	20040227*	
23	Flame Rod Packing	30027109A	20045645*	
24	Flame Rod	30027109A	30025791*	
25	Igniter Packing	30027108A	20045644*	
26	Igniter	30027108A	30025790*	
27	Flame Inspection Window Glass	30021277A	20040236*	
28	Flame Inspection Window Graphite Packing	30021277A	20043399*	
29	Flame Inspection Window Lower Bracket	30021277A	20040232*	
30	Flame Inspection Window Upper Bracket	30021277A	20040231*	
31	Bolt (Ø4x10)	20038758A	20038758*	
32	Burner Temperature Fuse	30020776A	30020776*	
33	Packing (Graphite)	-	20040234*	
34	Packing (Graphite)	-	20040233*	
35	Burner Packing	-	20040228*	
36	Burner	-	30025237*	
37	Bolt (Ø4x6)	-	20048389*	
38	Ignition Transformer Bracket	-	20041154*	
39	Ignition Transformer	30019980A	30019980*	
40	Screw (Ø4X10)	-	20038753*	

12.6.4 Waterway Assembly



#	Description	Service code	Part #	Remark
1	Plate Heat Exchanger	30021098B	30021098*	
2	Block Plate	-	20044475*	
3	Block Plate Packing	-	20045394*	
4	Heating Return Adapter Packing	-	20045397*	
5	DW filter	-	30014683*	
6	O-Ring (P25)	-	20032528*	
7	Bolt (Ø4x10)	-	20038757*	
8	Heating Return Adapter	-	20044488*	
9	O-Ring (P28)	-	20022142*	
10	Pump Inlet adapter	-	20049380*	
11	Pump Packing	20044484A	20044484*	
12	Circulation Pump	30023987A	30023987*	
13	Fastener (Ø8)	20034617A	20034617*	
14	Water Supplement Pipe	-	30026344*	
15	O-Ring (P8)	-	20006963*	
16	Check Valve	-	30015223*	
17	Auto Feeder Valve	30016037A	30016037*	

#	Description	Service code	Part #	Remark
18	Fastener (Ø16)	20007736B	20007736*	
19	O-Ring (P16)	20006953A	20006953*	
20	Water Supply Adapter	-	20044486*	
21	Screw (Ø4x12)	-	20041461*	
22	O-Ring (P22)	-	20048007*	
23	Pump Inlet Adapter	-	20049379*	
24	Fastener (Ø36)	-	20017724*	
25	O-Ring (P26)	-	20032409*	
26	Mixing Valve Adapter	-	20044471*	
27	Fastener (Ø19.7)	-	20007733*	
28	O-Ring (P18)	-	20048006*	
29	Mixing Connector	-	20044469*	
30	O-Ring(P16)	-	20048005*	
31	Fastener (Ø25)	-	20007859*	
32	Flow Adjust Valve	30008247A	30008247*	
33	DHW Temperature Sensor (Blue)	30022207B	30022207*	
34	Screw (Ø4x6)	-	20017962*	
35	DHW Inlet Connection Adapter	-	20044470*	
36	Fastener (Ø27)	-	20017726*	
37	DHW Inlet Connection Adapter	-	20044477*	
38	DHW Inlet Adapter Packing	-	20045393*	
39	DHW Inlet Adapter	-	20044701*	
40	O-Ring (P19)	20017211A	20017211*	
41	Water Filter	30008171A	30008171*	
42	Heating Supply Adapter Packing	-	20045396*	
43	Heating Supply Adapter	-	20044489*	
44	3 Way Valve Body	30026794A	20051343*	
45	3 Way Valve	30026794A	30028157*	
46	3 Way Valve Fastener	30026794A	20029414*	
47	3 Way Valve Body Pipe Fastener	30026794A	20051342*	
48	Mixing Valve Manifold	-	20044482*	
49	O-Ring (P14)	-	20048004*	
50	Cap	-	20017744*	
51	DHW Temperature Sensor (Black)	-	30022222*	
52	DHW Temperature Sensor (Red)	30023765A	30023765*	
53	Mixing Adjust Valve	30011532A	30011532*	
54	DHW Connection Elbow	-	20025962*	
55	DHW Outlet Adapter	-	20044487*	
56	DHW Outlet Adapter Packing	-	20045395*	
57	Bolt (Ø5x10)	20009865A	20009865*	
58	Plate Heat Exchanger Packing	20047738A	20047738*	