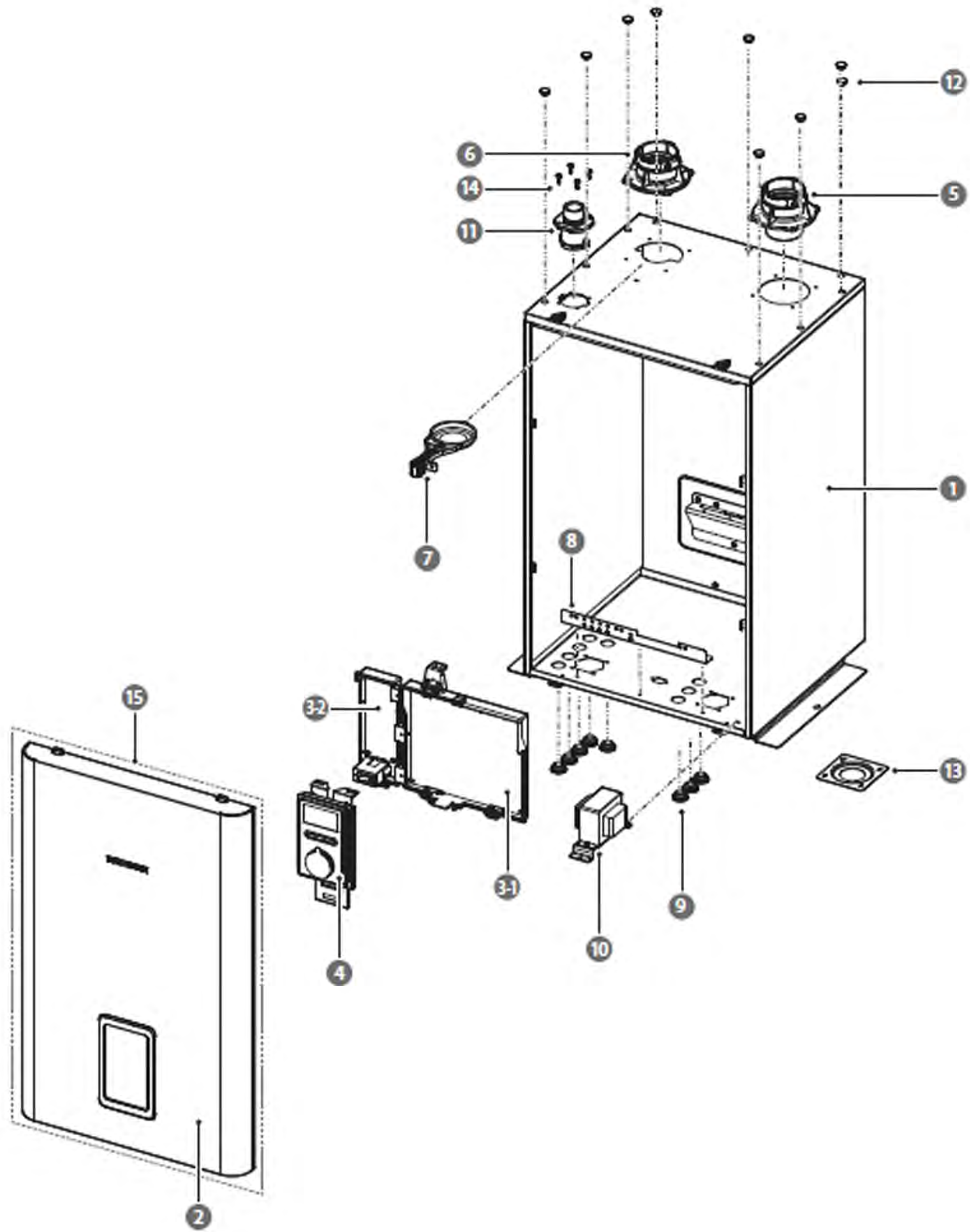


## 12.6 Component Assembly Diagrams and Parts Lists

### 12.6.1 Case Assembly

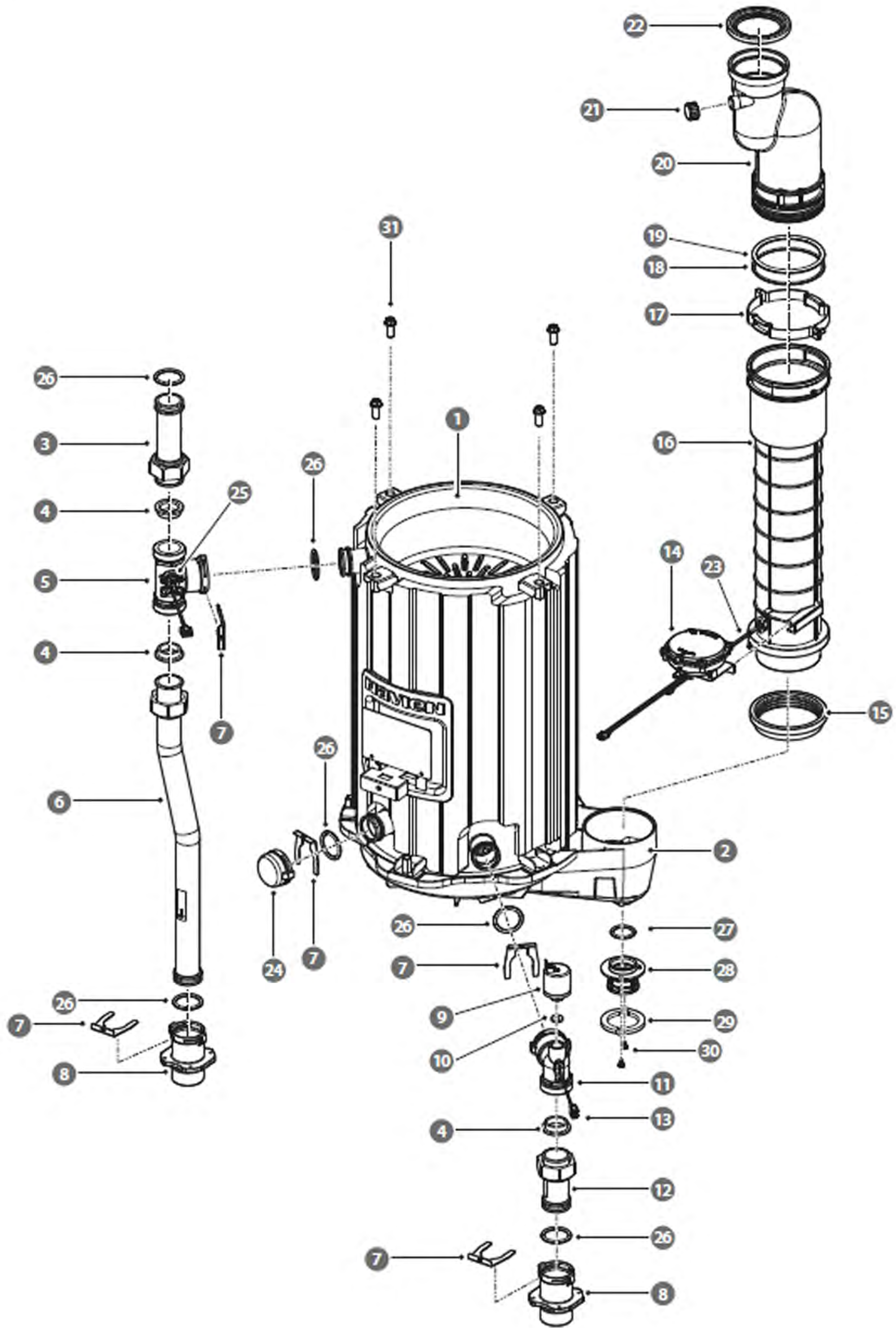




#	Description	Part #	Remark
1	Case Upper	20041092A	
	Case Middle	20041094A	
	Case Lower	20041096A	
2	Cover	30019181A	
3-1	Main PCB	30019689A	
3-2	Terminal PCB	30019951A	
4	Front Panel	30019664A	
5	Exhaust Duct Assembly	30008673A	
6	Intake Air Duct Assembly	30008662B	
7	Intake Air Filter	20007667A	
8	PCB Lower Bracket	20041079A	
9	Rubber Ring	20029318A	
10	24 V Power Transformer	30019981A	
11	Air Vent Adapter	20040245A	
12	Base Packing	20041078A	
13	Drain Pan Adapter Lower Bracket	20043489A	
14	Screw (M4X14)	20038754A	
15	Cover	30021654A	SERVICE KIT



### 12.6.2 Heat Exchanger and Waterway Assembly

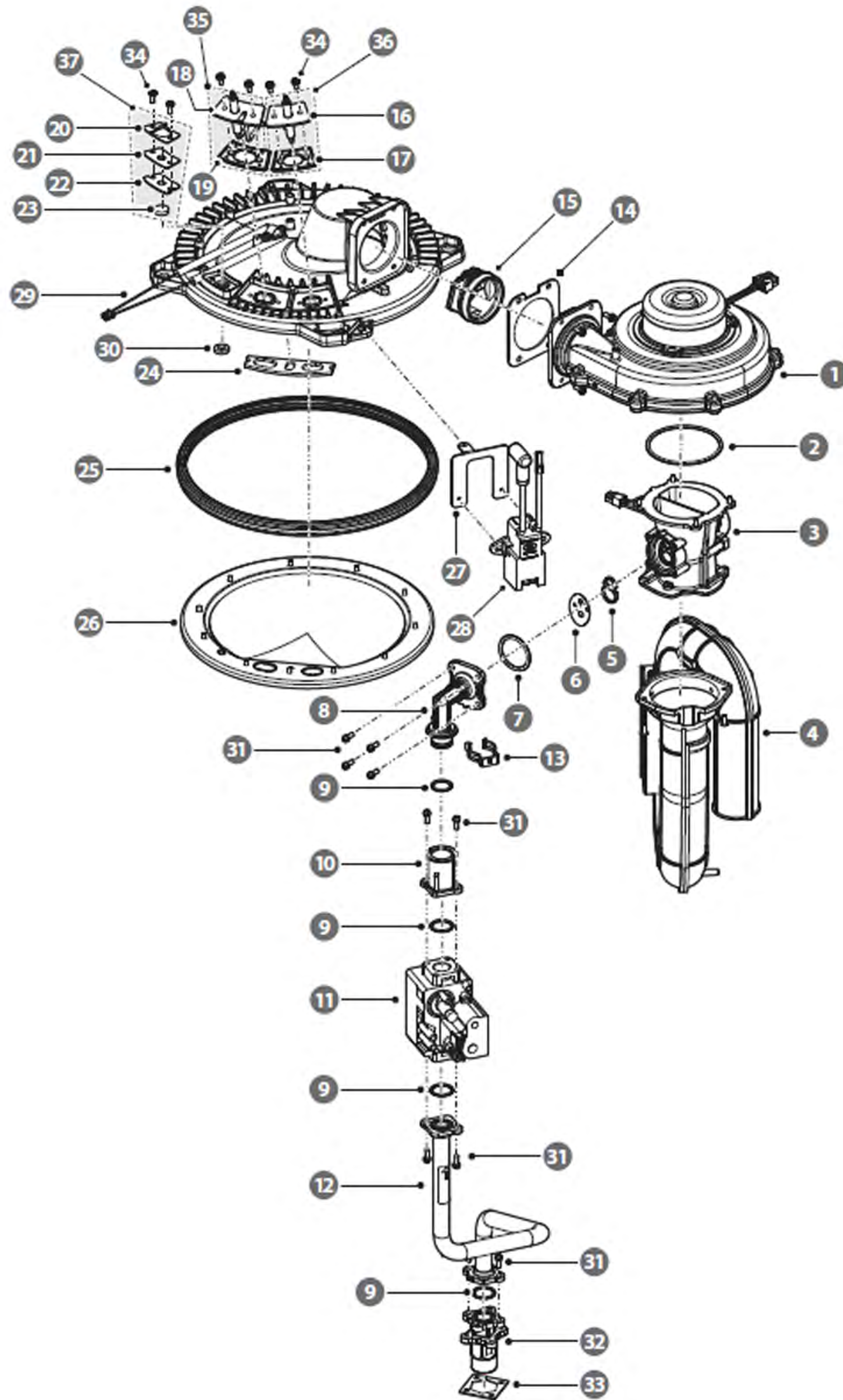




#	Description	Part #	Remark
1	Heat Exchanger Assembly	30019155A	NFB-200
		30019724A	NFB-175
2	Drain Pan Assembly	30019173A	
3	Supply Pipe (Upper)	30019177A	
4	Packing (P27)	20041401A	
5	Heat Exchanger Outlet Adapter	30019645A	
6	Supply Pipe (Lower)	30019176A	
7	Fastener	20040255A	
8	Heating Supply Adapter	20040244A	
9	LWCO (Pressure Sensor)	30013223A	
10	LWCO (Pressure Sensor) Packing	20006873A	
11	Heat Exchanger Inlet Adapter	30019648A	
12	Return Pipe	30019175A	
13	Thermistor	30012907A	
14	Air Pressure Sensor	30015811A	
15	Drain Pan Packing	20040241A	
16	Exhaust Duct (Lower)	20040242A	
17	Exhaust Duct Clip	20042741A	
18	Exhaust Duct Packing (G90)	20027350A	
19	Exhaust Duct Packing (P85)	20042823A	
20	Exhaust Duct (Upper)	20040727B	
21	Exhaust Duct Cap	20029712A	
22	Exhaust Duct Packing (Upper)	20024690A	
23	Thermistor (Exhaust)	30009478A	
24	Heat Exchanger Drain Cap	20042237A	
25	High Limit Switch	30002558A	
26	O-ring (V32)	20041403A	
27	O-ring (P26)	20032409A	
28	Drain Pan Adapter	20041181A	
29	Packing (Drain Pan Adapter)	20041449A	
30	Screw (M4X6)	20038752A	
31	Screw (M8X20)	20042814A	



### 12.6.3 Combustion Parts Assembly





#	Description	Part #	Remark
1	Fan Assembly	30019668A	NFB-200
		30019106A	NFB-175
2	Venturi Packing	20018079A	
3	Dual Venturi	30017402A	
4	Intake Pipe	30019120A	
5	Orifice Packing	20022660A	
6	Gas Orifice	20041039A	NFB-200 (NG)
		20041037A	NFB-175 (NG)
		20041040A	NFB-200 (LP)
		20041038A	NFB-175 (LP)
7	O-ring (P34)	20019090A	
8	Gas Connector (Upper)	20042238A	
9	O-ring (P20)	20006934A	
10	Gas Connector Adapter	20042238A	
11	Gas Valve	30011586A	
12	Gas Pipe	30019180A	
13	Fastener	20007878A	
14	Fan Packing	20042399A	
15	Fan Damper	30008825A	
16	Flame Rod	30019166A	
17	Flame Rod Packing	20040230A	
18	Igniter	30019165A	
19	Igniter Packing	20040229A	
20	Flame Inspection Window (Upper)	20040231A	
21	Flame Inspection Window (Lower)	20040232A	
22	Flame Inspection Window (Graphite Packing)	20043399A	
23	Flame Inspection Window (Glass)	20040236A	
24	Packing (Graphite)	20040233A	
25	Burner Packing	20040228A	
26	Burner	20040226A	
27	Ignition Transformer Bracket	20041154A	
28	Ignition Transformer	30019980A	
29	Burner Temperature Fuse	30020776A	
30	Packing (Graphite)	20040234A	
31	Screw (M4X12)	20006390A	
32	Gas Inlet Adapter	20042244A	
33	Packing (EVA)	20023581A	
34	Screw (M4X10)	20038758A	
35	(SET) Igniter	30021275A	Includes Igniter and Packing
36	(SET) Flame Rod	30021274A	Includes Flame Rod and Packing
37	(SET) Flame Inspection Window	30021277A	Includes Upper/Lower/Glass and Packing