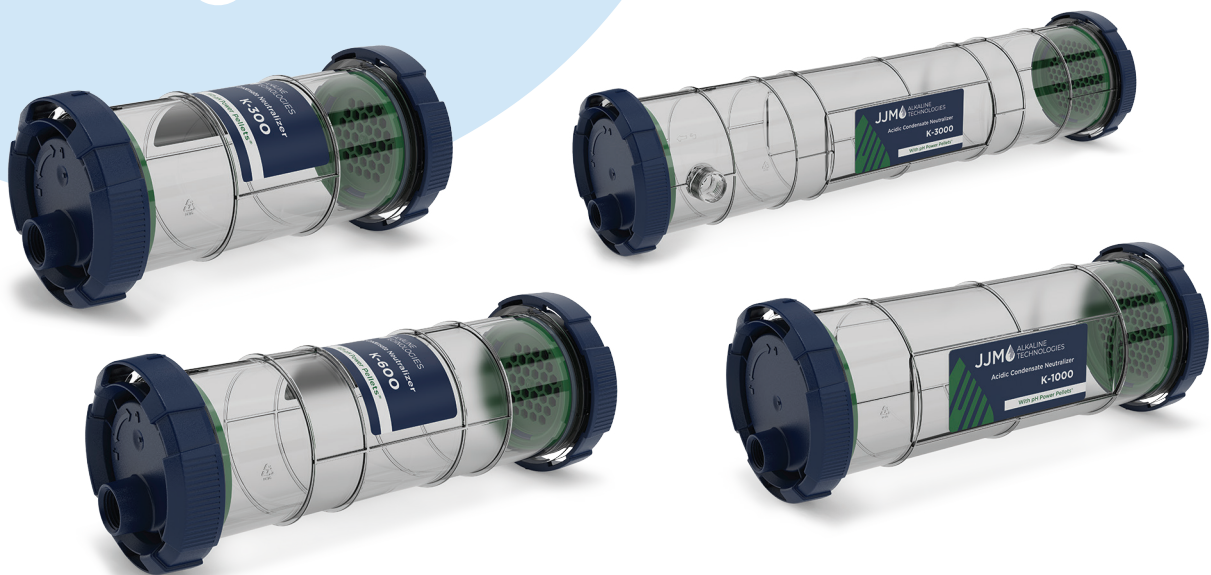


K-Series

With pH Power Pellets®

Acidic Condensate Neutralizers for Condensing Boiler, Furnace, and Water Heater Installations

The K-Series is a new, innovative product line from JJM® that is ideal for most residential and commercial condensing installations. The K-Series models feature a compact inline tube design that is light-weight, yet industrial strength.



Founded in 2005, JJM® is a leading designer and manufacturer of condensate neutralization solutions used in the heating and plumbing industries. We offer the broadest portfolio of solutions for the safe treatment of acidic condensate produced by today's condensing, gas-fired heating appliances.

WHY JJM®

- Products are purpose-built and designed to perform in the heating and plumbing industries
- Trusted by leading OEMs, specifying engineers, contractors, and service technicians
- Broadest portfolio of solutions for every residential and commercial installation
- Established brand name with over 15 years in the industry

PURPOSE-BUILT AND DESIGNED TO PERFORM IN HEATING AND PLUMBING INSTALLATIONS

● The K-Series is easy to install and service in the field with its inline tube, compact design. Also, the installation kit included with every K-Series model provides installers the flexibility to connect with hard-pipe or poly tubing.

LOWEST INLET ON THE MARKET

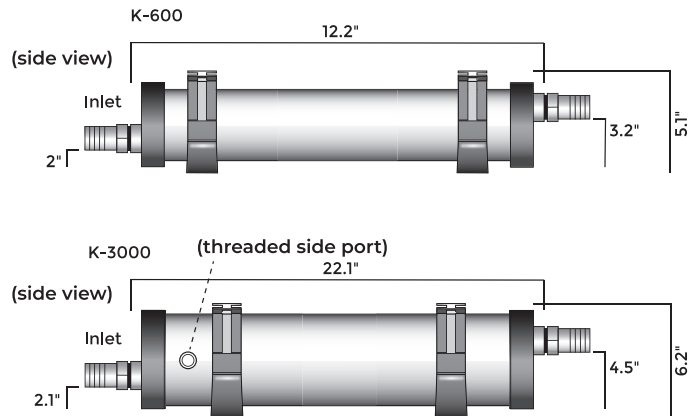
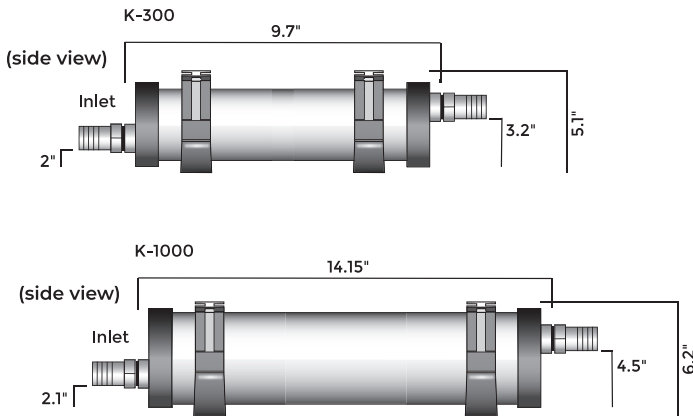
● The K-Series models are designed with the lowest inlet on the market, ensuring the neutralizer works on even the toughest installations like those with low condensate drains.

QUICK AND EASY ROUTINE MAINTENANCE

● The K-Series features a proprietary end-cap design that enables fast and easy maintenance during routine replacement of JJM®'s pH Power Pellets® media, reducing downtime and service hours.

PROTECT FACILITIES AND THE ENVIRONMENT + ENSURE COMPLIANCE WITH REGULATORY CODES

● The K-Series condensate neutralizers are easy to install and a necessary accessory to all condensing, gas-fired heating appliances. The K-Series models ensure the safe treatment of acidic condensate in compliance with federal, industry, state, and local codes to protect facilities and the environment.



	K-300	K-600	K-1000	K-3000
Part #	5101	5102	5103	5104
GPH Condensate	2.4	4.8	8	24
BTU Range (000)	300-400	600-750	1,000-1,200	3,000-3,500
Inlet/Outlet	3/4"	3/4"	3/4"	3/4"