

# CIRCULATORS Series 60 In-Line Mounted Centrifugal Pump

## Description

A maintenance-free, in-line, cast iron centrifugal pump for header pump applications.

## Designed for a variety of applications

- Hydronic heating & cooling systems
- Domestic water
- Fluid transfer

## Product Features

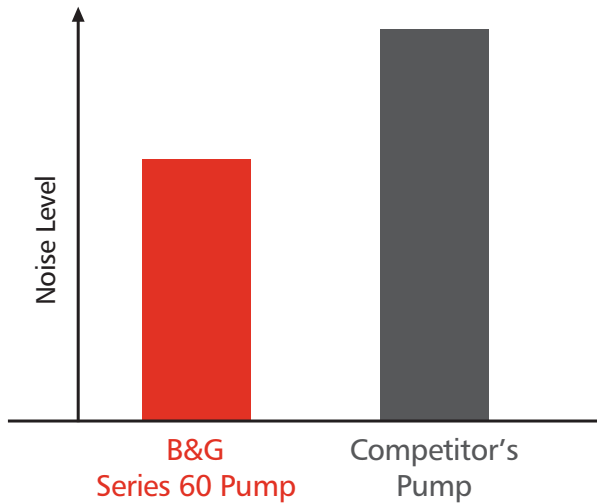
- Maintenance-free pump and motor design
- Internally self-flushing mechanical seal
- XLII® lubrication system
- Factory tested, Quality Product
- ISO 9001 certified
- Neoprene coupling
- Compact design
- Easy installation
- Wide range of standard sizes
- Backed by B&G three-year warranty

## Materials of Construction

Body: Cast Iron (Bronze Fitted)  
Cast Bronze (All Bronze)  
Impeller: Cast Bronze  
Shaft: Alloy Steel  
Shaft Sleeve: Copper Alloy  
Bracket: Cast Iron with Stainless Steel  
Face Plate  
Mechanical Seal: Buna/Carbon -Ceramic  
Standard: -20°F to 225°F

## Operating Data

Maximum working pressure: 175 PSI  
Operating temperature: 225°F

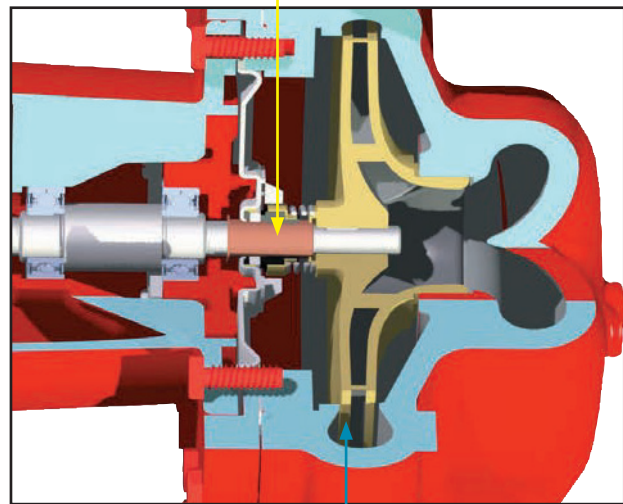


## Quiet operation

The XL-11® Precision-Crafted Bearing System, advanced fluid passage design and B&G permanently lubricated motor come together to deliver smooth, quiet, maintenance-free performance.

## Internally self-flushing seal

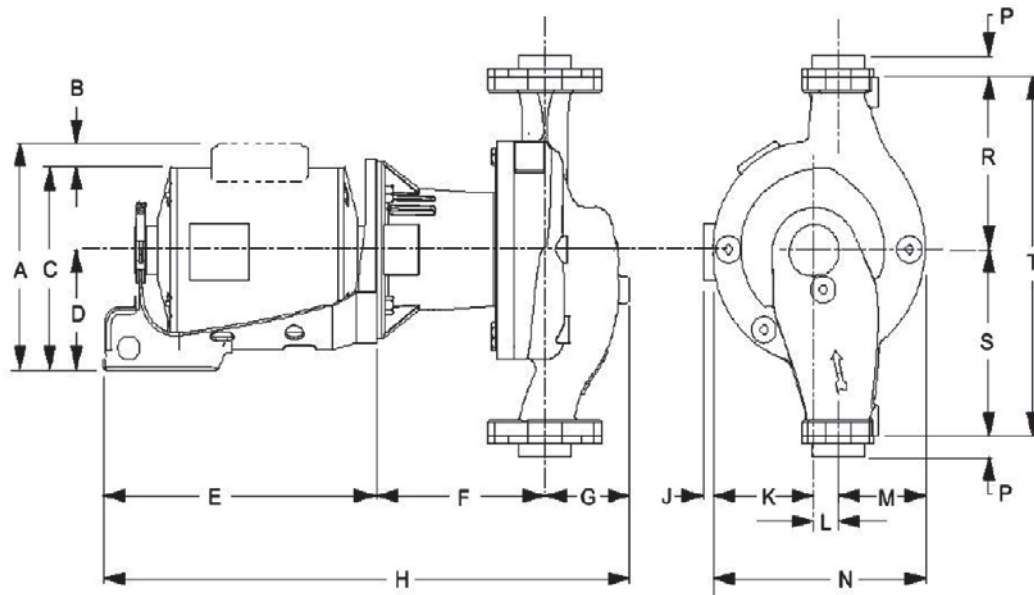
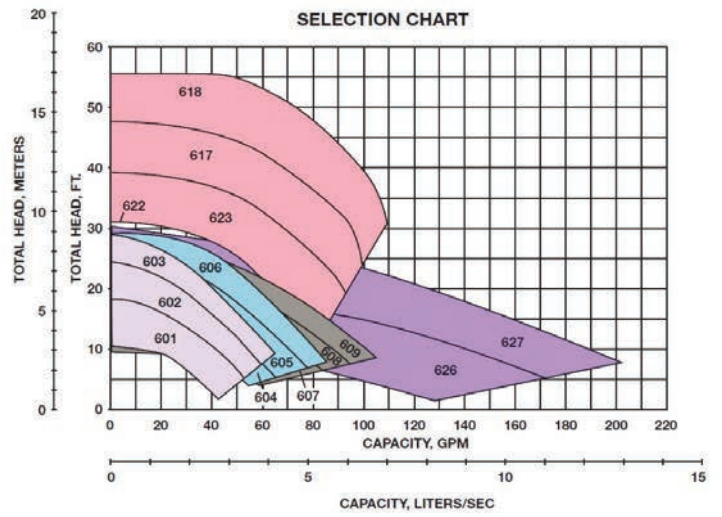
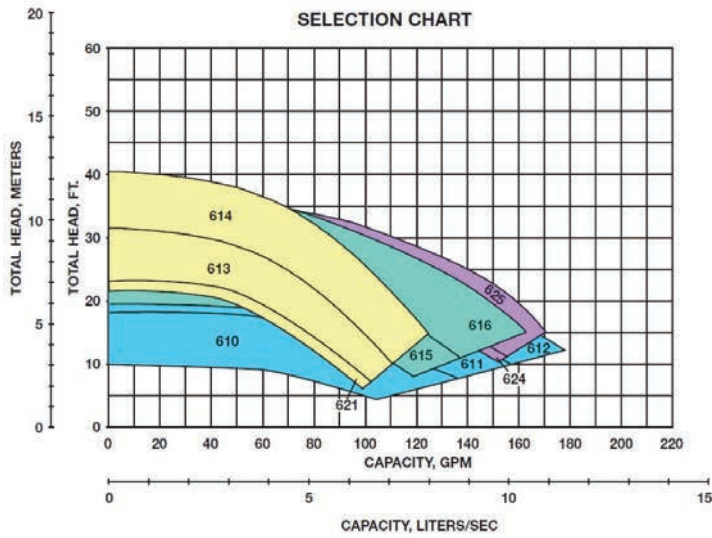
Bell & Gossett's open-seal chamber design provides superior flow circulation around the seal faces, resulting in reduced heat buildup, increased particle removal and superior seal-face flushing. It all adds up to long, trouble-free seal performance.



## Impeller

State-of-the-art hydraulically balanced impellers and resilient-mounted motors provide smooth, quiet operation.

# CIRCULATORS Series 60 In-Line Mounted Centrifugal Pump



## Specifications

MODEL	SUCTION AND DISCHARGE SIZE INCHES NPT	PUMP DIMENSION IN INCHES (MM)									
		F	G	K	L	M	N	P	R	S	T
601,602 & 603	1	6-7/16 (164)	3-7/16 (87)	3-5/8 (92)	1-3/8 (35)	2-1/2 (64)	7-1/2 (190)	3/4 (19)	5 (127)	6 (152)	11 (279)
604,605 & 606	1-1/4	6-7/16 (164)	3-7/16 (87)	3-5/8 (92)	1-3/8 (35)	2-1/2 (64)	7-1/2 (190)	3/4 (19)	5 (127)	6 (152)	11 (279)
607,608 & 609	1-1/2	6-9/16 (167)	3-5/8 (92)	3-3/4 (95)	1-3/8 (35)	2-3/4 (70)	7-7/8 (200)	3/4 (19)	5 (127)	6-1/2 (165)	11-1/2 (292)
613,614 & 621	1-1/2	6-11/16 (170)	3-3/8 (86)	4-1/16 (103)	1 (25)	3-9/16 (90)	8-9/16 (217)	3/4 (19)	6-1/2 (165)	7 (176)	13-1/2 (343)
617,618,622 & 623	1-1/2	9-3/8 (238)	3-1/4 (83)	4-5/8 (117)	1 (25)	3-7/8 (98)	9-1/2 (241)	3/4 (19)	6-1/2 (165)	7 (176)	13-1/2 (343)
610,611 & 612	2	6-11/16 (164)	3-3/4 (95)	3-3/4 (95)	1-3/8 (35)	2-7/8 (73)	8 (203)	13/16 (21)	5 (127)	6-1/2 (165)	11-1/2 (292)
615,616	2	6-15/16 (170)	3-1/2 (89)	4-3/8 (111)	1 (25)	4 (102)	9-3/8 (238)	13/16 (21)	6-1/2 (165)	7 (176)	13-1/2 (343)
619,620 & 624	2	9-3/8 (238)	3-1/2 (89)	4-3/4 (121)	1 (25)	4-1/8 (105)	9-7/8 (251)	13/16 (21)	6-1/2 (165)	7-1/2 (165)	14 (356)

Maximum working pressure 175 PSI (12 Bar)