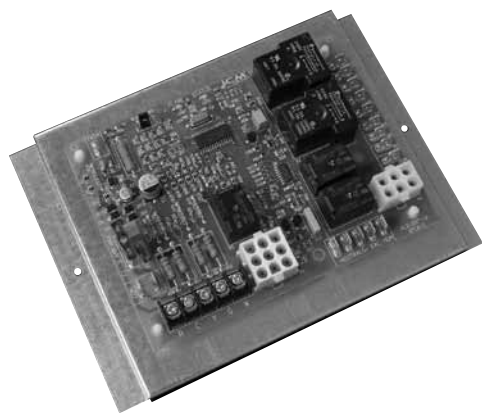




# ICM2805A



## Installation, Operation & Application Guide

For more information on our complete range of American-made products – plus wiring diagrams, troubleshooting tips and more, visit us at [www.icmcontrols.com](http://www.icmcontrols.com)



**DANGER** This board should be installed by a qualified technician only. Failure to follow these instructions could lead to property damage, personal injury or death.

**CAUTION** Disconnect the power supply by turning off a circuit breaker or removing a fuse before attempting to install this board.

## G3RC and G4 Furnace Models

1. Turn off the power supply to the furnace by removing the fuse or turning off the circuit breaker.
2. Remove the wires and connectors from the old board one at a time. Carefully connect them to the **ICM2805A** to prevent a miswire. Remove the mounting screws and then remove the old control board.

3. Place the template (on the back of this sheet) in the control box and secure with tape. Move all wires out of the way and carefully drill four 3/16" diameter holes as shown on the template. Remove and discard the template.

4. Mount the **ICM2805A** with the fuse at the top by inserting the standoffs into the mounting holes.

**NOTE:** Do not flex the **ICM2805A** circuit board. Apply pressure only at the standoffs.

5. Disconnect the 6-pin connector plug. Using an AMP extractor tool # 458994-2 remove the blue wire from socket position #4 and install it in position #1. (see diagram at right). If the tool is not available proceed as follows:

Cut off the blue wire at socket position #4 in the connector (see diagram at right), and strip the insulation back 3/8". Insert the length of blue wire provided in socket position #1, next to the cut off blue wire. Reconnect the 6-pin connector plug. Connect the loose ends of the blue wires using the wire nut provided. Tape the wire nut connection with electrical tape so it cannot loosen.

6. Apply the new wiring diagram for G4 furnaces supplied with the **ICM2805A** to the inside of the cabinet.

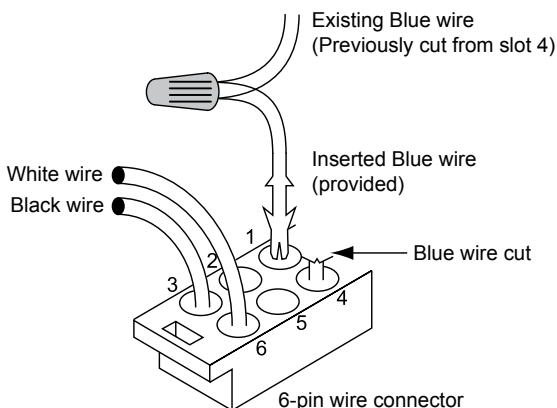
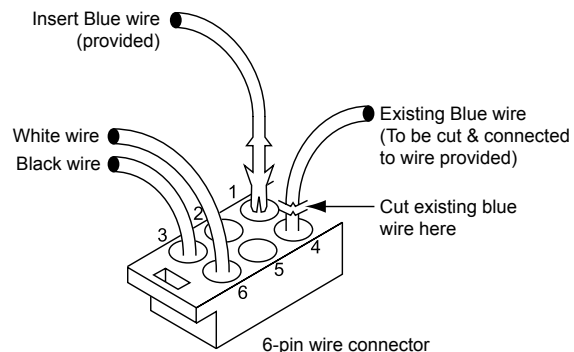
7. Turn on the power supply and check the furnace for proper operation.

## G5 Furnace Models

1. Turn off the power supply to the furnace by removing the fuse or turning off the circuit breaker.
  2. Remove the wires and connectors from the old board one at a time. Carefully connect them to the **ICM2805A** to prevent a miswire. Remove the control bracket mounting screws from the outside of the cabinet (except G5RL models). Install the new control bracket and then proceed to step 4. If the screws are not accessible, new mounting holes must be drilled in the existing mounting bracket using the template on the back of this instruction sheet.
  3. Remove the screw securing the old control board and then remove the old control board. Place the template (on the back of this sheet) over the mounting bracket and secure with tape. Move all wires out of the way and carefully drill four 3/16" diameter holes as shown on the template. Remove and discard the template.
  4. Mount the **ICM2805A** with the fuse at the top by inserting the standoffs into the mounting holes.
- NOTE:** Do not flex the **ICM2805A** circuit board. Apply pressure only at the standoffs.
5. Apply the new wiring diagram for G5 furnaces supplied with the **ICM2805A** to the inside of the cabinet.
  6. Turn on the power supply and check the furnace for proper operation.

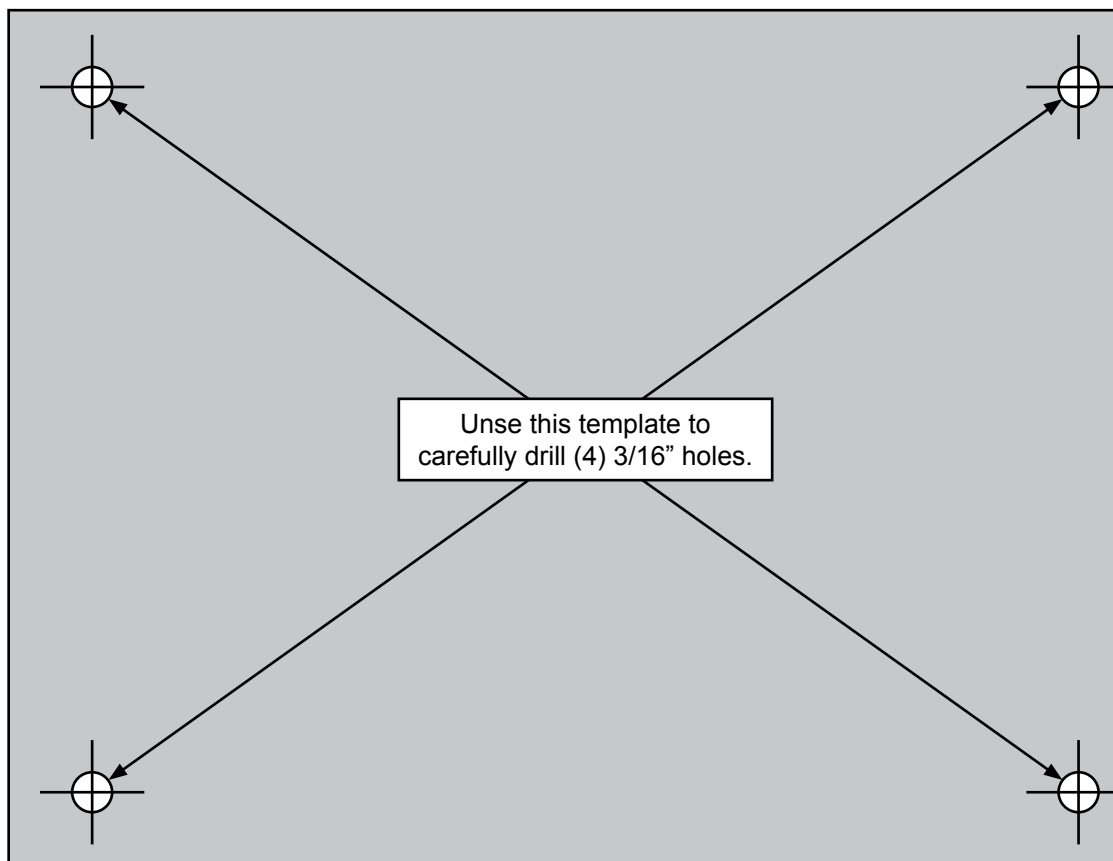
## G6, M2 & M3 Furnace Models

1. Turn off the power supply to the furnace by removing the fuse or turning off the circuit breaker.
  2. Remove the wires and connectors from the old board one at a time. Carefully connect them to the **ICM2805A** to prevent a miswire.
  3. Remove the old board by cutting off the standoffs. Install the **ICM2805A** in the same position by snapping the standoffs into the mounting holes.
- NOTE:** Do not flex the **ICM2805A** circuit board. Apply pressure only at the standoffs.
4. Turn on the power supply and check the furnace for proper operation.



**All G4 and G5 furnaces, except G5RL Models:**

Place this corner of the template in the corner of the control box, next to cutout (G4), or on lower-right corner of mounting panel (G5)



**G5RL Models:** Fold back on line

**G5RL Models only:** Fold paper back along dashed line and place this corner on lower-left corner of mounting panel.

**ICM2805A Fault Codes**

This control has built-in self-diagnostic capability. If a system problem occurs, a blinking LED shows a fault code.

LED'S	Flashes	Fault Condition
Red	ON	Normal operation
	1 Flash	Limit switches open
	2 Flashes	Pressure switch stuck open
	3 Flashes	Pressure switch stuck closed
	4 Flashes	Ignition failure (5 trials)
	5 Flashes	Hot and Neutral reversed or no ground
	6 Flashes	Brownout voltage
Yellow	Continuous	Fault flame or Gas valve relay short
	Continuous	Low flame or No flame
	ON	Flame present

**ONE-YEAR LIMITED WARRANTY**

The Seller warrants its products against defects in material or workmanship for a period of one (1) year from the date of manufacture. The liability of the Seller is limited, at its option, to repair, replace or issue a non-case credit for the purchase prices of the goods which are provided to be defective. The warranty and remedies set forth herein do not apply to any goods or parts thereof which have been subjected to misuse including any use or application in violation of the Seller's instructions, neglect, tampering, improper storage, incorrect installation or servicing not performed by the Seller. In order to permit the Seller to properly administer the warranty, the Buyer shall: 1) Notify the Seller promptly of any claim, submitting date code information or any other pertinent data as requested by the Seller. 2) Permit the Seller to inspect and test the product claimed to be defective. Items claimed to be defective and are determined by Seller to be non-defective are subject to a \$30.00 per hour inspection fee. This warranty constitutes the Seller's sole liability hereunder and is in lieu of any other warranty expressed, implied or statutory. Unless otherwise stated in writing, Seller makes no warranty that the goods depicted or described herein are fit for any particular purpose.



7313 William Barry Blvd., North Syracuse, NY 13212  
 (Toll Free) 800-365-5525 (Phone) 315-233-5266 (Fax) 315-233-5276  
 www.icmcontrols.com