

R7284B,P,U,G Electronic Oil Primary, EnviraCOM™ Enabled

INSTALLATION INSTRUCTIONS

APPLICATION

The R7284B,P,U,G Electronic Oil Primary is a line voltage, safety rated, interrupted and intermittent ignition oil primary control for residential oil fired burners used in boilers, forced air furnaces and water heaters. The R7284B,P,U,G used with a cad cell flame sensor operates an oil burner, spark igniter, and optional oil valve. The control works with a low voltage and optional high voltage thermostat. The primary controls fuel oil, senses flame, controls ignition spark (either interrupted or intermittent) and notifies through the EnviraCOM™ bus a remote alarm circuit when in lockout.

The R7284 Series of Oil Primary Controls can be used with both hydronic and forced air systems. When used with hydronic systems, line voltage switching Aquastat® Controllers normally provide for the starting and stopping of the combustion sequences. With forced air systems, both mechanical and electronic low voltage thermostats control the starting and stopping of the combustion process.

Some hydronic and forced air systems require a delayed valve-on and burner motor-off delay. The R7284 operates an oil valve that prevents the flow of oil when the burner motor is running prior to combustion (delayed valve-on) and when the burner motor is running after combustion (burner motor-off delay).

The R7284 models are intended for use only on oil burning appliances which do not require prepurge and post-purge as a safety related function as defined in UL296. The valve-on delay and burner motor-off delay in this control are intended only to help establish draft and reduce oil after-drip related problems.

EnviraCOM™ enabled R7284's can be used with EnviraLink® remote monitoring systems and hand-held diagnostics. Use only R7284P and U models for networking with other EnviraCOM™ enabled devices.

FEATURES

User Interface

There are two user interfaces: basic and advanced. Both interfaces consist of three buttons: ▲, ▼, and "i."

The advanced interface has a two-line display used to configure device parameters, retrieve diagnostic information, and display system status.

The basic interface has a single LED used to display error codes and system status.

In general, the "i" button cycles through the display options and acts as an "enter" key (in setup modes).

Thermostat(s)

The oil primaries are compatible with both standard thermostats and EnviraCOM™ communicating thermostats.

Limited Recycle

This feature limits the number of recycle trials (for each call for heat) to a maximum of three trials. If the flame is lost three times and does not successfully satisfy a call for heat, the R7284 locks out.

Pump Priming Cycle

To facilitate purging air from the oil lines and filters, the R7284 can be placed in a purge routine by pressing and releasing the up arrow button during the Trial For Ignition.

In the advanced interface "PUMP PRIME" is displayed on the display along with the time left on the Trial for Ignition (TFI). Pressing the up arrow button adds a minute to the TFI time for a maximum of 10 additional minutes (press the up arrow button 10 times). Pressing the down arrow button subtracts a minute from the TFI time.

There is no visual indication for the basic interface control and the purge timing is limited to five minutes.

Disable Function

Pressing and holding the "i" button will disable all control functions until 3 seconds after the button is released.

Lockout Modes

The R7284 has three types of lockout modes that are entered when an error is encountered:



- **Soft Lockout:** Caused by a temporary internal error such as low voltage. The control recovers automatically after the error is no longer detected.
- **Hard Lockout:** Caused by a failure internal to the control or by a system fault such as flame out of sequence. A Hard Lockout will result in a no heat condition. To reset from Hard Lockout press and hold the "I" button for 2 seconds.
- **Restricted Lockout:** Caused by a number of consecutive hard lockouts on the same heat cycle. To reset from a Restricted Lockout press and hold the "I" button for ten seconds.

NOTE: Some models have adjustable Valve-on Delay, Burner Off Delay, and Lockout timings.

Electrical Ratings:

Inputs:

Voltage: 102 to 132 Vac, 120 Vac nominal.
Current: 0.5A plus burner motor, valve and igniter loads.

Frequency: 60 Hz.

Outputs:

Relay Contacts:

Burner: 120 Vac, 10 full load amperes (FLA), 60 locked rotor amperes (LRA).

Valve: 120 Vac, 1A.

Igniter: 120 Vac, 3 A.

Low Voltage Shutdown: 80 Vac

Thermostat Current Available: 100 mA.

EnviraCOM™ Current Available: 150 mA.

NOTE: Reduce burner FLA rating by igniter load. For example, if the igniter draws 3A (120 Vac, 360 VA), reduce the burner motor FLA to 7A.

Cad Cell Resistance

Cad cell resistance can be checked without using an ohm meter.

Basic Interface:

Press and release the "I" button. The resulting flashes indicate the resistance. See Table 3.

Advanced Interface:

The cad cell resistance is shown on the display.

Valve-on Delays/Blower Motor-off Delays

Select models may have fixed or adjustable delays for valve open or blower motor off. The safety circuits will check for flame during these delays and, if a flame is present, will switch the control to lockout.

Typical Component Wire Color Code:

White: Neutral.

Black: Line.

Orange: Motor.

Blue or Blue w/White Stripe: Igniter.

Violet: Valve.

Red: Limit.

NOTE: The R7284 is provided with 1/4" quick-connect terminals.

SPECIFICATIONS

Models:

Table 1 lists the major features for the R7284.

Timing:

Valve-on Delay: 0–30 seconds

Burner Off Delay: 0–8 minutes

Lockout: 15, 30 or 45 seconds.

Recycle: 60 seconds (fixed).

Ignition Carryover: 10 seconds (fixed).

Environmental Ratings:

Operating/Shipping Temperature: -40°F to +150°F (-40°C to +66°C).

Display text may not be visible below -4°F (-20°C)

Humidity: 0% to 95% relative humidity at 104°F (40°C), noncondensing.

Accessories:

W8735S3000 Alarm Module

Approvals:

Underwriters Laboratories Inc.: Recognized (File MP268).

Canadian Underwriters Laboratories Inc.

Table 1. R7284 Models.

Model	Limit	Valve	Notes
R7284B	No	Yes	Valve on delay only
R7284G	No	No	No on/off delays, intermittent ignition (wire igniter together with motor)
R7284P	Yes	Yes	On and off delays
R7284U	Yes	Yes	On and off delays

INSTALLATION

When Installing This Product...

1. Read these instructions carefully. Failure to follow instructions can damage the product or cause a hazardous condition.
2. Check ratings given in these instructions and on the product to make sure the product is suitable for your application.
3. Make sure the installer is a trained, experienced service technician.
4. Use these instructions to check out the product operation after installation.

WARNING

Electrical Shock Hazard.

Can cause severe injury, death or property damage.

Disconnect power supply before beginning installation to prevent electrical shock or equipment damage. More than one disconnect may be involved.

Location

1. Mount on a 4 in. by 4 in. junction box, directly on the main burner, or inside the appliance cabinet. In replacement applications, mount in the same location as the old control. See Fig. 1. Make sure the operating temperatures are within the ambient temperature range (see Specifications section).
2. Before mounting the control, make line voltage connections as shown in Fig. 2 through 10. Splice lines with solderless connectors. Do not exceed load ratings shown on the device label.
3. If necessary, use the control as a template to mark and drill new mounting holes.
4. Mount the device using No. 6 screws (not included).

WIRING

⚠ WARNING

Electrical Shock Hazard.
Can cause severe injury, death or property damage.

Disconnect power supply before beginning wiring to prevent electrical shock or equipment damage. More than one disconnect may be involved.

1. Make sure wiring complies with all local codes and ordinances.
2. Check to make sure that line voltage wiring is properly connected. Refer to oil primary label and appliance wiring diagram for color codes.
3. After mounting make low voltage connections to the screw terminals (see Fig. 2 through 10).
4. Strip leads 3/8 in. (10 mm) and insert under terminal screw.
5. Connect thermostat leads to T-T (or 1, 2, 3 if EnviraCOM™ is present), if required by installation.

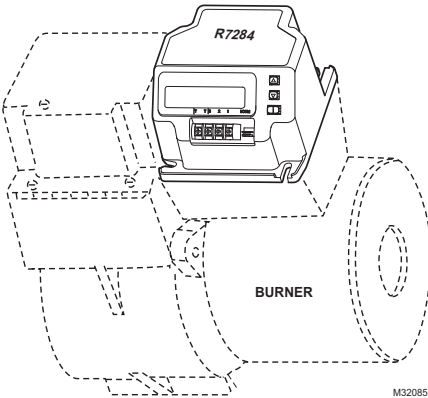


Fig. 1. Mounting R7284 on junction box.

CHECKOUT

Start System

⚠ WARNING

Fire or Explosion Hazard.
Can cause severe injury, death or property damage.

Make sure the combustion chamber is free of oil and/or oil vapor before starting system.

1. Open hand valve in oil supply line.
2. Make sure system is powered. Check circuit breaker or fuse and close system switch, if provided.
3. Set thermostat to call for heat.
4. Make sure burner lights and operates until call for heat ends. Note cad cell resistance while running.
5. Verify that burner turns off when thermostat call for heat is satisfied.

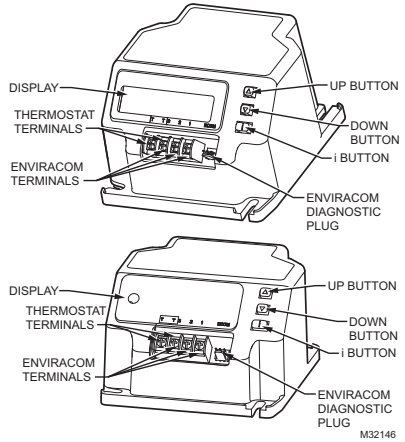


Fig. 2. R7284 terminals, connectors, LED, reset button and DIP switch locations.

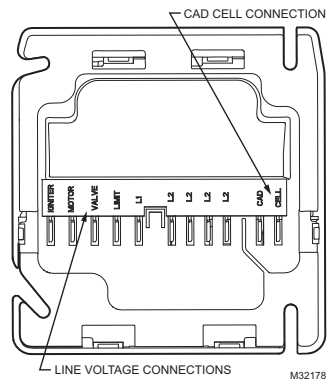


Fig. 3. R7284 wiring connections.

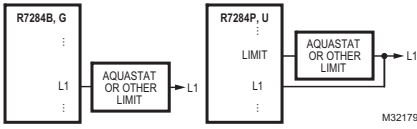


Fig. 4. R7284 Limit wiring for line voltage thermostat, Aquastat, or other Limit.

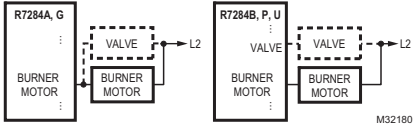


Fig. 5. R7284 wiring for optional oil valve.

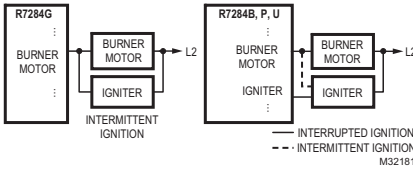
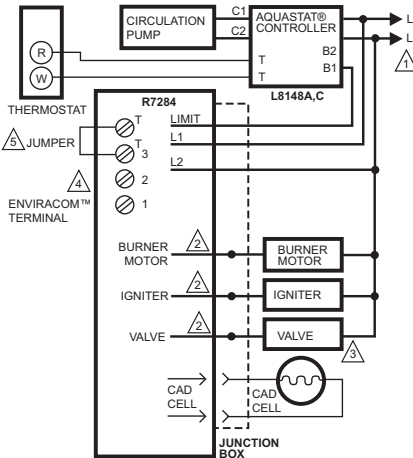


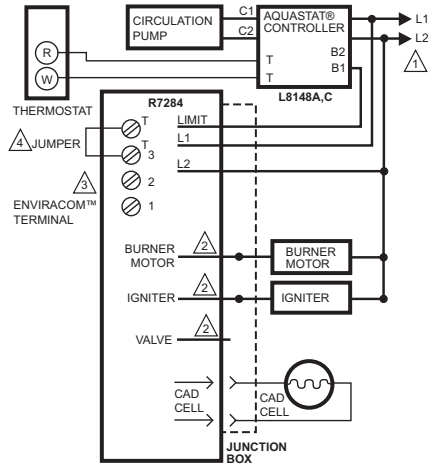
Fig. 6. R7284 igniter wiring.



LEGEND: ⊗ SCREW TERMINAL → 1/4 IN. QUICK CONNECT TERMINAL
● SOLDERLESS WIRE CONNECTOR

- ⚠ POWER SUPPLY. PROVIDE DISCONNECT MEANS AND OVERLOAD PROTECTION AS REQUIRED.
- ⚠ REFER TO DEVICE LABEL FOR WIRE COLOR CODE.
- ⚠ VALVE IS OPTIONAL ON SPECIFIC MODELS.
- ⚠ ENVIRACOM™ TERMINAL 3 IS ALSO THE FIRST THERMOSTAT TERMINAL.
- ⚠ THE JUMPER MAY BE OMITTED IF THE R7284 IS CONFIGURED TO IGNORE THE TT TERMINALS.

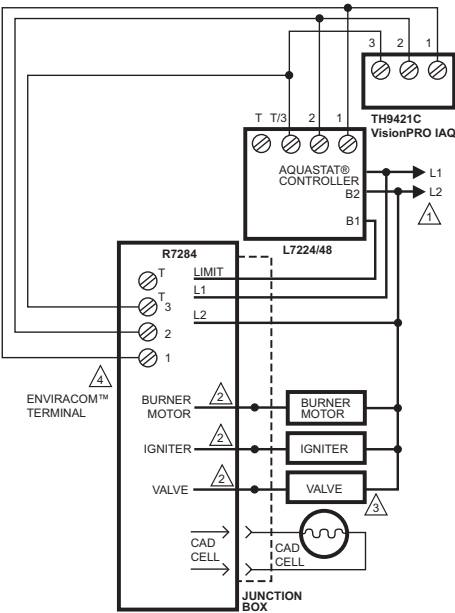
Fig. 7. Wiring R7284P,U without EnviraCOM™, for typical oil-fired boiler.



LEGEND: ⊗ SCREW TERMINAL → 1/4 IN. QUICK CONNECT TERMINAL
● SOLDERLESS WIRE CONNECTOR

- ⚠ POWER SUPPLY. PROVIDE DISCONNECT MEANS AND OVERLOAD PROTECTION AS REQUIRED.
- ⚠ REFER TO DEVICE LABEL FOR WIRE COLOR CODE.
- ⚠ ENVIRACOM™ TERMINAL 3 IS ALSO THE FIRST THERMOSTAT TERMINAL.
- ⚠ THE JUMPER MAY BE OMITTED IF THE R7284 IS CONFIGURED TO IGNORE THE TT TERMINALS.

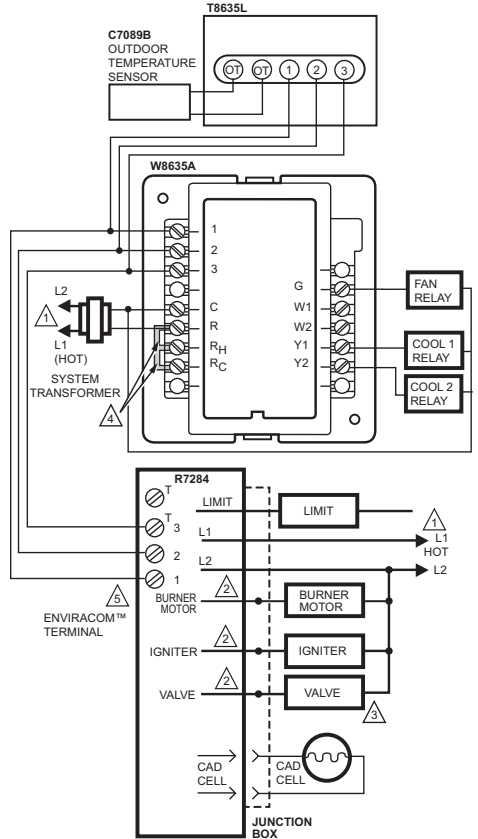
Fig. 8. Wiring R7284U without EnviraCOM™, for typical oil-fired boiler.



LEGEND: SCREW TERMINAL → 1/4 IN. QUICK CONNECT TERMINAL
● SOLDERLESS WIRE CONNECTOR

- POWER SUPPLY. PROVIDE DISCONNECT MEANS AND OVERLOAD PROTECTION AS REQUIRED.
- REFER TO DEVICE LABEL FOR WIRE COLOR CODE.
- VALVE IS OPTIONAL ON SPECIFIC MODELS.
- ENVIRACOM™ TERMINAL 3 IS ALSO THE FIRST THERMOSTAT TERMINAL. M32183

Fig. 9. Wiring R7284P,U with EnviraCOM™ connections, for typical oil-fired boiler.



LEGEND: SCREW TERMINAL → 1/4 IN. QUICK CONNECT TERMINAL
● SOLDERLESS WIRE CONNECTOR

- POWER SUPPLY. PROVIDE DISCONNECT MEANS AND OVERLOAD PROTECTION AS REQUIRED.
- REFER TO DEVICE LABEL FOR WIRE COLOR CODE.
- VALVE IS OPTIONAL ON SPECIFIC MODELS.
- FACTORY INSTALLER JUMPERS.
- ENVIRACOM™ TERMINAL 3 IS ALSO THE FIRST THERMOSTAT TERMINAL. M32184

Fig. 10. Typical wiring diagram for EnviraCOM™ enabled thermostat and R7284P,U for an oil-fired forced-air system.

IMPORTANT

System as shown in Fig. 10 is phase/polarity sensitive. Make sure all input power is in the same phase.

ADVANCED USER INTERFACE

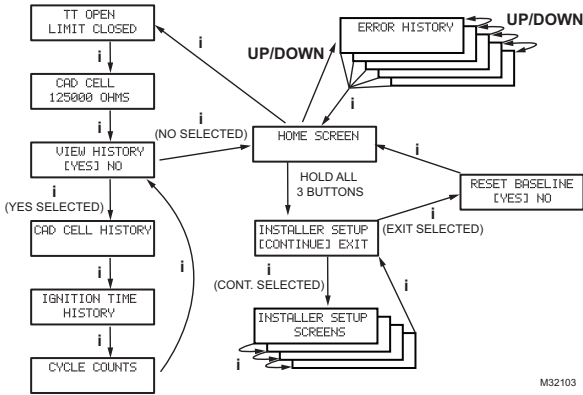


Fig. 11. User interface overview.

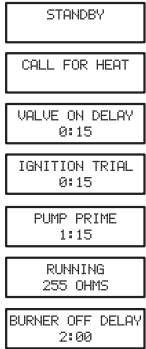
Home Screens

Pressing the “i” button longer than 2 seconds in states other than Standby Interrupts control operation.

Once the held key is released the count down begins.

- Holding all 3 buttons longer than 2 seconds in any state goes to Installer Setup (ISU).
- Pressing “i” in any state enters the Diagnostic screen (if diagnostics are enabled).
- Pressing up or down in any screen enters Error History (if diagnostics are enabled).

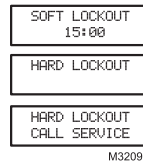
Below is a typical progression of screens through a normal cycle.



Pressing up or down during the Ignition Trial enters pump prime.

Each press of the up button adds a minute, each press of the down button subtracts a minute from the pump prime time.

If at any point there is an event generating a lockout, one of the following screens will be displayed.



Control is in Soft Lockout. Control will recover when error clears or after specified time.

Control is in Hard Lockout. Hold “i” for at least 2 seconds to reset.

Hold the “i” button longer than 10 seconds to return to Standby.

Installer Setup

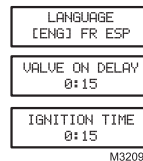
Installer setup is entered by pushing all three buttons simultaneously for 2 seconds.



If QUIT is selected, an “i” button press displays the Re-baseline option.

If CONT is selected, an “i” button press goes to “Installer Setup”.

NOTE: Not all parameters are adjustable in all models. Parameters not available for adjustment will display “Locked” when an attempt is made to modify them.



Select between English, French, or Spanish by using the up or down buttons and the “i” button to select

Adjustment of the Valve On Delay in five second increments.

Ignition (lockout) Time adjustment.

NOTE: The Ignition Time is only available for adjustment during the first 100 cycles of operation. After 100 cycles the Ignition Time is locked in and can no longer be adjusted.



M32101

Adjustment of the Burner Off Delay.

Configuration of the TT terminals vs. an "internal jumper."

Controls sparking during On Delay period.

Controls sparking during Run mode (Interrupted vs. Intermittent ignition).

Number of resets allowed before Restricted Lockout

Appliance configuration (boiler, furnace, water heater) for EnviraCOM™.

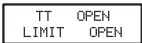
Enable advanced diagnostics mode and error history.

Exit installer setup

If "QUIT" is selected, the user is prompted with a screen asking if it is desired to re-baseline the control.

Baselining the control is intended as a means to save performance data at the time when the control is operating optimally. The baseline values are a "trend" of the first 500 cycles following an installation or a command to "re-baseline" and is provided as a method to compare present burner performance to that when the burner was initially installed or serviced. Using the baseline data, it is possible to monitor the burner system for degradation and allow a service person to address any issues before they result in a no-heat situation. After performing the service it may be desired to reset the baseline through the installer setup menu.

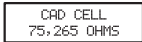
NOTE: Re-baselining will establish new baseline values for CAD cell and Ignition Time going forward. It will also reset the "Cycles Since Baseline", "Lockouts Since Baseline", and "Recycles Since Baseline" counters back to zero.



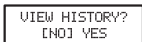
M32094

Displays the status of the TT and Limit inputs. Note that "TT Remote" means EnviraCOM™ is commanding the R7284 to behave opposite the status of the TT terminals.

Press "i" to go to the next screen



Current value of the CAD cell. Press "i" to go to the next screen



M32102

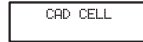
If NO is selected, "i" returns to the home screen

If YES is selected, "i" continues through diagnostic screens.

The history screens can provide useful information about the controls past performance, including its recent history such as cycle trends (using the baseline function) and total cycles since installation.

View History

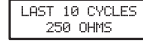
From the Diagnostic screen scroll to the View History screen and select YES. Scroll through the performance data by using the up or down buttons.



The CAD Cell screen automatically scrolls 4 screens.



Average CAD cell value during last cycle



CAD cell trend over the last 10 cycles.



CAD cell trend over the first 500 cycles

M32095

Pressing "i" during any of the CAD cell screens moves to the Ignition Time screens below.



The Ignition Time screen automatically scrolls through 4 screens.



Last Ignition Time.



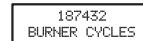
Ignition Time trend over the last 10 cycles. Ignition



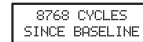
Time trend over the first 500 cycles.

M32096

Pressing "i" during any of the ignition time screens moves to the Cycle Count screen below.



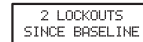
Total burner cycles.



Burner cycles since last service (baseline reset).



Flame losses since last service (baseline reset).



Ignition failures since last service (baseline reset).

M32097

The next press goes back to the View History screen where the user can exit to the home screen or loop back through the performance history again.

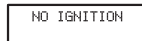
Error History Screens

For all Error History screens, pressing "i" returns to the Normal Screen.



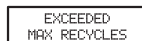
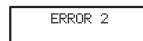
M32098

From the home screen, press the up button to display most recent error.



M32099

Press the up button again to proceed to the next most recent error or the down button to return to the previous error screen.



M32100

These three screens transition every 3 sec.

If no more errors are logged, the display shows "Error History End."

BASIC USER INTERFACE

The basic user interface consists of 3 buttons and an LED. Simple diagnostic information can be obtained through the interaction of the buttons and LED.

R7284 Status (Basic Interface)

Table 2. LED Codes.

Description	LED Code
Standby	Pulse (1/4 sec. ON, 4 sec OFF)
Call for Heat	Heartbeat (1/2 sec bright, 1/2 sec dim) *
Flame proven	On solid
Recycle	2 second ON, 2 second OFF flashing
Lockout	1/2 second on, 1/2 second OFF flashing
Interrupt	OFF
"I" button	Flame Strength Indication
Up button	Most recent error
Down button	Next most recent error

R7284 Flame Strength (Basic Interface)

During normal operation and when the R7284 is in the Running state, the LED will show CAD cell resistance. See Table 3.

Table 3. Flame Strength Indication.

Flame Strength Indication	Number of 1/2 sec flashes
Cad Cell less than 400Ω	1
400Ω < Cad Cell < 800Ω	2
800Ω < Cad Cell < 1600Ω	3
1600Ω < Cad Cell < 6100Ω	4
Cad Cell > 6100Ω	None

Error History (Basic Interface)

The last two errors are available for display on the LED:

- Pressing the up arrow button displays the most recent error.
- Pressing the down arrow button displays the next most recent error.

Once the up or down arrow is pushed, the LED will display the most recent or next most recent alarm by blinking the error code. See Table 4.

R7284 Error Codes (Basic Interface)

Table 4. Error Codes.

Error Codes	Number of 1/4 sec flashes
No ignition / Late ignition	1
Max flame losses / Cad Cell high while running	2
Flame out of sequence	3
Low Voltage / EnviraCOM™ error	4
Internal Error	5

TROUBLESHOOTING AND MAINTENANCE

IMPORTANT

Due to the potential hazard of line voltage, only a trained, experienced service technician should perform the troubleshooting procedures.

This control contains no field-serviceable parts. Do not attempt to take it apart. Replace entire control if operation is not as described.

To completely troubleshoot an oil burner installation, check the burner and oil primary control for proper operation and condition.

Cad Cell Resistance Check

For proper operation, it is important that the cad cell resistance is below 1600 ohms. On the basic model with LED interface, during a normal call for heat, once the control has entered the Run mode, press and release the "I" button.

On the advanced model with display, follow the screen diagnostic procedure to read the cad cell resistance.

Preliminary Steps

- Check wiring connections and power supply.
- Make sure power is on to controls.
- Make sure limit control is closed.
- Check contacts between igniter and the electrodes.
- Check the oil pump pressure.
- Check the piping to the oil tank.
- Check the oil nozzle, oil supply and oil filter.

Check Oil Primary Control

If the trouble is not in the burner or ignition hardware, check the oil primary control by using the following equipment:

- Screwdriver.
- Voltmeter (0 to 150 Vac range).
- Insulated jumper wire with both ends stripped.

WARNING

Electrical Shock Hazard.

Can cause severe injury, death or property damage.

Troubleshoot with the system powered. Be careful to observe all precautions to prevent electrical shock or equipment damage.

Table 5. R7284 Operation.

External Action	R7284 Action
Power applied to control.	Internal safety check conducted. If no light or flame is detected and all internal conditions are correct, control enters Standby Mode.
Thermostat or Aquastat® Control calls for heat.	<ol style="list-style-type: none"> 1. Safety Period (5 seconds) internal and external check for flame or light. If flame or light is detected, control remains in the Standby Mode. 2. When flame or light is not present: <ol style="list-style-type: none"> a. R7284G will apply power to the burner motor and igniter. b. R7284B,P,U (if valve-on delay is enabled) will apply power to the burner motor and igniter, (if configured) enter/complete valve-on delay period and then apply power to the valve. 3. Control enters Trial for Ignition period. <ol style="list-style-type: none"> a. Monitors burner for flame. b. When flame is not detected: <ol style="list-style-type: none"> (1) Enters lockout mode (after lockout time of 15, 30, or 45 seconds). (2) Shuts off valve, igniter and burner motor. (3) Display models: display Lockout mode. LED models: flash LED 1/2 sec ON, 1/2 sec OFF. (4) Depress "I" button for 2 seconds to return to power-up sequence. c. When flame is detected, Carry-Over period begins: 4. Control enters Ignition Carry-Over period (continues to spark for 10 seconds in interrupted mode). <ol style="list-style-type: none"> a. Display models: display "Flame Proven." LED models: turns on LED b. If flame is lost and lockout time has not expired, R7284 returns to Trial for Ignition period. c. If flame is lost and lockout time has expired, R7284 enters Recycle Mode. 5. Carry-Over time expires; igniter turns off if interrupted ignition. 6. Enters Run Mode: <ol style="list-style-type: none"> a. Flame is monitored until call for heat ends or flame is lost. If flame is lost: <ol style="list-style-type: none"> (1) Control enters Recycle Mode. (2) Recycle time starts (60 seconds). (3) Burner and valve are turned off. (4) Display models: display "Recycle." LED models: flash LED 2 sec ON, 2 sec OFF. (5) Returns to Idle Mode at end of Recycle Mode.
Call for heat is satisfied.	<ol style="list-style-type: none"> 1. R7284B,G,P,U (if burner motor-off delay is disabled): <ol style="list-style-type: none"> a. Burner motor and optionally oil valve and igniter shut off. b. Display models: display "Standby" LED models: LED turns OFF c. Indicator light turns off. 2. R7284P,U (if burner motor-off delay is enabled): <ol style="list-style-type: none"> a. Oil valve shuts off. b. Burner motor runs for selected burner motor-off delay time. c. Burner motor turns off. d. Device returns to Idle Mode.
Reset control three times without completing a call for heat (number of resets is adjustable in some controls)	<ol style="list-style-type: none"> 1. R7284 enters Restricted Mode. 2. Indicator light flashes and 1/2 second on, 1/2 second off. 3. Display models: display "Hard Lockout Call Service" LED models: flash LED 1/2 second ON, 1/2 second OFF 4. Reset device by pressing and holding reset button for a minimum of 10 seconds.

Table 6. Troubleshooting Information

Condition: Burner does not start with a call for heat		
Procedure	Control Status	Corrective Action
Review error history if control in lockout	--	Refer to Error Codes table of this section
Check that limit switches are closed	Display models: display shows status of limit switch.	Replace limit switch or clean contacts.
Check TT status	Display models: display shows status of TT.	<ul style="list-style-type: none"> Most hydronic systems require TT to be jumpered. Display models can be configured to behave as though the TT terminals are jumpered. LED models require a jumper be added. Warm air systems will short TT terminals during a call for heat. Check that TT is really shorted during the call for heat.
Check for line voltage power at R7284	--	Check breaker and investigate appliance wiring
Check status of cad cell	Display models: display shows cad cell resistance. LED models: LED is on if cad cell is too low to start.	<ul style="list-style-type: none"> Replace cad cell If operation does not resume, remove leadwires from R7284. If operation does not resume, replace control.
Condition: Burner does not stop when call for heat ends		
Procedure	Control Status	Corrective Action
Check TT status	Display models: display shows status of TT.	<ul style="list-style-type: none"> Check if a TT jumper is installed. Check if the R7284 is configured to ignore the TT terminals. Verify thermostat contacts have opened. There should be 24VAC across TT terminals when there is not call for heat.
Check limit status	Display models: display shows status of limit.	Measure voltage on Limit terminal. There should be no voltage between Limit and Neutral when the contacts are open. Replace limit switch if necessary.
Check if other EnviraCOM devices are commanding the R7284 to run	Display models: display shows "TT Remote" if an EnviraCOM device is commanding it to run.	Unplug all EnviraCOM devices from R7284. It should turn off within 5 minutes.

Table 7. Display Alarm Information

Display Alarm	EnviraCOM™ Alarm Number	Corrective Action
No Ignition, Check Igniter	10	<ul style="list-style-type: none"> The burner was not lit and spark was not detected. Check the electrodes, spring contacts (or high voltage wires), and ignition transformer for proper operation. If spark ignition is functioning acceptably, proceed to "No Ignition" corrective action.
No Ignition, Check Cad Cell	5	<ul style="list-style-type: none"> The cad cell detected some amount of light during the ignition trial, but not enough to enter run mode. Check the cad cell positioning and clean the eye. Set the display to show the cad cell resistance. Shield the cad cell from light. If the display shows is less than 20,000 ohms, unplug the cad cell. <ul style="list-style-type: none"> If the display does not read 999999 ohms, replace control If it does read 999999 ohms, replace cad cell. Expose the cad cell to ambient light (generally enough light to read by is adequate) If the display shows more than 2000 ohms, short the cad cell terminals. <ul style="list-style-type: none"> If the display shows more than 5 ohms, replace control If less than 5 ohms, replace cad cell. If the burner still does not light, proceed to "No Ignition" corrective action.

Table 7. Display Alarm Information

No Ignition	20	<ul style="list-style-type: none"> • Check that the manual shut off valve is open. • Check that the burner motor is spinning and the pump is generating adequate pressure. • Check the condition of the nozzle and replace if necessary. • If a valve is present, check for proper operation. • Check burner adjustments (refer to burner manufacturers instructions)
Low Voltage, XX% low	59	<ul style="list-style-type: none"> • Supply voltage is low to the control. • Measure the voltage across screw terminals “2” and “3” <ul style="list-style-type: none"> — If it's greater than 22VAC and the error does not clear, replace control. — If it's less than 22VAC, review appliance wiring.
Internal Error	18, 58	<ul style="list-style-type: none"> • An error has been detected inside the control. Replace control if the error persists.
Flame Proven, Out of Sequence	34	<ul style="list-style-type: none"> • The cad cell is permanently in a low resistance state. It should typically read much higher than 20,000 ohms when no flame is present. • Set the display to display cad cell resistance. • Shield the cad cell from light. • If the display shows less than 20,000 ohms, unplug the cad cell, <ul style="list-style-type: none"> — If display does not read 999999 ohms, replace control. — If it does read 999999 ohms, replace cad cell.
Flame Proven, During On Delay	23	<ul style="list-style-type: none"> • Flame was proven during the valve on delay period. Check the oil valve for proper operation. • If the system does not have an oil valve, set the valve on delay to 0.
Flame Proven, During Off Delay	24	<ul style="list-style-type: none"> • Flame remained lit during the burner off delay. Check the oil valve for proper operation. • If the system does not have an oil valve, set the burner off delay to 0.
Exceeded Max Recycles	22	<ul style="list-style-type: none"> • Flame was lost more than the allowed number of times. The burner lights, but does not remain lit. • Check that the fuel tank is not empty. • Check the fuel supply lines (and filter) for obstructions or air <ul style="list-style-type: none"> — Use the pump priming feature to purge the system of air • Check that the burner motor is spinning and the pump is generating adequate pressure. • If present, check operation of the oil valve. • If the problem persists, proceed to the “Cad Cell, High During Run” corrective action.
EnviraCOM™ Error	91	<ul style="list-style-type: none"> • Communications error has been detected. • Remove all devices from the EnviraCOM™ connections, 3-pin plug and screw terminals “1-2-3”. <ul style="list-style-type: none"> — If the error does not clear within one minute, measure the voltage on terminals “2” and “3”. — If the voltage across terminals “2” and “3” is between 20VAC and 30VAC, replace control. — If it is outside of that range, review appliance wiring. There should be approximately 24VAC across “2” and “3”.
Cad Cell, High During Run	4	<ul style="list-style-type: none"> • The cad cell resistance is higher than normal while running, the system is in need of a tune up. • Check for proper alignment of the cad cell and clean the eye if necessary. • Check if the pump is generating adequate pressure. • Check burner adjustments (refer to burner manufacturers instructions). • Check for excessive soot build up in the burner and flue. • Check for flue blockage.
Flame Proven, Late in Trial	9	<ul style="list-style-type: none"> • The burner lit very late during the trial for ignition and is susceptible to not lighting. • Check cad cell for proper alignment and clean if necessary. • Check burner adjustments (refer to burner manufacturers instructions) • Check electrodes and spring contacts (if equipped) and adjust per manufacturers recommendations. • Check if the pump is generating adequate pressure. • Check the fuel supply lines and filter for obstructions.

Table 8. LED Flash Codes.

LED Flash Code	EnviraCOM™ Alarm Number	Corrective Action
1	10,5,20,59,9	<p>The burner was not lit or lit near the end of the trial time.</p> <ul style="list-style-type: none"> • Check that the manual shut off valve is open. • Check that the burner motor is spinning and the pump is generating adequate pressure. • Check the condition of the nozzle and replace if necessary. • Check the fuel supply lines and filter for obstructions or air. • Check the electrodes, spring contacts (or high voltage wires), and ignition transformer for proper operation. • If a valve is present, check for proper operation. • Check burner adjustments (refer to burner manufacturers instructions) and spark was not detected. • Check the cad cell positioning and clean the eye. • Expose the cad cell to ambient light (generally enough light to read by is adequate) <ul style="list-style-type: none"> — If the LED does not turn on, short the cad cell terminals, — If the LED does not turn on, replace the control, — If the LED turns on, replace the cad cell. • Shield the cad cell from light. <ul style="list-style-type: none"> — If the LED does not turn off, unplug the cad cell, — If the LED does not turn off, replace the control, — If the LED turns off, replace the cad cell.
2	22,4	<p>Flame was lost more than the allowed number of times. The burner lights but does not remain lit, or the cad cell is unusually high during a run cycle.</p> <ul style="list-style-type: none"> • Check that the fuel tank is not empty. • Check the fuel supply lines (and filter) for obstructions or air use the pump priming feature to purge the system of air • Check for proper alignment of the cad cell and clean the eye if necessary. • Check the burner motor is spinning and the pump is generating adequate pressure. • If present, check operation of the oil valve. • Check burner adjustments (refer to burner manufacturers instructions). • Check for excessive soot build up in the burner and flue. • Check for flue blockage.
3	23,24,34	<p>Flame was detected out of sequence.</p> <ul style="list-style-type: none"> • Check the oil valve for proper operation (if equipped). • Expose the cad cell to ambient light (generally enough light to read by is adequate) <ul style="list-style-type: none"> — If the LED does not turn on, short the cad cell terminals, — If the LED does not turn on, replace the control, — If the LED turns on, replace the cad cell. • Shield the cad cell from light. <ul style="list-style-type: none"> — If the LED does not turn off, unplug the cad cell, — If the LED does not turn off, replace the control, — If the LED turns off, replace the cad cell.
4	59,91	<ul style="list-style-type: none"> • Supply voltage was low to the control or a communication error has occurred. • Remove all devices from the EnviraCOM™ connections, 3-pin plug and screw terminals "1-2-3". <ul style="list-style-type: none"> — Measure the voltage across screw terminals "2" and "3" <ul style="list-style-type: none"> — If it's between 22VAC and 30VAC and the error does not clear, replace control. — If it's outside that range, review appliance wiring. There should be approximately 24VAC across "2" and "3".
5	18, 58	<p>An error has been detected inside the control. Replace control if the error persists.</p>

Automation and Control Solutions

Honeywell International Inc.
 1985 Douglas Drive North
 Golden Valley, MN 55422

Honeywell Limited-Honeywell Limitée
 35 Dynamic Drive
 Toronto, Ontario M1V 4Z9
 customer.honeywell.com

