

# Combination Gas Controls

## VR8200 Continuous Pilot Dual Automatic Valve Combination Gas Controls



**Type:** Single Stage  
**Body Pattern:** Straight-through  
**Type of Gas:** Natural  
**Capacity:** 130,000 BTU/hr 1 in. PD; 20,000 BTU/hr minimum  
 200,000 BTU/hr maximum  
**Anticipator Setting:** 0.5 A  
**Ignition Type:** Standing Pilot  
**Pressure Ratings:** 1/2 psi (3.5 kPa)  
**Pressure Tapping:** 1/8 in. NPT with plug  
**Ambient Temperature Range:** 0 F to 175 F (-18 C to +79 C)  
**Electrical Ratings:** 24 Vac  
**Frequency:** 60 Hz  
**Pilot Gas Outlet:** Compression fitting for 1/4 in. OD tubing  
**Electrical Connections:** Combination screw and 1/4 in. male quick connects.  
**Mounting:** 0 to 90 degrees in any direction from the upright position of the gas control knob, including vertically.  
**Approvals**  
**Australian Gas Association:** 4717  
**CSA International:** 112395  
**Underwriters Laboratories, Inc:** UL Component Recognized  
 MCC22.MH5323.

### Combination gas controls for use in 24 Vac, gas-fired, standing pilot appliances with capacities from 20 to 200 cfh.

- Controls include manual valve, two automatic operators, servo pressure regulator and pilot adjustment.
- Compact size.
- Provide two automatic valves.
- Solenoid-operated first automatic valve opens on thermostat call for heat; closes when call for heat ends.
- Diaphragm-operated second automatic valve opens under control of regulator; closes if gas or power supply is interrupted.
- Meet codes requiring dual safety shutoff.
- Natural to LP and LP to Natural conversion kits available for standard and slow opening gas valves.
- LITE-RITE (OFF-PILOT-ON) lighting sequence.
- All adjustments, wiring connections and pilot outlet are accessible from top of control.
- Adjustable servo regulator effectively maintains almost constant gas output pressure under wide fluctuations in gas supply pressure.
- Compatible with ECO connector.

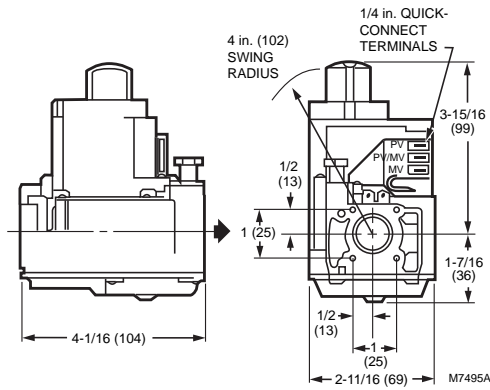
### Accessories:

- 390427A**-3/4 inch x 1/2 inch reducer bushing for valves
- 390427B**-1/2 inch x 3/8 inch reducer bushing for valves
- 390427E**-Two 3/4 in. NPT x 1/2 in. NPT reducer bushings
- 392877**-1/4 inch barbed vent fitting
- 393200-1**-ECO connector bag assembly, includes ECO adapter with 1/4 inch (6 mm) quick-connects
- 393690-4**-Flange Kit bag assembly, includes 3/4 in. straight flange, O-ring, and hex screws.
- 393690-13**-Flange Kit bag assembly, includes 1/2 inch angle flange, O-ring, 9/64 inch hex screws and 9/64 inch hex wrench
- 393690-15**-Flange Kit bag assembly, includes 3/4 inch angle flange, O-ring, 9/64 inch hex screws and 9/64 inch hex wrench
- 393691**-Single Stage Natural Gas to LP Conversion kit, including regulator spring, screw and cap
- 394588**-Single Stage LP to Natural Gas Conversion kit, including regulator spring, screw and cap
- 395253-1**-Single Stage Natural Conversion kit (5 in. wc to 7 in. wc adjustable).

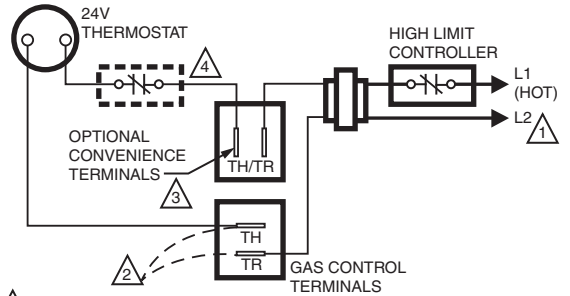
Product Number	Opening Characteristics (standard, step)	Inlet/Outlet Size (in.)	Pressure Regulator Setting		Includes
			(psi)	(kPa)	
VR8200A2124/U	Standard	1/2 in. x 1/2 in.	3.5 in. wc	0.87 kPa	One 3/4 in. straight flange; One 1/2 in. x 3/8 in. reducer bushing; Q340 Thermocouple; Natural to LP Conversion Kit
VR8200A2132/U	Standard	1/2 in. x 1/2 in.	3.5 in. wc	0.87 kPa	One 3/4 in. straight flange; One 1/2 in. x 3/8 in. reducer bushing; Natural to LP Conversion Kit
VR8200A2744/U	Standard	1/2 in. x 1/2 in.	3.5 in. wc	0.87 kPa	One 1/2 in. x 3/8 in. reducer bushing; One 3/4 in. straight flange with O-ring screws and wrench, Natural to LP gas conversion kit; One 3/4 in. angle flange
VR8200H1251/U	Slow Opening	1/2 in. x 1/2 in.	3.5 in. wc	0.87 kPa	One 3/4 in. straight flange; One 1/2 in. x 3/8 in. reducer bushing; Natural to LP Conversion Kit

# Combination Gas Controls

Dimensions in inches (millimeters)



Wiring connections for 24 volt control



- 1 POWER SUPPLY. PROVIDE DISCONNECT MEANS AND OVERLOAD PROTECTION AS REQUIRED.
- 2 DO NOT JUMPER THESE TERMINALS. THIS SHORTS VALVE COIL AND CAN BURN OUT ANTICIPATOR IN THERMOSTAT.
- 3 CONVENIENCE TERMINALS SERVE ONLY AS A TIE POINT. THEY ARE NOT INTERNALLY WIRED TO THE CONTROL CIRCUIT OR TO GROUND.
- 4 OPTIONAL HIGH LIMIT.

M2915C

Residential  
Combustion Controls