

T8775A,C The Digital Round™ Non-Programmable Thermostats

PRODUCT DATA



APPLICATION

The T8775A and T8775C Thermostats provide single-stage, non-programmable temperature control for 24 Vac systems with manual changeover from heat to cool.

The T8775A controls 2-wire heating-only systems.

The T8775C controls gas, oil or electric heating and cooling systems.

FEATURES

- Attractive styling complements any decor.
- Simple to use. Turn the dial to adjust the setpoint temperature.
- Large easy-to-read display. The temperature reading is easily seen from a distance.
- Backlit display. On-demand backlighting makes it easy to read the display in a dark room or hallway.
- No batteries required. The setpoint temperature is held permanently in memory in the event of a power failure.
- Powered through heating-cooling system controls.
- System and Fan switches on the T8775C model.
- Manual changeover from heat to cool on T8775C model.
- Easy installation and set up saves time and increases installer productivity.
- Easily configurable by the use of DIP switches.
- Fahrenheit or Celsius temperature display for added flexibility.
- Selectable heating cycle rates (1, 3, 6, 9 CPH) for a variety of applications.
- Cooling cycle rate is fixed at 3 CPH. This is the standard compressor setting.
- Minimum off-time for the compressor in the cooling mode. Protects and extends the life of the equipment.
- Decorative cover plate is available to cover marks on the wall or to mount the T8775 Thermostat to an electrical box.

Contents

Application	1
Features	1
Specifications	2
Ordering Information	2
Installation	3
Wiring	4
Customize Thermostat	5
Set System and Fan Switches	6
Checkout	7
Troubleshooting Guide	8



SPECIFICATIONS

IMPORTANT

The specifications given in this publication do not include normal manufacturing tolerances; therefore, an individual unit might not exactly match the listed specifications. Also, this product is tested and calibrated under closely controlled conditions, and some minor differences in performance can be expected if those conditions are changed.

Models: T8775A and T8775C TRADELINE® models include a thermostat, wallplate for mounting and wiring, mounting hardware, 4074FAB resistor, installation instructions and an owner's guide.

Electrical Ratings:

24 Vac nominal: 18 Vac to 30 Vac, 60Hz.
 Heating: .02 to 1.5 A run; 3.5A inrush.
 Cooling: .02 to 1.5 A run; 6.0 A inrush.
 Fan: .02 to 0.5 A run; 2.5A inrush.

Temperature Ratings:

Setting Range:
 40°F to 90°F (4.5°C to 32.0°C) in heating.
 45°F to 99°F (7.0°C to 37.0°C) in cooling.

Ambient Range:
 40°F to 110°F (4.4°C to 43.3°C).
 Shipping Temperature Range:
 -20°F to 120°F (-28.9°C to 48.9°C).

Humidity Ratings: 5% to 90% RH, non-condensing.

Mounting Hardware:

Sheet metal screws: Two 1-in. (25 mm) 4-24, type AB.
 Drywall anchors: Two conical anchors, 3/16 in. (5 mm) diameter by ¾ in. (19 mm) length.

4074 FAB Resistor:

1 Kohm, 3 Watts.
 Installation Instructions packed with resistor.

Batteries: Not required.

Finish: Premier White®.

Accessories:

50000066-001 Decorative Cover Plate. Used to cover wall marks, or to mount T8775 Thermostat to an electrical box.
 32007680-001 Cover Ring.

Dimensions: See Fig. 1.

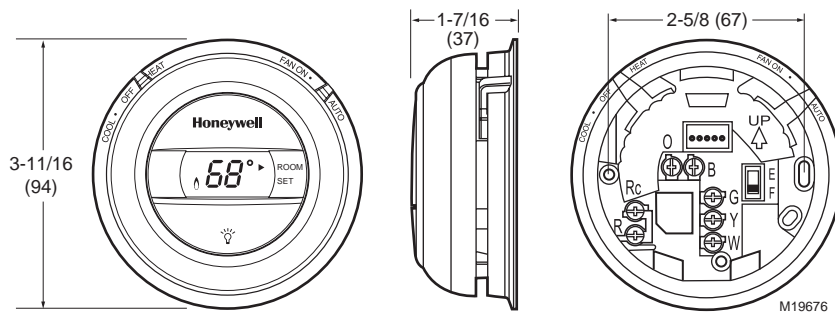


Fig. 1. T8775 Thermostat dimensions in in. (mm).

ORDERING INFORMATION

When purchasing replacement and modernization products from your TRADELINE® wholesaler or distributor, refer to the TRADELINE® Catalog or price sheets for complete ordering number.

If you have additional questions, need further information, or would like to comment on our products or services, please write or phone:

1. Your local Honeywell Automation and Control Products Sales Office (check white pages of your phone directory).
2. Honeywell Customer Care
 1885 Douglas Drive North
 Minneapolis, Minnesota 55422-4386

In Canada—Honeywell Limited/Honeywell Limitée, 35 Dynamic Drive, Scarborough, Ontario M1V 4Z9.

International Sales and Service Offices in all principal cities of the world. Manufacturing in Australia, Canada, Finland, France, Germany, Japan, Mexico, Netherlands, Spain, Taiwan, United Kingdom, U.S.A.