

Honeywell

PROTECTORELAY OIL BURNER CONTROLS

THE R8184M PROTECTORELAY OIL BURNER CONTROL OPERATES THE OIL BURNER AND OIL VALVE (IF DESIRED) IN RESPONSE TO A CALL FOR HEAT FROM A LOW VOLTAGE CONTROL CIRCUIT.

- Provides intermittent ignition.
- Used with a C554A Cadmium Sulfide Cell and 24 Vac thermostat.
- Integral 24 Vac transformer powers low voltage control circuit.
- Solid state flame sensing circuit.
- Enclosed safety switch with external red reset button. Safety switch must be manually reset after safety shutdown.
- 45 second safety switch timing.
- Exposed terminal strip with screw terminals for low voltage connections. Y and G terminals are tie points for cooling circuit connections.
- Color-coded leadwires for line voltage connections.
- Mounts in any position on a standard 4 x 4 inch junction box or directly on burner housing.



R8184M

SPECIFICATIONS

IMPORTANT

THE SPECIFICATIONS GIVEN IN THIS PUBLICATION DO NOT INCLUDE NORMAL MANUFACTURING TOLERANCES. THEREFORE, UNITS MAY NOT MATCH THE LISTED SPECIFICATIONS EXACTLY. ALSO, PRODUCTS ARE TESTED AND CALIBRATED UNDER CLOSELY CONTROLLED CONDITIONS, AND SOME MINOR DIFFERENCES IN PERFORMANCE CAN BE EXPECTED IF THOSE CONDITIONS ARE CHANGED.

TRADELINE MODELS

TRADELINE models are selected and packaged for ease of handling, ease of stocking, and maximum replacement value. TRADELINE model specifications are the same as those of standard models, except as noted.

TRADELINE MODELS:
R8184M Protectorelay Oil Primary Control

TRADELINE FEATURES:

MANUAL TRIP SAFETY SWITCH LEVER: Tradeline models include a lever to manually trip the safety switch.
LOCKOUT INDICATOR LIGHT: Tradeline models include a light emitting diode (LED) on the terminal strip that lights to indicate when the oil primary control has locked out on safety.

STANDARD MODELS

MODELS:

R8184M Protectorelay Oil Primary Control

ELECTRICAL RATINGS:

Transformer: 40 VA
Primary Voltage: 120V, 60 Hz.
Secondary Voltage: 26.5V, 60 Hz.
Load Relay Contacts:
Full Load: 7.4A.
Locked Rotor: 44.4A.
Ignition Rating: 360 VA (in addition to the load relay rating)
Power Consumption:
Start: 9.0A
Running: 6.5A

SAFETY SWITCH TIMING: 45 seconds.

IGNITION SEQUENCE: All models provide intermittent ignition. Ignition is on whenever the burner is on.

THERMOSTAT HEAT ANTICIPATOR SETTING: Models available for 0.2A thermostat heat anticipator setting.

AMBIENT TEMPERATURE RANGE: -40° F to 130° F [-40° C to 54° C].

MOUNTING: Mounts on a standard 4 x 4 inch junction box.

DIMENSIONS: Refer to Figs. 1 and 2.

FLAME DETECTOR (order separately): C554A Cadmium Sulfide Cell.

APPROVALS:

UNDERWRITERS LABORATORIES INCORPORATED COMPONENT RECOGNIZED: File Number MP268, Guide Number MCCZ2.

ORDERING INFORMATION

FOR ORDERING INFORMATION WHEN PURCHASING REPLACEMENT AND MODERNIZATION PRODUCTS FROM YOUR TRADELINE WHOLESALER OR YOUR DISTRIBUTOR, REFER TO THE TRADELINE CATALOG OR PRICE SHEETS FOR COMPLETE ORDERING NUMBER, OR SPECIFY:

1. Order number. Tradeline if desired.
2. Heat anticipator setting.

IF YOU HAVE ADDITIONAL QUESTIONS, NEED FURTHER INFORMATION, OR WANT TO COMMENT ON OUR PRODUCTS OR SERVICES, PLEASE WRITE OR PHONE:

1. YOUR LOCAL HONEYWELL RESIDENTIAL AND BUILDING CONTROLS SALES OFFICE (CHECK WHITE PAGES OF PHONE DIRECTORY).
2. RESIDENTIAL AND BUILDING CONTROLS CUSTOMER SATISFACTION
HONEYWELL INC., 1885 DOUGLAS DRIVE NORTH
MINNEAPOLIS, MINNESOTA 55422
(612) 542-7500

IN CANADA: HONEYWELL CONTROLS LIMITED
740 ELLESMERE ROAD
SCARBOROUGH, ONTARIO M1P 2V9

INTERNATIONAL SALES AND SERVICE OFFICES IN ALL PRINCIPAL CITIES OF THE WORLD.

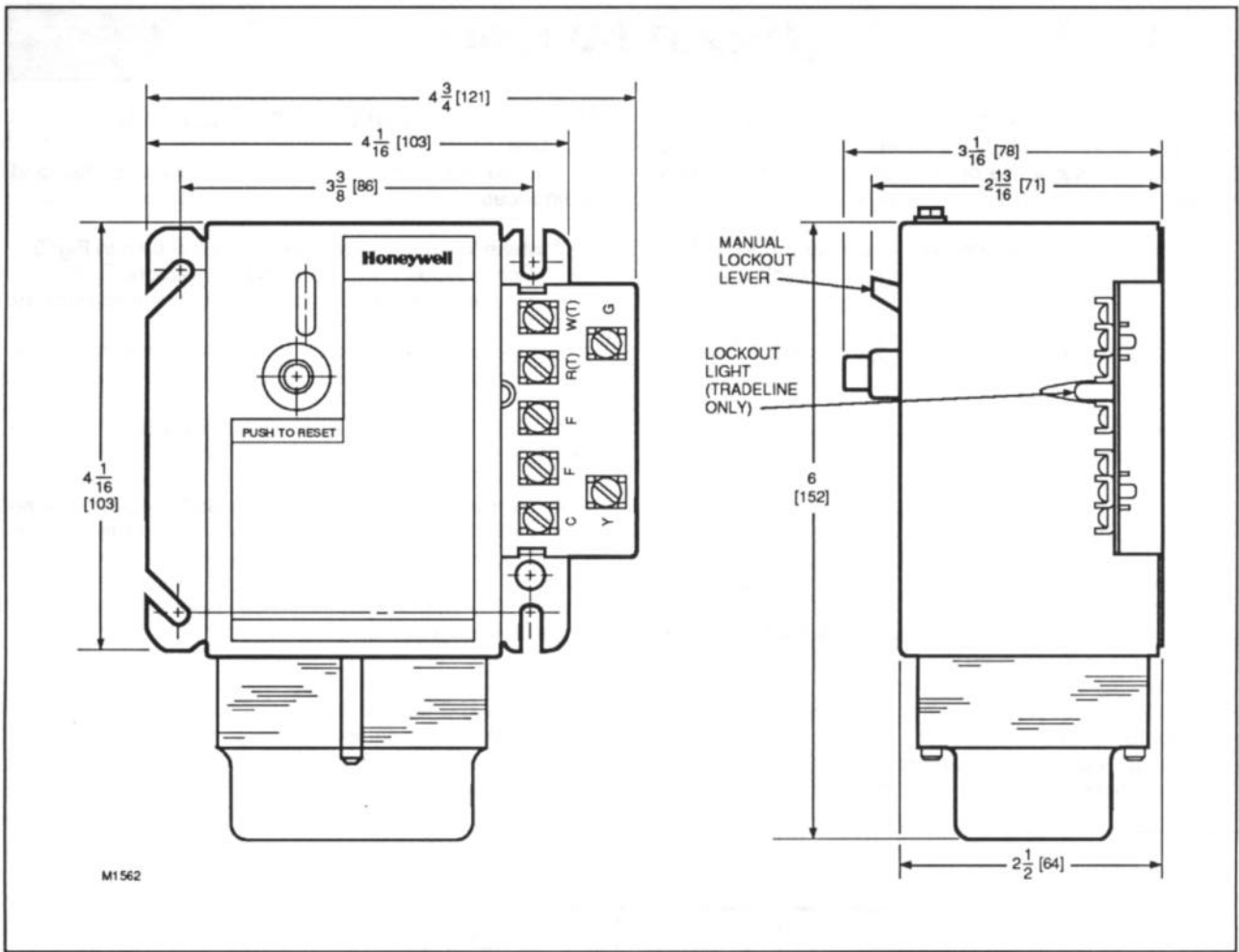


FIG. 1—R8184M MOUNTING DIMENSIONS IN INCHES AND [MILLIMETERS].

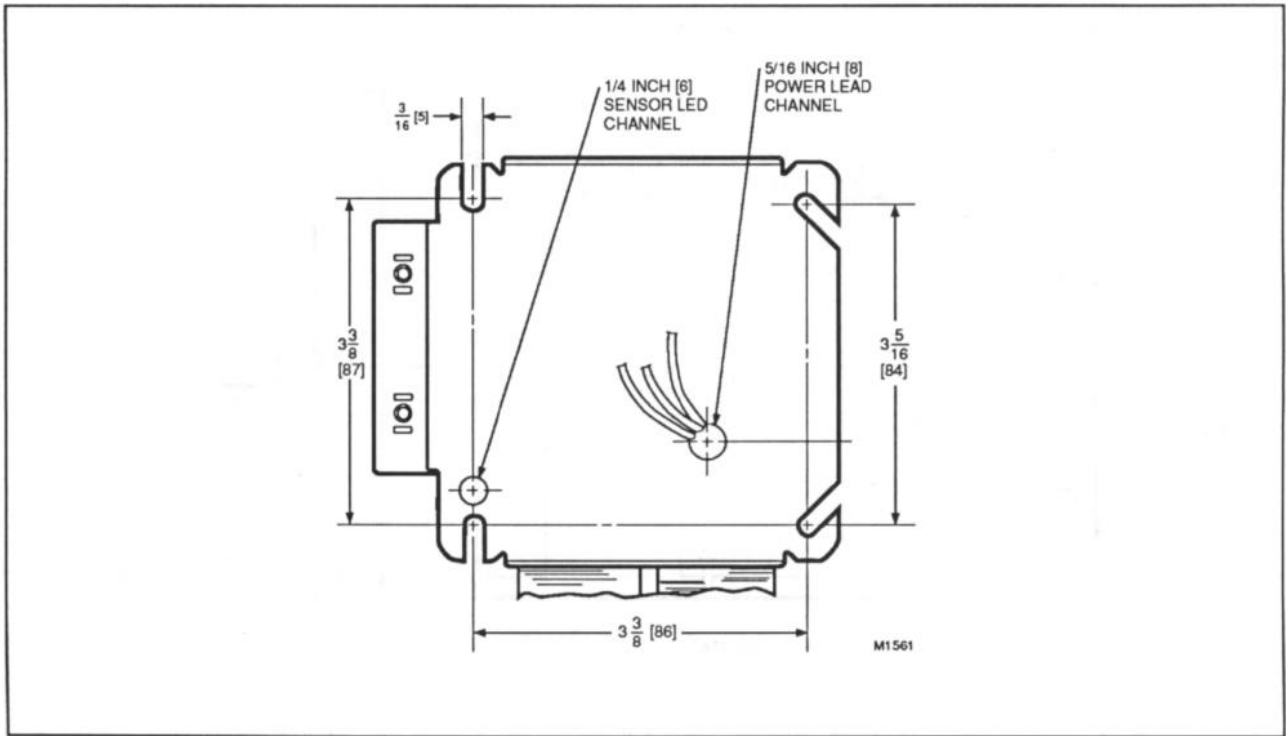


FIG. 2—R8184M MOUNTING PLATE IN INCHES AND [MILLIMETERS].