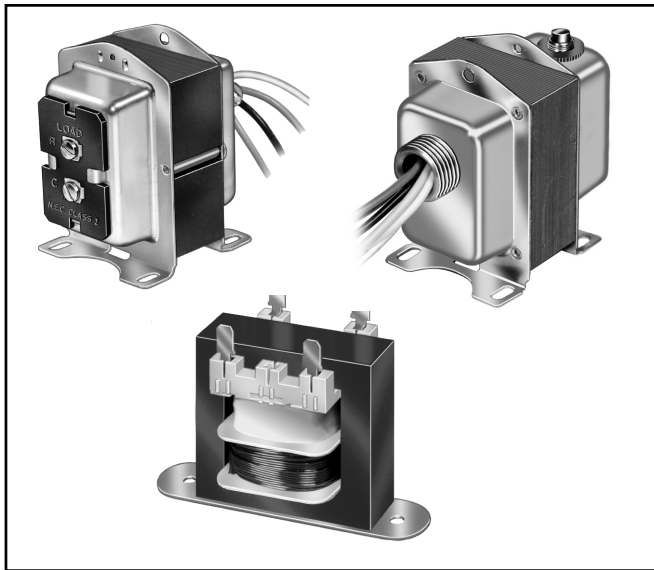


AT120A-E; AT140A-E; AT150A,B,D-F; AT160B; AT175A-D,F Transformers

PRODUCT DATA



FEATURES

- AT120 is rated at 20 VA.
- AT140 is rated at 40 VA.
- AT150 is rated at 50 VA.
- AT160 is rated at 60 VA.
- AT175 is rated at 75 VA.
- All models meet National Electrical Code Class 2 not wet, Class 3 wet transformer requirements.
- All models conform to Underwriters Laboratories Inc. Standard UL 1585.
- Color-coded leadwires for primary connections and screw terminals for secondary connections, fixed 1/4 inch (6 mm) male quick-connects or color-coded leadwires for both primary and secondary, are standard.
- Models available with stripped leadwires, leadwires with variety of terminals, or special terminations as required on both primary and secondary.
- Mounting options include clamp mounting on outlet box knockout, plate mounting, foot mounting, panel mounting, conduit/panel and a combination.
- Models available for 120V, 240V, 277V, 480V, 120/240V, 208/240V, 277/480V, 120/208/240V, 208/240/480V, or 208/277/480V supply at 60 Hz.
- “F” models include a button for manually resetting the circuit breaker.

APPLICATION

These general purpose transformers provide power to 24 Vac circuits. They are typically used in heating/cooling control systems, but can be used in any application that doesn't exceed the load ratings.

Contents

Application	1
Features	1
Specifications	2
Ordering Information	2
Installation	8
Checkout	11



SPECIFICATIONS

IMPORTANT

The specifications given in this publication do not include normal manufacturing tolerances. Therefore, a sample unit may not match the listed specifications exactly. Also, this product is built and tested under closely controlled conditions, and some minor differences in performance can be expected if those conditions are changed.

TRADELINE® Models

TRADELINE models are selected and packaged to provide ease of stocking, ease of handling, and maximum

replacement value. TRADELINE model specifications are the same as those of standard models except as noted below.

TRADELINE Models Available:

AT150F Transformers with circuit breaker reset button; 50 VA.
AT175F Transformers with circuit breaker reset button; 75 VA.

Models:

AT120A-E; AT140A-E; AT150A,B,D-F; AT160B; AT175A-D,F.

Electrical Ratings:

See Table 1.

Table 1. Electrical Ratings.

Model Number	Output Rating at 100 Percent Power Factor ^a	Primary Input Voltage (60 Hz)	Secondary Output Voltage	
			Open Circuit	At Rated Power Output
AT120	20 VA	120, 240, 277, 480, 120/240, 208/240, 240/277, 277/480, 120/208/240, 208/240/480, or 208/277/480V	27.0	24.0
AT140	40 VA			
AT150	50 VA		27.5 ^b	
AT160	60 VA			
AT175	75 VA			

^aRefer to regulation curves.

^bVoltage is 27.0V on AT150F and AT175F models.

Wiring Connections:

“A”, “C”, and “D” models: Primary—9 inch (230 mm) leadwires; Secondary—screw terminals.
“B” and “E” models: Primary—9 inch (230 mm) leadwires or fixed 1/4 inch (6 mm) quick-connects. Different length leadwires and leadwires with stripped ends or with terminals attached also available. Specify when ordering.

Secondary—9 inch (230 mm) leadwires or fixed 1/4 inch (6 mm) quick-connects. Different length leadwires, leadwires with stripped ends or with terminals attached, and screw terminals also available. Specify when ordering.
“F” models: Primary and Secondary—9 inch (230 mm) leadwires.

ORDERING INFORMATION

When purchasing replacement and modernization products from your TRADELINE® wholesaler or distributor, refer to the TRADELINE® Catalog or price sheets for complete ordering number, or specify—

1. Order number; TRADELINE, if desired.
2. Primary voltage capability desired.
3. Wiring connections desired.
4. Optional specifications, if desired.

If you have additional questions, need further information, or would like to comment on our products or services, please write or phone:

1. Your local Home and Building Control Sales Office (check white pages of your phone directory).
2. Home and Building Control Customer Relations
Honeywell, 1885 Douglas Drive North
Minneapolis, Minnesota 55422-4386

In Canada—Honeywell Limited/Honeywell Limitée, 35 Dynamic Drive, Scarborough, Ontario M1V 4Z9.
International Sales and Service Offices in all principal cities of the world. Manufacturing in Australia, Canada, Finland, France, Germany, Japan, Mexico, Netherlands, Spain, Taiwan, United Kingdom, U.S.A.

Mounting Means:

Model Suffix Letter	Mounting Means
A	Includes clamp for outlet box knockout, 4 x 4 inch mounting plate for 2 x 4 inch or 4 x 4 inch outlet box, and mounting feet for surface mount.
B	Foot-mounted.
C	Includes clamp for outlet box knockout.
D	Integral 4 x 4 inch mounting plate fits 2 x 4 inch or 4 x 4 inch outlet box.
E	Panel mounted with two No. 8 screws (not included).
F	Includes 1/2-14 NPSM conduit connector and lock nut for mounting on plate or panel (not included) with 7/8 in. knockout, and mounting feet for surface mount.

Dimensions:

See Fig. 1 through 5.

All models conform to Underwriters Laboratories Inc. Standard UL 1585.

NATIONAL ELECTRICAL CODE: Class 2 not wet, Class 3 wet.

Regulation:

See transformer regulation curves, Fig. 6 through 10.

Optional Specifications:

End bells or caps on "B" through "E" models.

Terminations on "B" through "E" models.

Circuit breaker reset button on "F" models.

Overcurrent Protection:

Inherent on AT120, AT140, and AT150. Thermal fusible link on AT160 and AT175. Circuit breaker on AT150F and AT175F models.

National Electrical Code:

Class 2 not wet, Class 3 wet

Approvals:

UNDERWRITERS LABORATORIES INC. LISTED ("A", "C" and "F" models): File No. E14881, Guide No. XOKV.

UNDERWRITERS LABORATORIES INC. COMPONENT RECOGNIZED ("B," "D," "E" models): File No. E14881, Guide No. XOKV2.

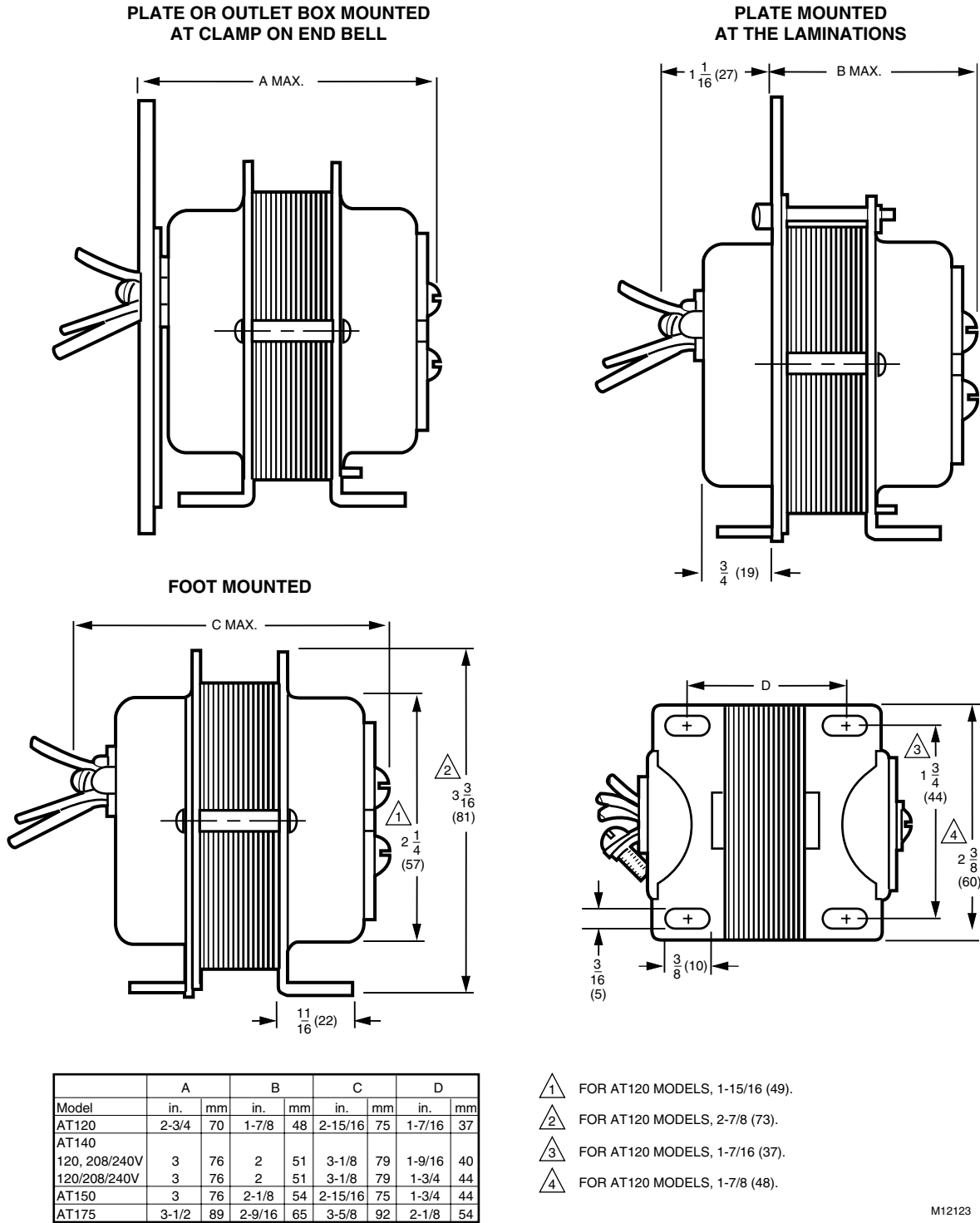
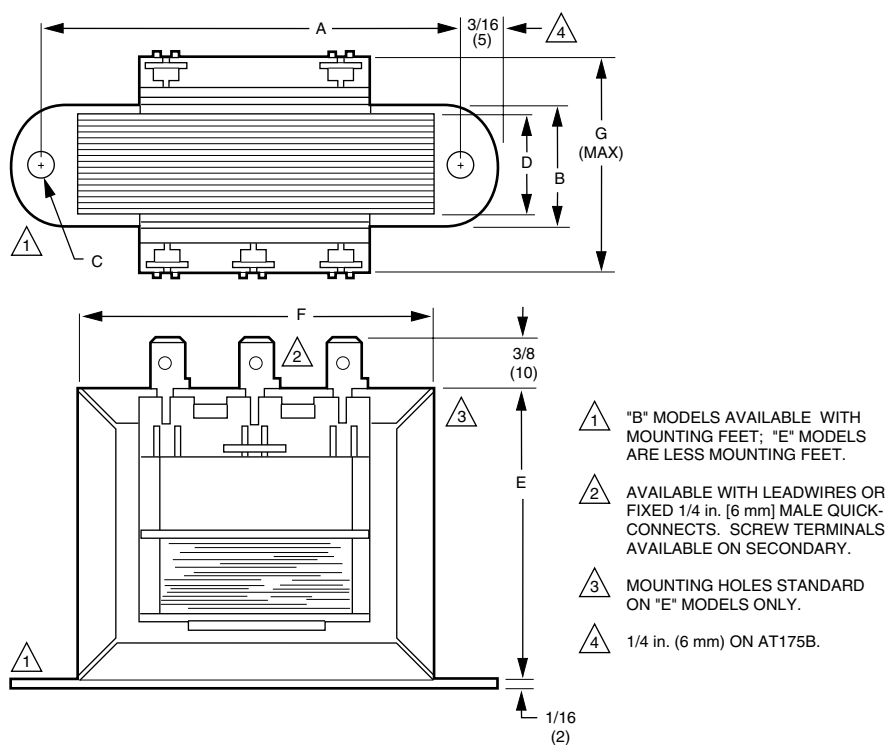


Fig. 1. "A" model transformer dimensions in in. (mm).

M12123



Model	A		B		C		D		E		F		G	
	in.	mm	in.	mm	in.	mm	in.	mm	in.	mm	in.	mm	in.	mm
AT120	2-13/16	71	1	25	3/16	5	15/16	24	1-5/8	41	1-7/8	48	1-3/4	44
AT140	3-1/8	79	7/8	22	3/16	5	13/16	21	2-1/4	57	2-9/16	65	1-11/16	42
AT150	3-1/8	79	7/8	22	7/32	6	7/8	22	2-1/4	57	2-9/16	65	1-3/4	44
AT160	3-1/8	86	1-3/8	35	7/32	6	1-1/4	32	2-1/4	57	2-9/16	65	2-1/4	57
AT175	3-1/8	86	1-3/8	35	7/32	6	1-7/16	37	2-1/4	57	2-9/16	65	2-1/4	57

M12107

Fig. 2. "B" and "E" model transformer dimensions in in. (mm).

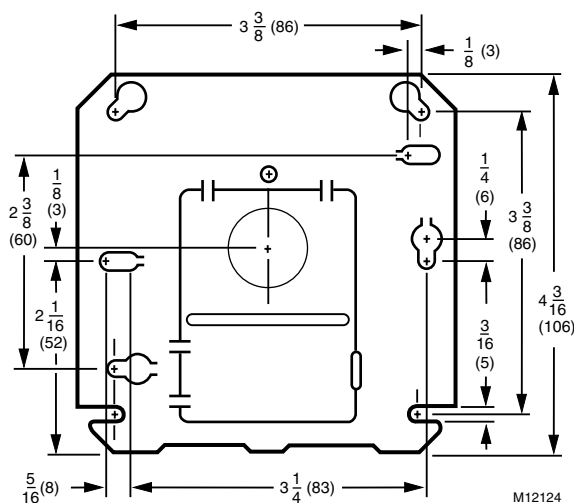
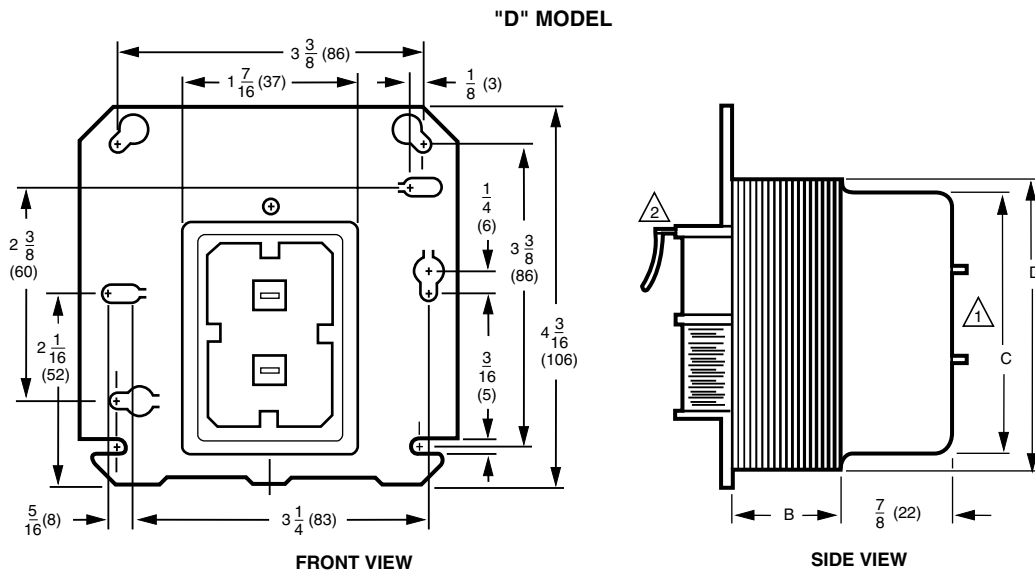
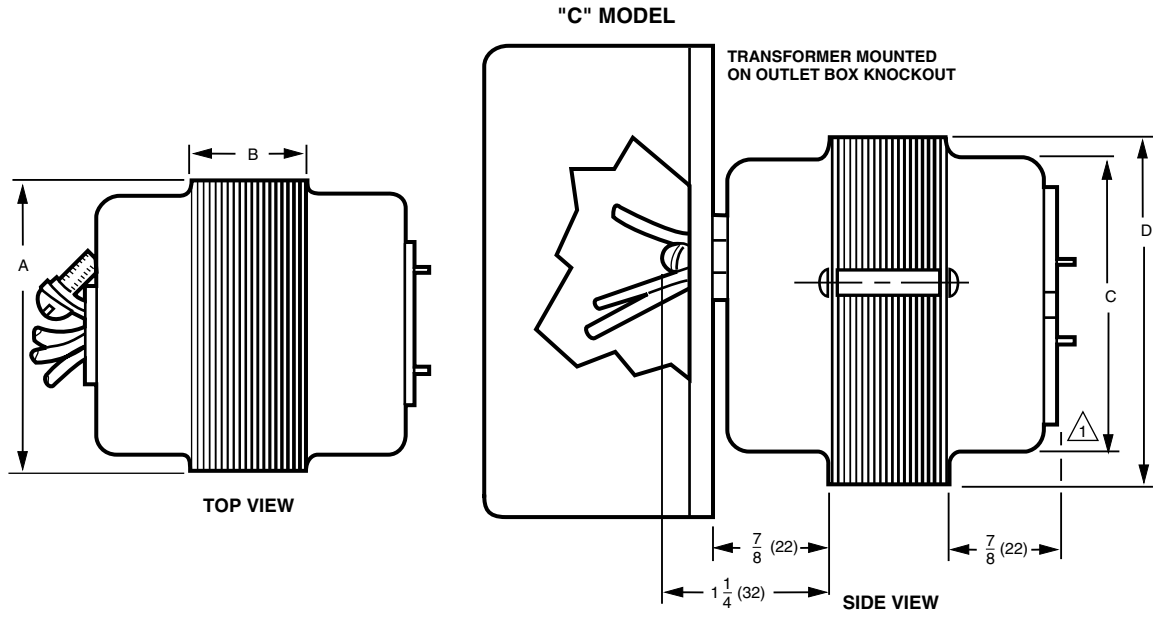


Fig. 3. Mounting plate dimensions in in. (mm). Mounting plate is shipped with "A" model transformers and attached on "D" model transformers.



Model	A		B		C		D	
	in.	mm	in.	mm	in.	mm	in.	mm
AT120	1-7/8	48	13/16	21	1-15/16	49	2-1/4	57
AT140	2-1/4	57	1-1/16	27	2-1/4	57	2-5/8	67
AT150	2-1/4	57	1-1/16	27	2-1/4	57	2-5/8	67
AT175	2-1/4	57	1-1/2	38	2-1/4	57	2-5/8	67

△1 SECONDARY AVAILABLE WITH LEADWIRES, FIXED 1/4 in. (6 mm) MALE QUICK CONNECTS, OR SCREW TERMINALS.

△2 PRIMARY ON "D" MODELS AVAILABLE WITH LEADWIRES OR FIXED 1/4 in. (6 mm) MALE QUICK CONNECTS.

M12122

Fig. 4. "C" and "D" model transformer dimensions in in. (mm).

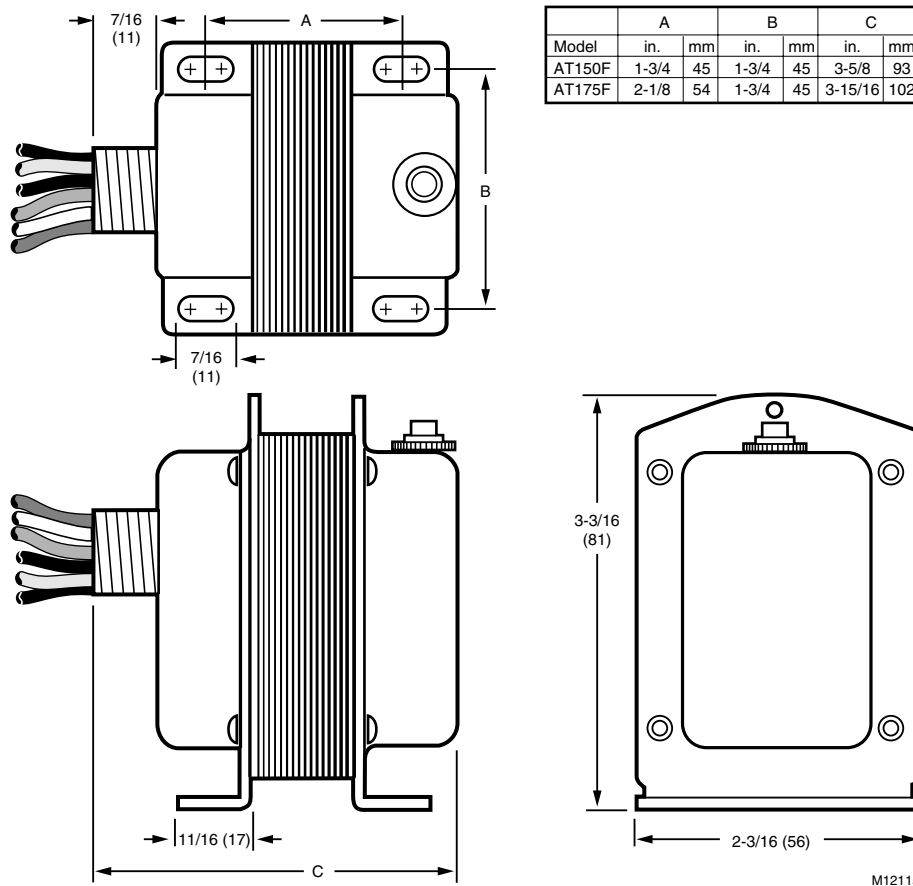


Fig. 5. "F" model transformer dimensions in in. (mm).

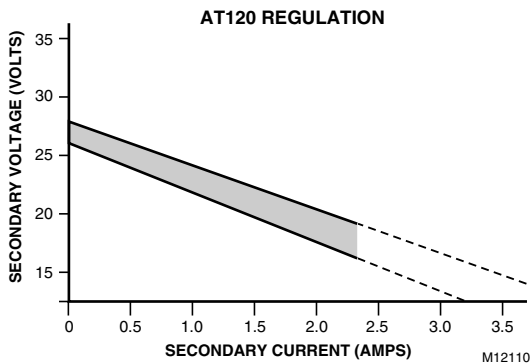


Fig. 6. AT120 regulation curve.

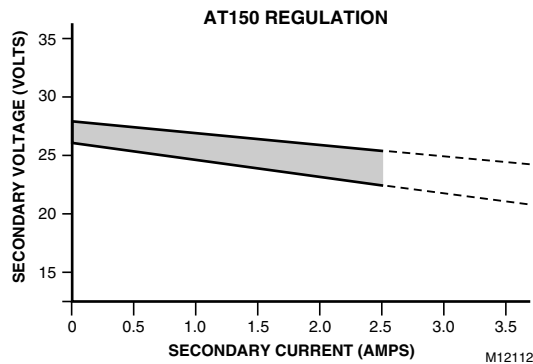


Fig. 8. AT150 regulation curve.

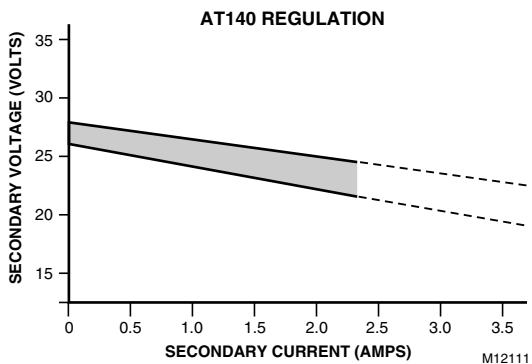


Fig. 7. AT140 regulation curve.

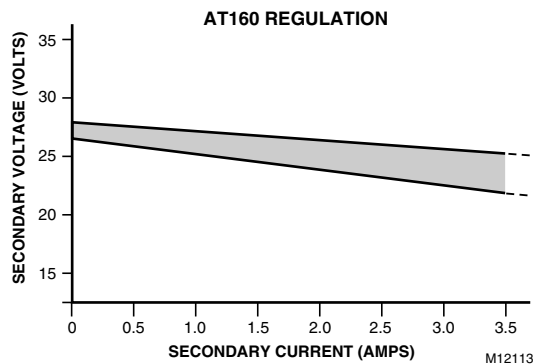


Fig. 9. AT160 regulation curve.