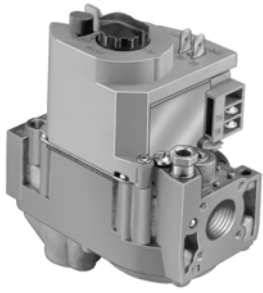
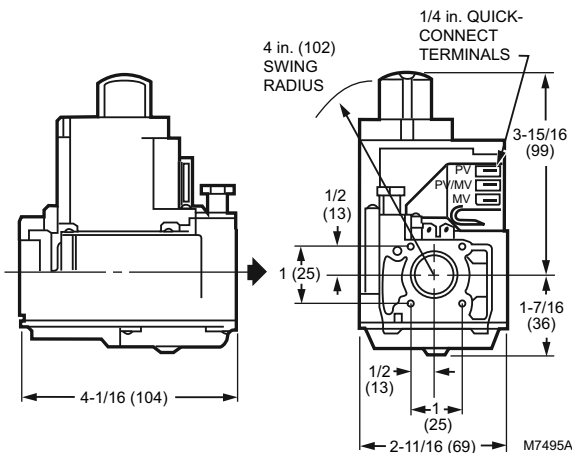


VR8200 Continuous Pilot Dual Automatic Valve Combination Gas Controls



Combination gas controls for use in 24 Vac, gas-fired, standing pilot appliances with capacities from 20 to 200 cfh. Dimensions in inches (millimeters)



- Controls include manual valve, two automatic operators, servo pressure regulator and pilot adjustment.
- Compact size.
- Provide two automatic valves.
- Solenoid-operated first automatic valve opens on thermostat call for heat; closes when call for heat ends.
- Diaphragm-operated second automatic valve opens under control of regulator; closes if gas or power supply is interrupted.
- Meet codes requiring dual safety shutoff.
- Standard and slow opening natural gas models include natural to LP gas conversion kit; LP to natural gas conversion kit also available.
- LITE-RITE (OFF-PILOT-ON) lighting sequence.
- All adjustments, wiring connections and pilot outlet are accessible from top of control.
- Adjustable servo regulator effectively maintains almost constant gas output pressure under wide fluctuations in gas supply pressure.
- Compatible with ECO connector.

Residential
Combustion Controls

Type: Single Stage
Dimensions, Approximate: 5 3/16 in high x 4 1/8 in. wide x 3 1/4 in. deep (132 mm high x 104 mm wide x 83 mm deep)
Body Pattern: Straight-through
Capacity @ 1 in. p.d. 130,000 BTU/hr; 20,000 BTU/hr minimum
Anticipator Setting: 0.5 A
Ignition Type: Standing Pilot
Pressure Ratings: 1/2 psi (3.5 kPa)
Pressure Tapping: 1/8 in. NPT with plug
Electrical Ratings: 24 Vac
Frequency: 60 Hz
Pilot Gas Outlet: Compression fitting for 1/4 in. OD tubing

Electrical Connections: Combination screw and 1/4 in. male quick connects.
Mounting: 0 to 90 degrees in any direction from the upright position of the gas control knob, including vertically.
Approvals:
American Gas Association: AGA Design Certificate: L2025006
Australian Gas Association: Australian Gas Assoc. Design Certificate: 4214; Approved for Delta C Applications
Canadian Gas Association: CGA Design Certificate: L2025006
Underwriters Laboratories Inc. UL Component Recognized: MH5323

Product Number	Type of Gas	Opening Characteristics (standard, step)	Inlet/Outlet Size (in.)	Pressure Regulator Setting		Ambient Temperature Range		Includes
				(psi)	(kPa)	(F)	(C)	
• VR8200A2124	Natural	Standard	1/2 in. x 1/2 in.	3.5 in. wc	0.87 kPa	0 F to 175 F	-18 C to +79 C	One 3/4 in. straight flange; One 1/2 in. x 3/8 in. reducer bushing; Q340 Thermocouple; Natural to LP Conversion Kit
* VR8200A2132	Natural	Standard	1/2 in. x 1/2 in.	3.5 in. wc	0.87 kPa	0 F to 175 F	-18 C to +79 C	One 3/4 in. straight flange; One 1/2 in. x 3/8 in. reducer bushing; Natural to LP Conversion Kit
* VR8200H1251	Natural	Slow Opening	1/2 in. x 1/2 in.	3.5 in. wc	0.87 kPa	0 F to 175 F	-18 C to +79 C	One 3/4 in. straight flange; One 1/2 in. x 3/8 in. reducer bushing; Natural to LP Conversion Kit

* TRADELINE models • SUPER TRADELINE models