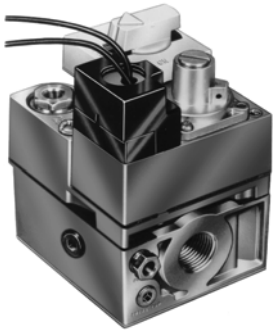


Combination Gas Controls

V400 Line Voltage; V800 Low Voltage Combination Gas Controls



V400



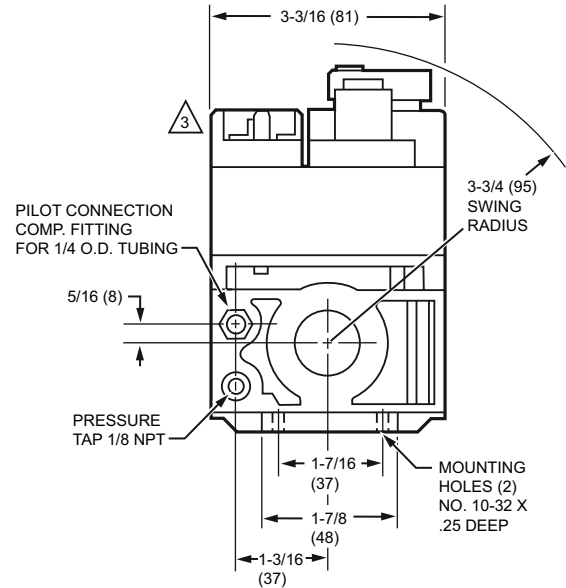
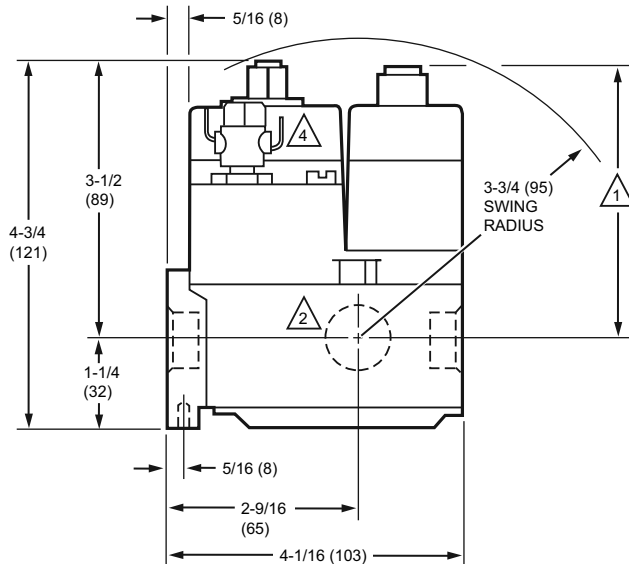
V800

Used on gas fired standing pilot appliances with 30 mV thermocouple. These gas controls include a manual gas valve, safety shutoff, single millivoltage automatic operator, and pressure regulator, pilot gas filter and flow adjustment, pressure tapping, and thermocouple connector. V800 is used on 24V systems.

- Include pilot flow adjustment screw.
- Easy to install, adjust and service; all adjustments and connections are accessible from top of control.
- Add separate energy cutoff (ECO) where codes call for dual safety shutoff.
- Complete safety shutoff on pilot flame failure.
- LITE-RITE (OFF-PILOT-ON) lighting sequence.
- ECO connector for V800 models. Part No. 392451-1.

Residential
Combustion Controls

Dimensions in inches (millimeters)



1 WITH V5306 (ILLUSTRATED), V5307 OR 5390 PRESSURE REGULATOR: 24V MODELS—3-1/2 (89), 120V MODEL—3-5/8 (92)
MANUAL MODELS—2-13/16 (71), FOR V5308 ADD 5/8 (16) TO DIMENSIONS GIVEN.

2 SIDE OUTLETS—LEFT AND RIGHT HAND. STANDARD ONLY ON TRADELINE MODELS.

3 CONTROL WITH 24V VALVE OPERATOR SHOWN. LINE VOLT MODEL HAS COVER FOR CONDUIT CONNECTION (TOP SURFACE).

M16547A

4 ECO CONNECTOR ON STANDARD CAPACITY V800 ONLY.

Type: Single Stage

Dimensions, Approximate: 4 3/4 in high x 4 1/16 in. wide x 3 3/16 in. deep (121 mm high x 103 mm wide x 81 mm deep)

Body Pattern: Straight-through, multi-tapped with 1/2 in. right and left outlets plugged

Capacity @ 1 in. p.d. 335,000 BTU/hr; 295,000 BTU/hr minimum

Ignition Type: Standing Pilot

Pressure Ratings: 1/2 psi (3.5 kPa)

Pressure Tapping: 1/8 in. NPT with plug

Pilot Gas Outlet: Compression fitting for 1/4 in. OD tubing

Mounting: 0 to 90 degrees in any direction from the upright position of the gas control knob, including vertically.



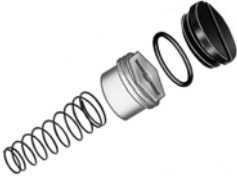

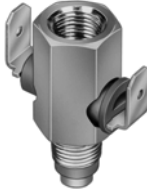

Approvals:

American Gas Association: AGA Design Certified; File No. L2025003, CGA Design Certified; File No. L2025003, UL Component Recognized.

Underwriters Laboratories Inc. UL Component Recognized.

Combination Gas Controls Parts and Accessories

Parts and Accessories for Combination Gas Controls

Product Number	Description	Used With	Picture
386449	Compression fitting for 1/4 inch OD pilot tubing, 0.65 inch total overall length	All Honeywell Combination Gas Controls	
386449-1	Compression fitting for 1/4 inch OD pilot tubing, 0.78 inch total overall length	All Honeywell Combination Gas Controls	
386449-4	Compression fitting for 1/4 inch OD pilot tubing, 1.15 inch total overall length	All Honeywell Combination Gas Controls;	
390427A	3/4 inch x 1/2 inch reducer bushing for valves	All Honeywell Combination Gas Controls	
390427B	1/2 inch x 3/8 inch reducer bushing for valves	All Honeywell Combination Gas Controls	
390427D	Envelope Assembly, includes one each of 3/4 inch x 1/2 inch, 1/2 inch x 3/8 inch, 3/4 inch x 3/8 inch reducer bushing	All Honeywell Combination Gas Controls	
390427E	Envelope Assembly, includes two 3/4 in. NPT x 1/2 in. NPT reducer bushings	All Honeywell Combination Gas Controls	
391936	LP to Natural Gas Conversion kit, including regulator spring, O-ring, screw and cap	VS821, VS820, V800	
391937	Natural Gas to LP Conversion kit, including regulator spring, O-ring, screw and cap	V800, VS821, VS820	
392449	Compression fitting for 1/8 inch OD pilot tubing, 0.65 inch total overall length	VR8200, VR8300	
392449-1	Compression fitting for 1/8 inch OD pilot tubing, 0.78 inch total overall length	VR8200, VR8300	
392449-4	Compression fitting for 1/8 inch OD pilot tubing, 1.15 inch total overall length	VR8200, VR8300	
392451-1	ECO (energy cutoff) connector for 1/4 inch (6 mm) quick-connects	V800, VS821, VS820	
392877	1/4 inch barbed vent fitting	VR8200, VR8300	
393200-1	ECO connector bag assembly, includes ECO adapter with 1/4 inch (6 mm) quick-connects	VR8200, VR8300, VR4200, VR4300	