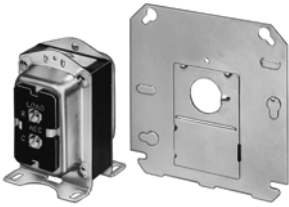


AT120; AT140; AT150A,B; AT175A General Purpose Transformer

Provide power to 24 Vac circuits in heating/cooling control systems. Intended for use in systems with predictable, uniform loads. Can be used in any application that does not exceed the listed ratings.

- Rated at 75 VA.
- Color-coded leadwires for primary connections and screw terminals for secondary connections, fixed 1/4 inch (6 mm) male quick-connects or color-coded leadwires for both primary and secondary, are standard.
- Meet NEC Class 2 requirements.
- Meet Underwriters Laboratories Inc. Standard UL 1585 and are identified. Class 2 not wet, Class 3 wet.



AT120A



AT150A



AT120B, AT140B,
AT140D, AT150B



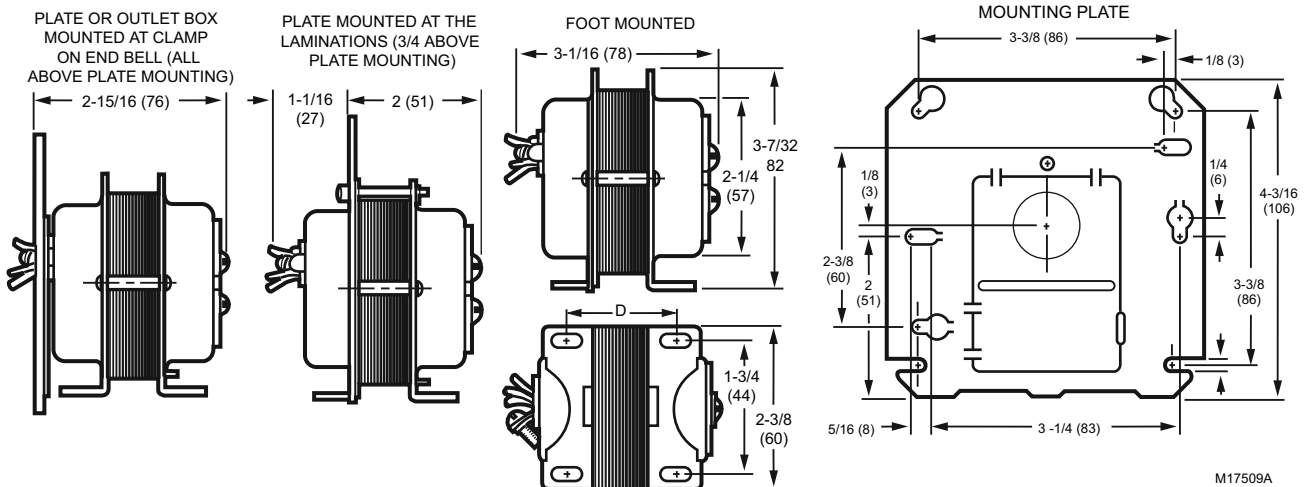
AT175A



AT140A

Residential
Combustion Controls

Dimensions in inches (millimeters)



Temperature Rating: (-29 C to +41 C) -20 F to +105 F
Frequency: 60 Hz

Approvals:

Canadian Standards Association: CSA Certified: A & B models.
Underwriters Laboratories Inc. UL Listed: A,C,F models. File # E14881

Transformers

Product Number	Dimensions, Approximate	Electrical Ratings			Electrical Connections (main)		Mounting	NEMA Rating	Includes
	(inch)	(Primary Voltage)	(Secondary Voltage)	(Output)	(Primary) (inch)	(Secondary) (inch)			
AT120A1004	2 7/8 in. high x 1 7/8 in. wide x 2 15/16 in. deep	120 Vac, 208 Vac, 240 Vac	27 V.O.C.	24 Vac at 20 VA	9 in. leadwires	(2) screw terminals	Foot mounted, plate mounted on 2x4 in. or 4x4 in. outlet box, clamp mounted using outlet box knockout, or panel mounted	No	—
AT120B1028	1 11/16 in. high x 3 3/16 in. wide x 1 3/4 in. deep	120 Vac	27 V.O.C.	24 Vac at 20 VA	9 in. leadwires	9 in. leadwires	Foot-mounted	No	End bells
AT140A1000	3 3/16 in. high x 2 3/8 in. wide x 3 1/8 in. deep	120 Vac	27 V.O.C.	24 Vac at 40 VA	9 in. leadwires	(2) screw terminals	Foot mounted, plate mounted on 2x4 in. or 4x4 in. outlet box, clamp mounted using outlet box knockout, or panel mounted	No	Metal end bells
AT140A1018	3 3/16 in. high x 2 3/8 in. wide x 3 1/8 in. deep	120 Vac, 208 Vac, 240 Vac	27 V.O.C.	24 Vac at 40 VA	9 in. leadwires	(2) screw terminals	Foot mounted, plate mounted on 2x4 in. or 4x4 in. outlet box, clamp mounted using outlet box knockout, or panel mounted	No	Metal end bells
AT140B1016	1 11/16 in. high x 3 1/2 in. wide x 1 3/4 in. deep	120 Vac	27 V.O.C.	24 Vac at 40 VA	1/4 in. male quick-connects	1/4 in. male quick-connects	Foot-mounted	No	Plastic end caps
AT140B1206	1 11/16 in. high x 3 1/2 in. wide x 1 3/4 in. deep	120 Vac	27 V.O.C.	24 Vac at 40 VA	9 in. leadwires	9 in. leadwires	Foot-mounted	No	Plastic end caps
AT140B1214	1 11/16 in. high x 3 1/2 in. wide x 1 3/4 in. deep	120 Vac, 208 Vac, 240 Vac	27 V.O.C.	24 Vac at 40 VA	9 in. leadwires	9 in. leadwires	Foot-mounted	No	Plastic end caps
AT140D1012	2 5/8 in. high x 2 1/4 in. wide x 1 15/16 in. deep	120 Vac	27 V.O.C.	24 Vac at 40 VA	9 in. leadwires	9 in. leadwires	integral 4 x 4 in. mounting plate fits 2 x 4 in. or 4 x 4 in. outlet box.	No	End bells
AT150A1007	1 11/16 in. high x 3 3/16 in. wide x 1 3/4 in. deep	120 Vac, 208 Vac, 240 Vac	27.5 V.O.C.	24 Vac at 50 VA	9 in. leadwires	(2) screw terminals	Foot mounted, plate mounted on 2x4 in. or 4x4 in. outlet box, clamp mounted using outlet box knockout, or panel mounted	No	Metal end bells
AT150B1146	1 11/16 in. high x 3 1/2 in. wide x 1 3/4 in. deep	120 Vac, 208 Vac, 240 Vac	—	24 Vac at 50 VA	9 in. leadwires	9 in. leadwires	Foot-mounted	No	—
AT150B1252	1 11/16 in. high x 3 1/2 in. wide x 1 3/4 in. deep	277 Vac	27.5 V.O.C.	24 Vac at 50 VA	9 in. leadwires with 1/4 in. male quick-connects	9 in. leadwires with 1/4 in. male quick-connects with plastic (2) end covers	Foot-mounted	No	Plastic end caps
AT175A1008	3 3/16 in. high x 2 3/8 in. wide x 3 5/8 in. deep	120 Vac, 208 Vac, 240 Vac	27.5 V.O.C.	24 Vac at 75 VA	9 in. leadwires	(2) screw terminals	Foot mounted, plate mounted on 2x4 in. or 4x4 in. outlet box, clamp mounted using outlet box knockout, or panel mounted	NEMA type E	Metal end bells