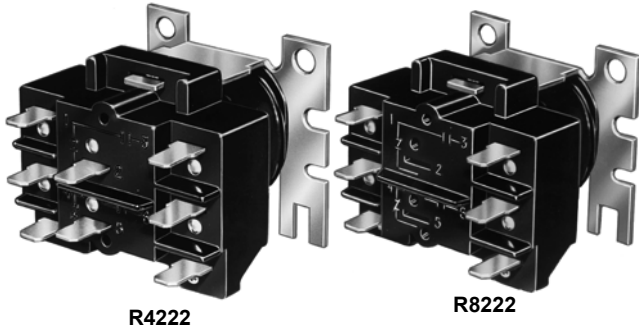


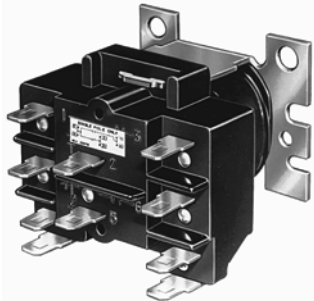
# Relays

## R4222; R8222 General Purpose and R8228 Heavy Duty Switching Relays



R4222

R8222



R8228

Provide heavy duty switching for refrigeration and air conditioning equipment, appliances, vending machines and similar applications.

- Molded terminal numbers and circuit diagram on top of relay provide easy identification for wiring and checking system operation.
- Untaped coil assures cooler operation.
- Laminated magnet construction for higher efficiency.
- Base designed for easy replacement of competitive relays.
- Single 1/4 in. quick connect coil terminals.
- Plug compatible with Steveco 90-340 and Mars 90340.

**Dimensions, Approximate:** 1 7/8 in. high x 2 5/32 in. wide x 2 3/8 in. deep (48 mm high x 55 mm wide x 60 mm deep.)

**Electrical Connections (main):** 1/4 in. quick-connect terminals

**Frequency:** 60 Hz/50 Hz

**Temperature Rating:** -20 F to +150 F (-29 C to +66 C)

**Approvals:**

**CE:** Approved

**Canadian Standards Association:** Approved

**Underwriters Laboratories Inc.** UL Component Recognized

Product Number	Electrical Ratings, Contacts		
	(Full Load)	(Locked Rotor)	(Resistive)
R4222B, R4222D, R4222N, R8222B, R8222D, R8222N	3 A @ 480 Vac; 6 A @ 208 Vac, 240 Vac, 277 Vac; 12 A @ 120 Vac	18 A @ 480 Vac; 35 A @ 208 Vac, 240 Vac, 277 Vac, 60 A @ 120 Vac	10 A @ 480 Vac; 20.8 A @ 120 Vac, 208 Vac, 240 Vac, 277 Vac
R8222U	3 A @ 480 Vac; 6 A @ 208 Vac, 240 Vac, 277 Vac; 12 A @ 120 Vac	18 A @ 480 Vac; 35 A @ 208 Vac, 240 Vac, 277 Vac; 60 A @ 120 Vac	15 A @ 120 Vac, 208 Vac, 240 Vac, 277 Vac; 10 A @ 480 Vac
R8222V	3 A @ 480 Vac; 6 A @ 208 Vac, 240 Vac, 277 Vac; 12 A @ 120 Vac	18 A @ 480 Vac; 35 A @ 208 Vac, 240 Vac, 277 Vac, 60 A @ 120 Vac	10 A @ 480 Vac; 20.8 A @ 120 Vac, 208 Vac, 240 Vac, 277 Vac
R8228A	16 A @ 120 Vac; 5 A @ 480 Vac; 12 A @ 277 Vac; 18 A @ 208 Vac, 240 Vac; 16/18 A @ 120 Vac	96 A @ 120 Vac; 30 A @ 480 Vac; 72 A @ 208 Vac, 240 Vac, 277 Vac	15 A @ 480 Vac; 25 A @ 120 Vac, 208 Vac, 240 vac, 277 Vac
R8228B	5 A @ 480 Vac; 12 A @ 277 Vac; 18 A @ 208 Vac, 240 Vac; 16/18 A @ 120 Vac	30 A @ 480 Vac; 72 A @ 208 Vac, 240 Vac, 277 Vac; 96/72 A @ 120 Vac	12.5 A @ 480 Vac; 25 A @ 120 Vac; 208 Vac, 240 Vac, 277 Vac
R8228D	3.0 A @ 480 Vac; 5.5 A @ 120 Vac, 208 Vac, 240 Vac, 277 Vac	8 A @ 480 Vac; 15 A @ 120 Vac, 208 Vac, 240 Vac, 277 Vac	12.5 A @ 480 Vac; 25 A @ 120 Vac; 208 Vac, 240 Vac, 277 Vac

Product Number	Pilot Duty Ratings
R4222B, R4222D, R4222N, R8222B, R8222D, R8222N, R8222U, R8222V	Minimum: 3 VA @ 24 Vac, 120 Vac, & 480 Vac; Maximum: 25 VA @ 24 Vac, 125 VA @ 120 Vac, 240 Vac, & 480 Vac; Resistive: 3 A @ 277 Vac (0.75 power factor); Powerpile: (Normally Open Contacts Only) 0.25 A @ 0.25 to 12 Vdc
R8228A, R8228B, R8228D	—

	Product Number	Coil Ratings Voltage	Frequency	Switching
*	R4222B1082	120V	60 Hz; 50 Hz	SPDT
*	R4222D1013	120 V	60 Hz; 50 Hz	DPDT
*	R4222D1021	208V; 240V	60 Hz; 50 Hz	DPDT
*	R4222N1002	120V	60 Hz; 50 Hz	DPDT - Pilot Duty
*	R8222B1067	24 Vac	60 Hz; 50 Hz	SPDT
*	R8222D1014	24 Vac	60 Hz; 50 Hz	DPDT
*	R8222N1011	24 Vac	60 Hz; 50 Hz	DPDT - Pilot Duty
*	R8222U1079	24 Vac	60 Hz; 50 Hz	DPST N.O.(1 P&1 P duty)
*	R8222V1003	24 Vac	60 Hz; 50 Hz	DPDT (1 P&1PDuty)
	R8228A1006	24 Vac	60 Hz; 50 Hz	SPST N.O.
*	R8228B1012	24 Vac	60 Hz; 50 Hz	SPDT
	R8228D1018	24 Vac	60 Hz; 50 Hz	DPST N.O.
* TRADELINE models • SUPER TRADELINE models				

## R4225; R8225 Fan Relay



Provide general purpose and heavy duty switching for refrigeration and air conditioning equipment, appliances, vending machines and similar applications.

- Molded terminal numbers and circuit diagram on top of relay provide easy identification for wiring and checking system operation.
- Untaped coil assures cooler operation.
- Laminated magnet construction for higher efficiency.
- Base designed for easy replacement of competitive relays.
- Double quick-connect coil terminals.
- Plug compatible with Steveco 90-340 and Mars 90340.

**Dimensions, Approximate:** 2 11/16 in. high x 2 1/2 in. wide x 3 7/16 in. deep (68 mm high x 64 mm wide x 87 mm deep)

**Electrical Connections (main):** Leadwires

**Frequency:** 60 Hz

**Temperature Rating:** 115 F (46 C)

**Approvals:**

**Canadian Standards Association:** Certified: File No. LR95329-1

**Underwriters Laboratories Inc.** UL Listed: File No. E14480, Vol. 1, Sec. 3, Guide No. NLDX

Product Number	Electrical Ratings, Contacts		
	(Full Load)	(Locked Rotor)	(Resistive)
R4225A, R8225A	N.O. 8.0A, N.C., 7.0A, Aux. 2.0A @ 240 Vac; N.O. 14.0A, N.C. 14.0A, Aux. 3.0A @ 120 Vac	N.O. 48.0 A, N.C. 42.0 A, Aux. 12.0 A @ 240 Vac; N.O. 84.0 A, N.C. 84.0 A, Aux. 18.0 A @ 120 Vac	N.O. 8.0 A, N.C. 7.0 A, Aux. 2.0 A @ 240 Vac; N.O. 16.0 A, N.C. 14.0 A, Aux. 3.0 A @ 120 Vac
R8225D1003	N.O. 8.0 A, Aux. 2.0 A @ 240 Vac; N.O. 14.0 A, Aux. 3.0 A @ 120 Vac	N.O. 48.0 A, Aux. 12.0 A @ 240 Vac; N.O. 84.0 A, Aux. 18.0 A @ 120 Vac	N.O. 8.0 A, Aux. 2.0 A @ 240 Vac; N.O. 16.0 A, Aux. 3.0 A @ 120 Vac

**Accessories:**

129384A Case and Cover Assembly

	Product Number	Coil Ratings Voltage	Frequency	Switching
	R4225A1008	120 V	60 Hz	SPDT, 1 N.O., 1 N.C.
*	R8225A1017	24 Vac	60 Hz	SPDT
	R8225D1003	24 Vac	60 Hz	DPST N.O.
* TRADELINE models • SUPER TRADELINE models				