

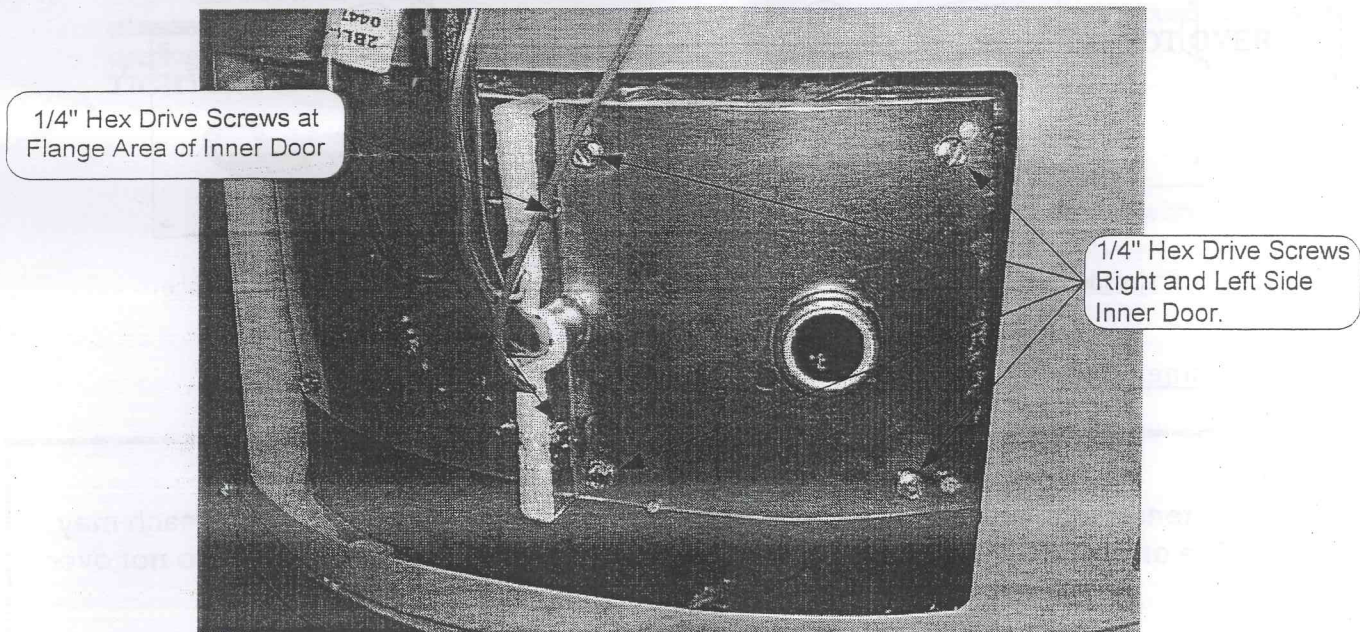
# Residential Gas Sealed Combustion Water Heaters

## Instruction For: INNER DOOR GASKET REPLACEMENT KIT 239-45909-00

(To be performed ONLY by qualified  
service providers)

### Inner Door Removal Procedure

- Step 1. Rotate knob of the Combination Thermostat/Gas Valve to the "OFF" position.
- Step 2. Remove outer jacket burner access door.
- Step 3. Remove inner door.  
a) Remove (4) 1/4" hex drive screws from right side inner door.  
b) Remove (2) 1/4" drive screws from flange section of inner door.  
c) Remove (4) 1/4" drive screws from left side inner door.  
d) Remove inner door and inspect per step 4.



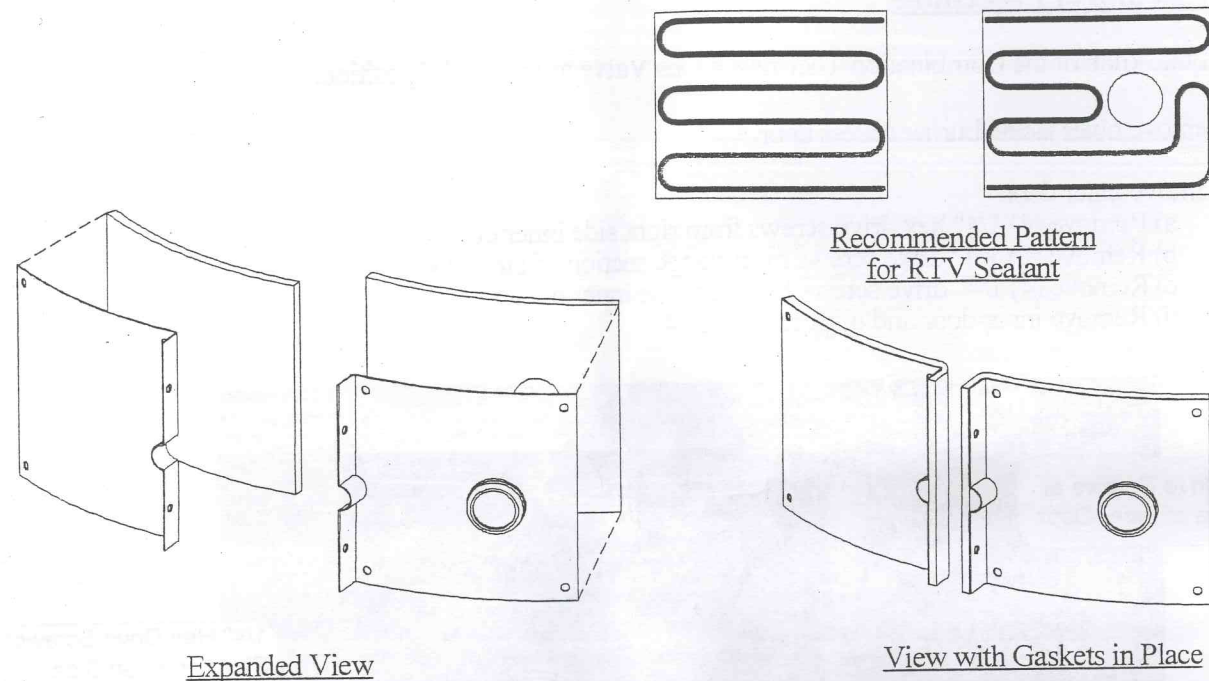
- Step 4. Fully inspect inner door gaskets for the following:
- >Tears
  - >Missing Material
  - >Cracks
  - >Dirt or debris
  - >Other imperfection that will inhibit proper seal
  - >Gasket adhesion to inner door
  - >Material left on combustion chamber (around opening)

If the gasket is not effected by any of the above, gasket replacement is not required. If replacement is required, proceed to Inner Door Gasket Replacement Procedure.

## Inner Door Gasket Replacement Procedure.

**⚠ WARNING**  
 If the information in these instructions is not followed exactly, a fire or explosion may result causing property damage, personal injury or death.

- Step 5. After inspection of inner door as noted in step 4, completely remove gasket and adhesive residue from right and left side inner doors as needed.
- Step 6. Use RTV sealant to secure the inner door gasket to the inner door sections (right & left). Refer to illustration below for proper application.



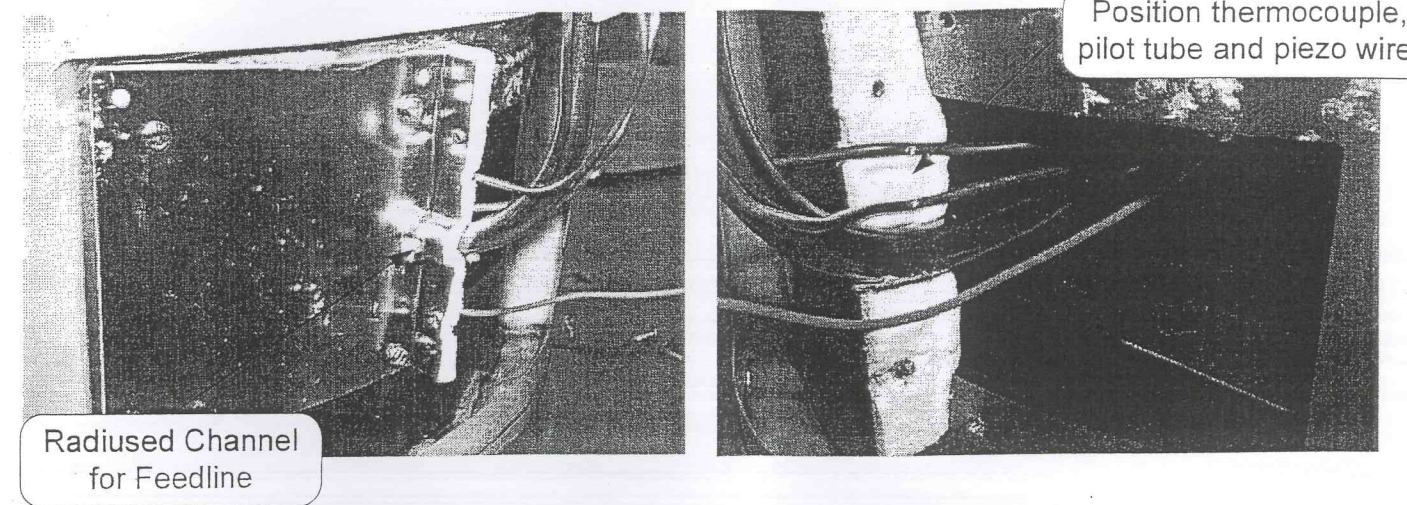
## Installation of Inner Door With Gasket.

**⚠ WARNING**  
 Stripped fastener connections may allow for seal breach of inner door. A seal breach may result in a fire or explosion causing property damage, personal injury or death. Do not over tighten screws in steps 8, 10 and 11.

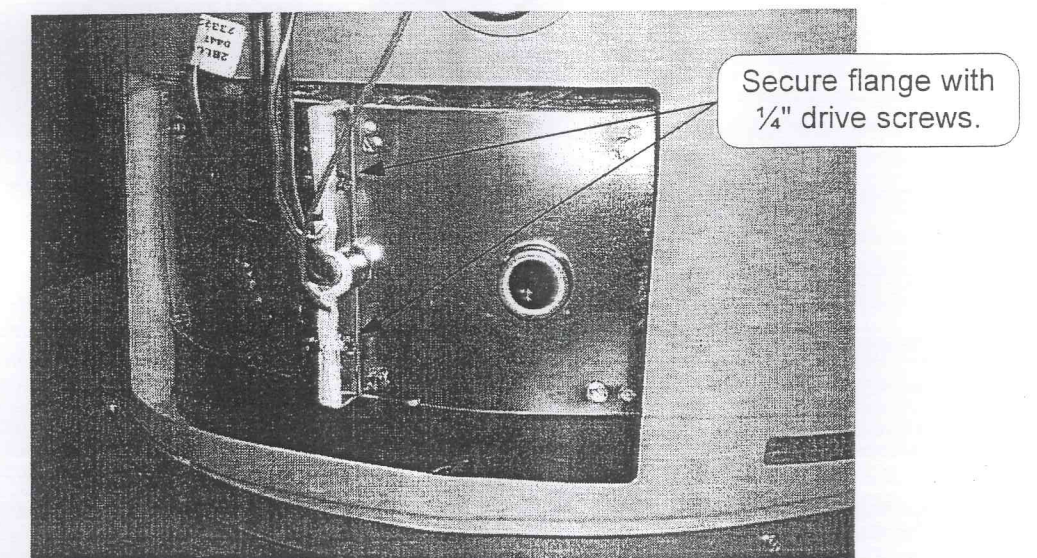
If a fastener connection is stripped, contact the manufacturer listed on the water heater rating plate.

- Step 7. Clean any residual gasket residue or other debris from combustion chamber surface before installing the inner door/gasket assembly.
- Step 8. Place the left side inner door into position first. Firmly position the radiused channel of the inner door around the feedline. Using the 1/4" hex drive screws from step 3c, secure left side inner door in place. **DO NOT OVER TIGHTEN SCREWS.**

- Step 9. Position thermocouple, pilot tube and Piezo wire against left side inner door flange gasket. **DO NOT ROUTE THROUGH RADIUSED CHANNEL WITH FEEDLINE.**



- Step 10. Firmly place right side inner door flange against the left side inner door flange and secure with two 1/4" drive screws from step 3b. **DO NOT OVER TIGHTEN SCREWS.**
- Step 11. Align right side inner door to combustion chamber and verify the fastener holes of the combustion chamber are aligned with the right side inner door mounting holes. Verify seal integrity around combustion opening. Secure right side inner door using (4) 1/4" hex drive screws from step 3a. **DO NOT OVER TIGHTEN SCREWS.**



- Step 12. Replace outer jacket burner access door.
- Step 13. To resume operation follow the instructions located on the lighting instruction label or the lighting instructions located in the installation and operation manual.