

FV SENSOR REMOVAL/REPLACEMENT

RESIDENTIAL GAS POWER VENTED WATER HEATERS WITH HOT SURFACE IGNITION
NOT FOR USE IN MANUFACTURED (MOBILE) HOMES

When using a gas fired water heater there is a risk of flammable vapors entering the combustion chamber, being ignited by the burner flame and causing a flashback. In order to detect such flammable vapors before they enter the combustion chamber, this water heater is equipped with a flammable vapor sensor (FVS). It is a chemical-absorption based sensor that is connected to the gas control/thermostat (see Figure 1). When exposed to flammable vapors it will trigger the control to stop the flow of gas and enter the FVS lockout state. While in the FVS lockout state the LED on the control will flash the gas lockout code. Refer to the "Gas Control Led Status Codes" section for an explanation of the codes applicable to the control installed on your water heater. If an FVS lockout occurs, check around the water heater for sources of chemical contamination such as flammable vapors including gas vapors, solvents, paint and thinners as well as sources of water and detergents.

Note: Resetting the heater will reset the FVIR circuit if all sources of contamination have been removed and the sensor clears. If all sources of contamination have been removed and the system will not reset, the sensor will need to be replaced.

If there is a problem with the wiring of the flammable vapor sensor or the flammable vapor interface the LED will flash the failure status code (see "Troubleshooting Guide" in the Installation and Operating Manual).

Important: Use only factory authorized replacement parts. If you lack the necessary skills to properly perform the installation, you should not proceed, but get help from a qualified service technician.

Removing the Flammable Vapour (FV) Sensor

1. Set the gas control valve/thermostat to its lowest setting by turning the knob counter-clockwise to the VAC point (see Figure 1).
2. Turn the gas control switch to the "OFF" position (see Figure 1). Turn "OFF" the main gas supply to the heater.
3. Disconnect the electrical power to the water heater from the wall outlet.
4. Remove and retain the sensor cover by rotating it to the left (ccw).
5. The sensor is snapped into place in the mounting bracket. Pull the sensor to remove it (see Figure 1).
6. Disconnect the two (2) leads from the rear of the sensor.

Installing the Flammable Vapour (FV) Sensor

1. Connect the two (2) terminals to the terminals on the sensor.
2. Snap the sensor back into position on the mounting bracket.
3. Reattach the sensor cover by placing it into position on the mounting bracket and turning it right (cw) to secure it.
4. Reconnect the electrical power to the water heater in the wall outlet and turn the gas supply back "ON" to the gas control valve/thermostat.
5. Restart the water heater by following the directions on the "Lighting and Operating Instructions" label located on the front of the water heater.

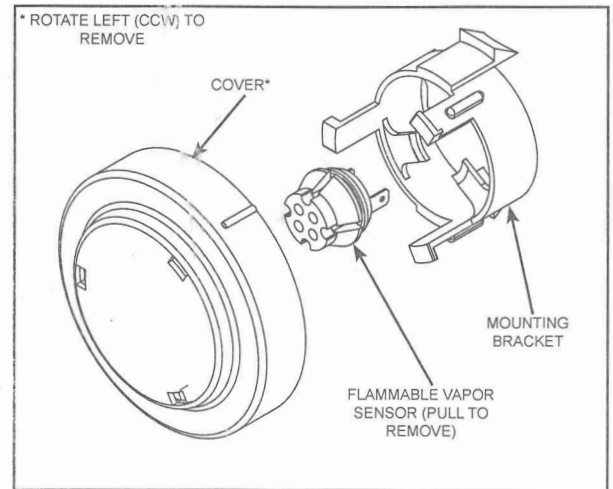


Figure 1