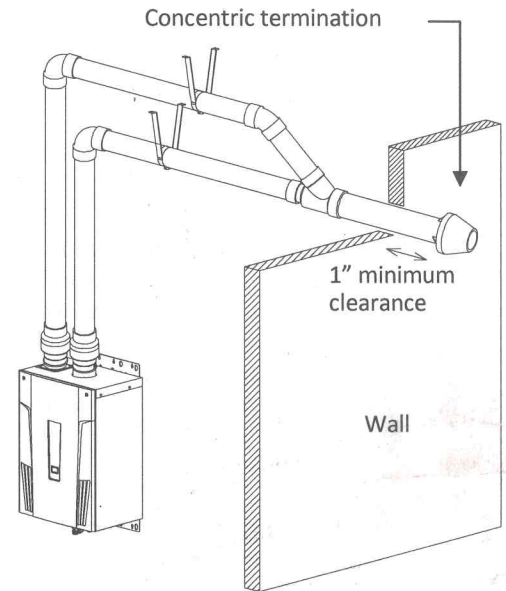
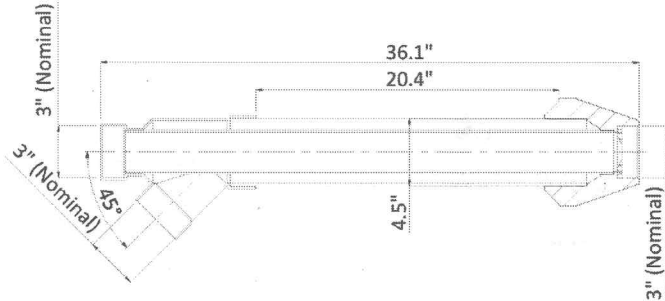




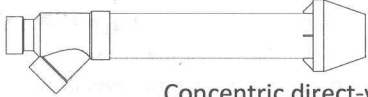
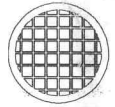

# INSTALLATION INSTRUCTIONS

## TH-CVPVC33

### 3" Sidewall Direct-Vent Concentric Termination Kit



#### Included Items

	Concentric direct-vent termination (Qty.1)
	Bird screen (Qty.1)
	Installation Instructions (Qty.1)
Stainless steel screw & nut set (Qty.1)	

#### GENERAL



#### WARNING

Improper installation can cause nausea or asphyxiation, severe injury or death from carbon monoxide and flue gas poisoning. Improper installation will void product warranty.



When installing the vent system, all applicable national and local codes must be followed. If you install thimbles, fire stops or other protective devices and they penetrate any combustible or noncombustible construction, be sure to follow all applicable national and local codes.

The TH-CVPVC33 termination kit is only to be used with the Takagi T-H2-DV model and is only to be used as a sidewall termination (horizontal). The TH-CVPVC33 is not to be used as a roof termination (vertical). Doing so will void the warranty of the Takagi water heater. **Please follow all instructions in the T-H2-DV Installation Manual for proper venting.**

The T-H2-DV must be vented in accordance with the section "Venting of Equipment" of the latest edition of the Natural Fuel Gas Code: ANSI Z223.1/NFPA 54 and/or Section 7 of the CAN/CSA B149.1 Natural Gas and Propane Installation Code in Canada, as well as all applicable local building codes.

*Vent installations in Canada which utilize plastic venting must use vent systems that comply with ULC S636. The TH-CVPVC33 concentric vent termination kit is certified to ULC S636 for use with IPEX PVC vent system. Please follow the procedures outlined in the IPEX System 636 Installation Guide on the use of solvents and cements, available at [www.ipexinc.com](http://www.ipexinc.com).*



# INSTALLATION INSTRUCTIONS

## Concentric vent kit assembly

1. Once the proper location has been determined, cut a hole in the wall large enough to accommodate the outer pipe.
2. Solvent cement the inner pipe to the concentric Y-fitting.
3. Solvent cement the outer pipe to the concentric Y-fitting.
4. Slide the assembly through the wall penetration.
5. To permanently affix the termination cap, it should be solvent cemented to the inner pipe. For installations where removal of the cap may be required for service or cleaning, it can be fastened mechanically with the supplied screw & nut set. For either installation method, the outer pipe is only a friction fit with the cap.
6. Once the cap is installed, and the kit is secured as outlined below, the kit can be connected to the venting system.

## Installation / support procedures

1. Kits must be securely fastened to structure, to ensure dimensions shown below are maintained.
2. Straps are field supplied. Use straps, clamps, or equivalent that will not score or damage the pipe. Expansion and contraction should be addressed between appliance and termination point.
3. All penetrations must be sealed according to local codes. Caulking for sidewall terminations is typical. Use only PVC/CPVC compatible sealing material.
4. The weight of the concentric kits must be supported by the clamps/straps and not by the vent system it connects to.

## Mechanically fastened termination cap

If the cap is to be mechanically fastened, please follow the instructions below:

1. Locate the drill location dimple on the outside of the cap.
2. At this location, drill a 3/16" hole through the cap and the inner pipe wall. Ensure that the path of the hole is perpendicular to the inner pipe, NOT the outside of the cap.
3. Insert the screw and tighten the bolt. Do not over tighten.

