

INSTALLATION INSTRUCTIONS CONTROL AND LIMIT KIT 9004968

GENERAL

This Control Kit No. 9004968 is a one-piece thermostat and high limit control used to replace Part No. 68829, 68830, 97331, and 97332 two-piece upper and lower controls, which are no longer available. This means, if either of the individual controls requires replacement, both will need replacing with the new one-piece control. In addition, Kit No. 9004968 will replace similar one-piece controls.

When used to replace the similar controls, simply remove the original control and install the new one in its place. Reconnect the wiring in the original fashion.

Use the following instructions when the one-piece control replaces both of the original two-piece controls.

REPLACING TWO PIECE CONTROLS

Remove both the upper and lower controls, channels and related wiring attached to the controls and gas valve. Keep the wiring; you can use some to connect the new control to the gas valve. Use Instruction sheet from the manufacturer of the control as supplement instructions to the following, if necessary.

Replace the original immersion wells with the new ones furnished. **NOTE:** The lower well and the control are a one-piece unit and installs as a unit. Drain and refill the tank as necessary to install wells. Check for water leaks.

Route the remote bulb to the top well, insert it to the full depth of the well and clamp in place. Place the upper channel over the capillary tube.

Select the proper wiring diagram, which corresponds to the gas valve installed on the heater. **NOTE:** All the wiring diagrams are for non-recycling high limit operation. That is, if the high limit contacts open the magnet in the gas valve or safety pilot it will close causing the heater to shut down. Restore operation by re-lighting the pilot.

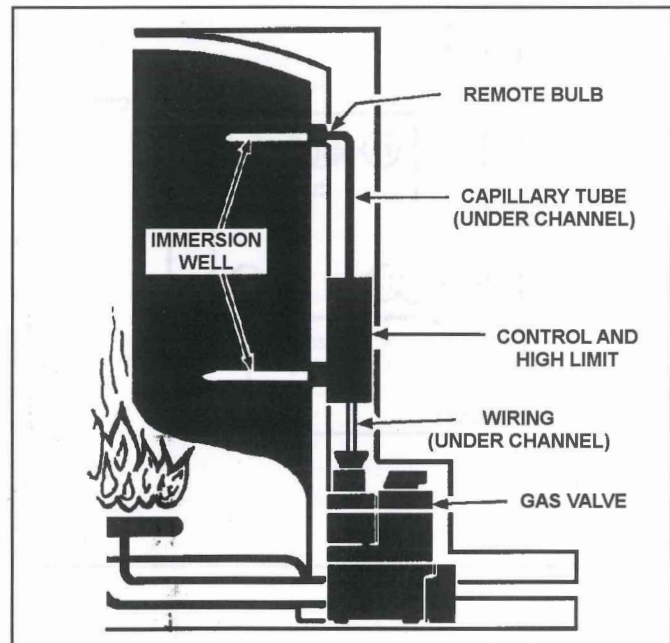
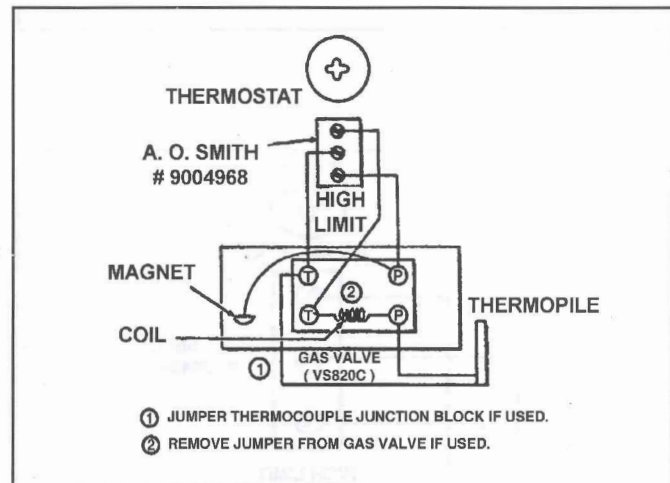
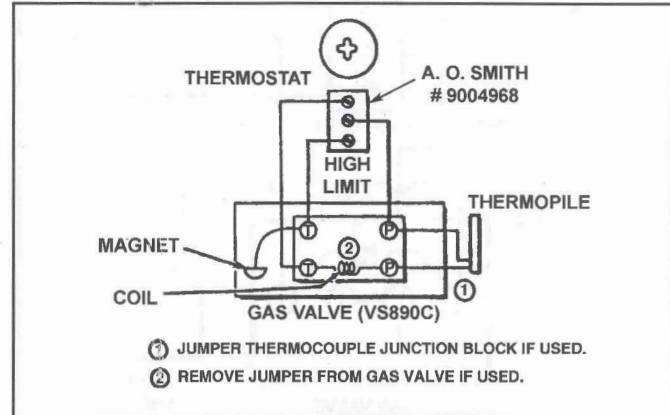


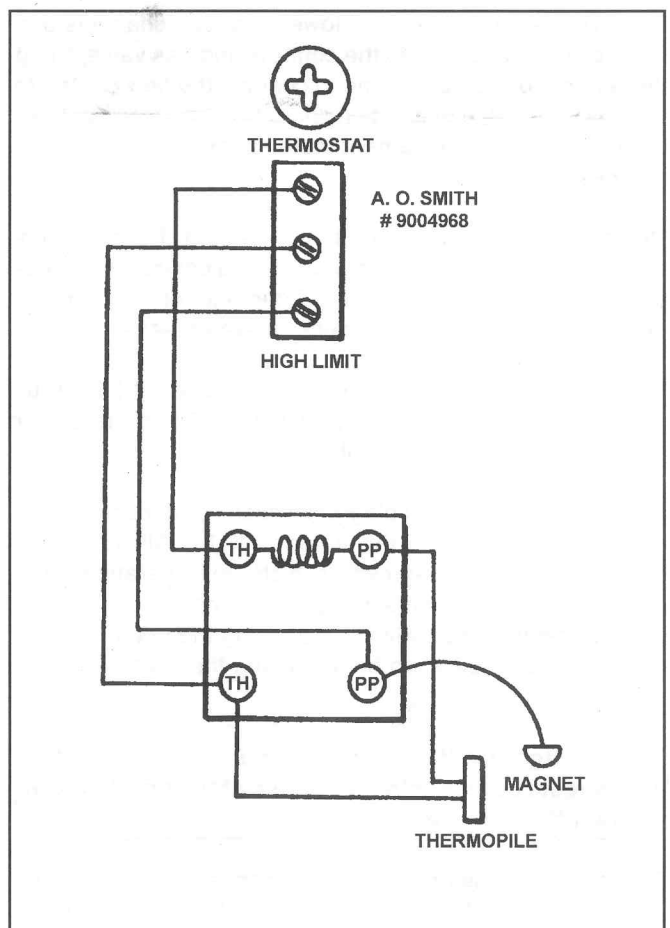
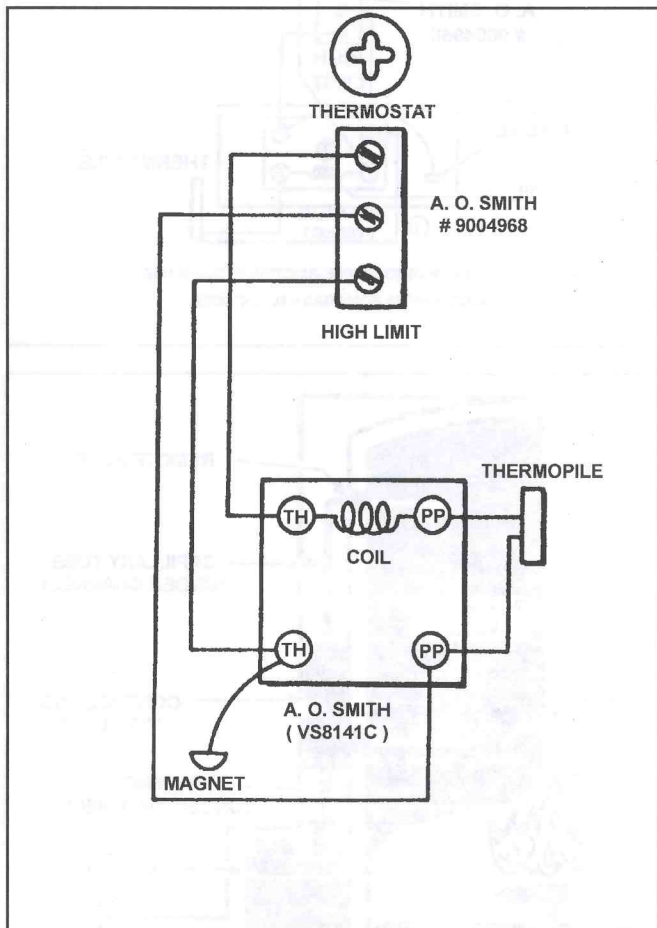
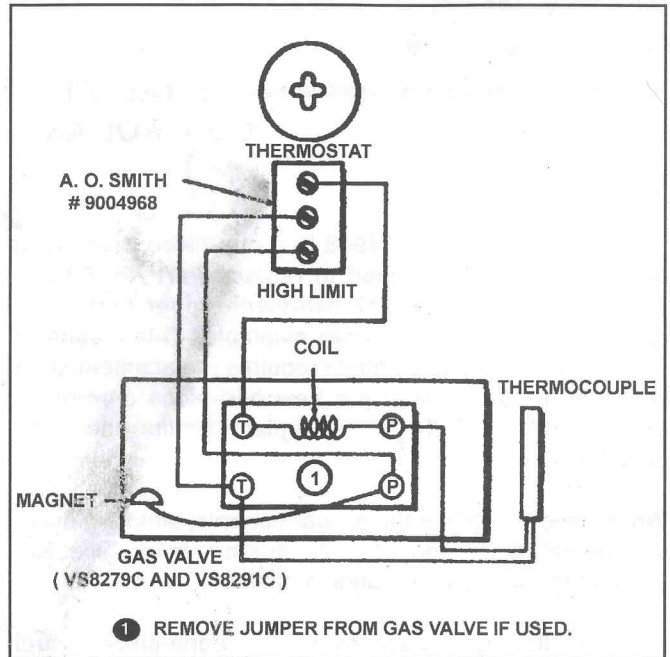
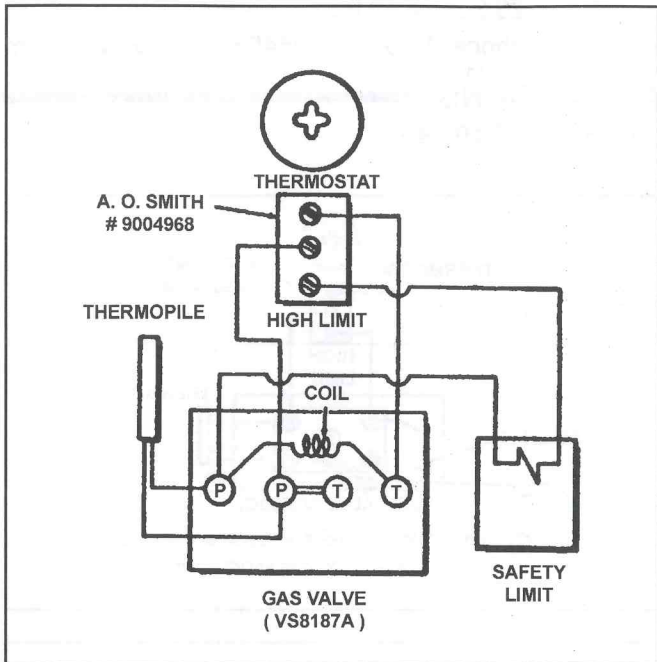
CAUTION:

If the High limit operation repeats frequently, investigate to determine the cause of the problem and correct the problem.

Reuse some of the original wires to connect the new control to the gas valve. Place the lower channel over the wiring.

Set the control to the desired water temperature. Restore the heater to service and check operation.





INSTRUCTIONS

CONTROL AND LIMIT - PART NO. 76200

GENERAL

The Part No. 76200 one piece thermostat and high limit is used to replace Part No. 68829, 68830, 97331 and 97332 two piece upper and lower controls as they are no longer available. This means that if either of the individual controls require replacement, both will have to be replaced with the new one piece control. The Part No. 76200 control is also used as a replacement for similar one piece controls.

When used as a like-for-like replacement the installation is simple. Remove the original control and install the new one in its place. The wiring is reconnected in the original fashion.

Use the following instructions when the one piece control replaces both of the original two piece controls.

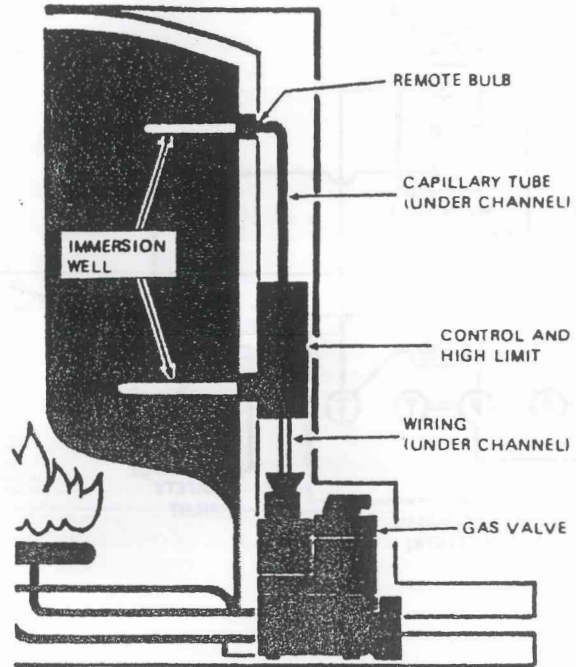
REPLACING TWO PIECE CONTROLS

Remove both the upper and lower controls, channels and related wiring attached to the controls and gas valve. Some of the wiring will be re-used to connect the new control to the gas valve. The control manufacturer's instruction sheet should be used to supplement the following if necessary.

Replace the original immersion wells with the new ones furnished. NOTE: The lower well is attached to the control and is installed as a unit. Drain and refill the tank as necessary to install wells. Check for water leaks.

Route the remote bulb to the top well and insert it to the full depth of the well and clamp in place. Place the upper channel over the capillary tube.

Select the proper wiring diagram which corresponds to the gas valve installed on the heater. NOTE: All the wiring diagrams are for non-recycling high



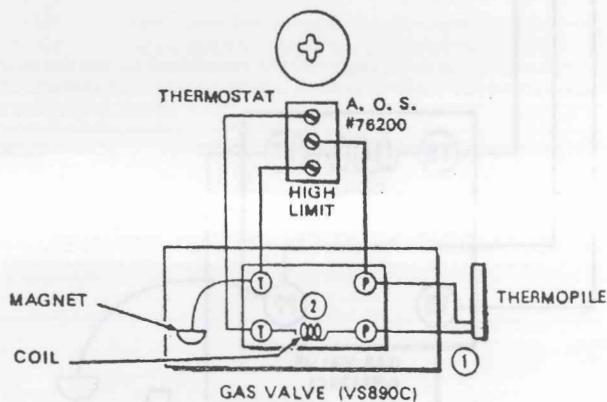
limit operation. That is, if the high limit contacts open the magnet in the gas valve or safety pilot will close causing the heater to shut down. The pilot will have to be relit to restore operation.

CAUTION:

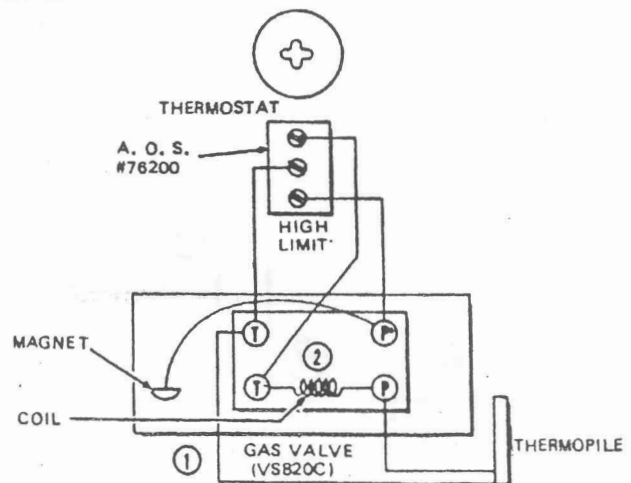
Repeated high limit operation must be investigated, the cause determined and the problem corrected.

Reuse some of the original wires to connect the new control to the gas valve. Place the lower channel over the wiring.

Set the control to the desired water temperature. Restore the heater to service and check operation.

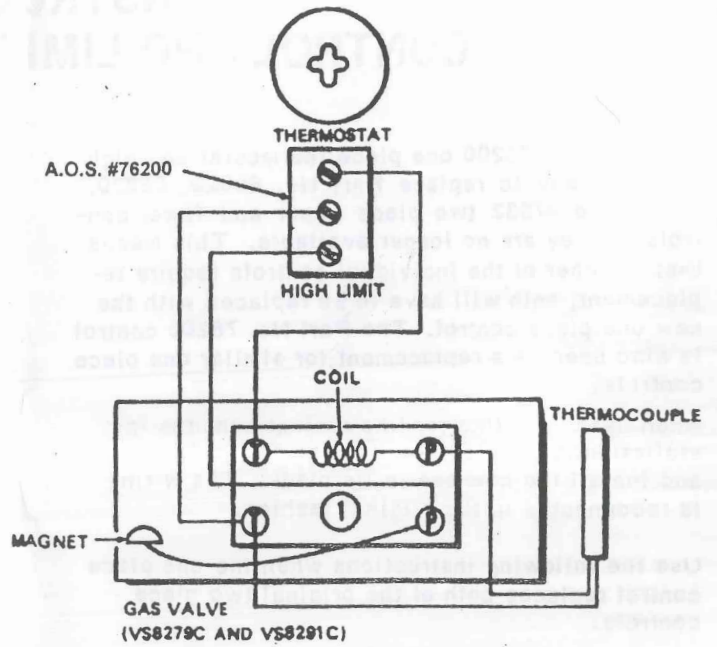
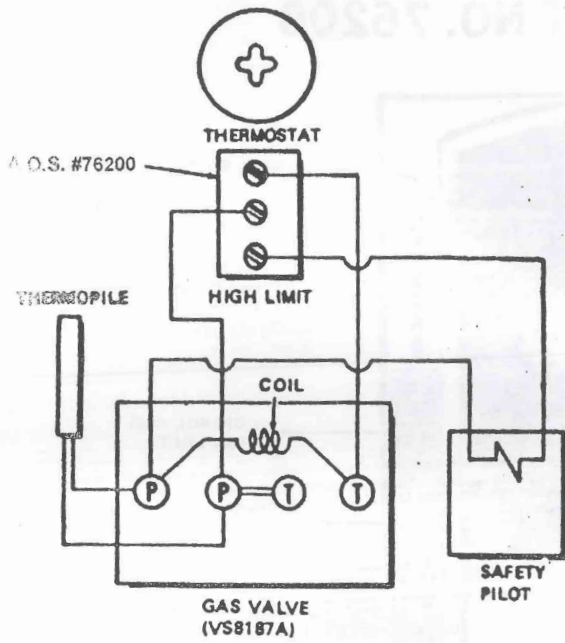


- ① JUMPER THERMOCOUPLE JUNCTION BLOCK IF USED.
- ② REMOVE JUMPER FROM GAS VALVE IF USED.



- ① JUMPER THERMOCOUPLE JUNCTION BLOCK IF USED.
- ② REMOVE JUMPER FROM GAS VALVE IF USED.

(OVER)



① REMOVE JUMPER FROM GAS VALVE IF USED

