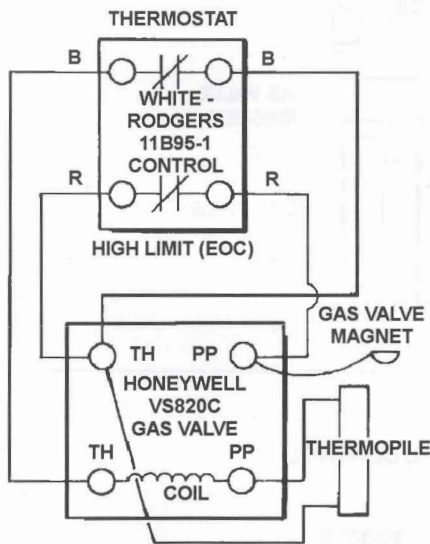


**INSTALLATION INSTRUCTIONS**

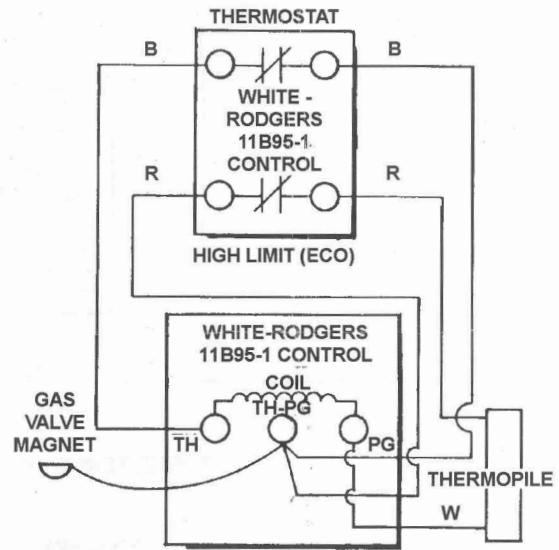
**REPLACING HONEYWELL VS820C WITH WHITE-RODGERS 36C GAS VALVE**

The gas valve you have received may differ from the one you are replacing in the number and position of the electrical terminals. If so, observe the proper diagram for attaching the wiring to the new valve. These diagrams are for A. O. Smith commercial water heater models BT & BTL-120, 155, 181, 197, 199, 251(A) & 271(A) wired for non-recycling automatic gas shutoff. After the valve is replacement, check for gas leaks and proper operation. See other side for swimming pool heaters models BC-16, BPC-25 and 30.

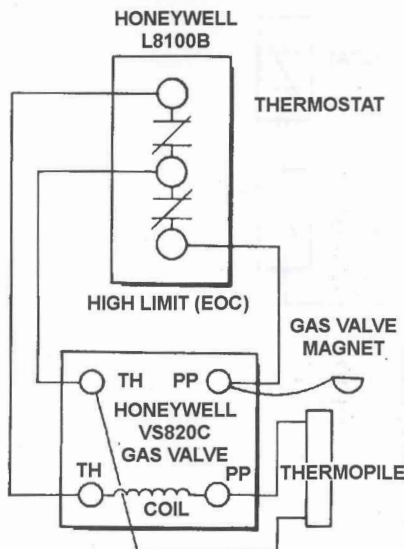
**FOUR TERMINAL GAS VALVE AND CONTROL**



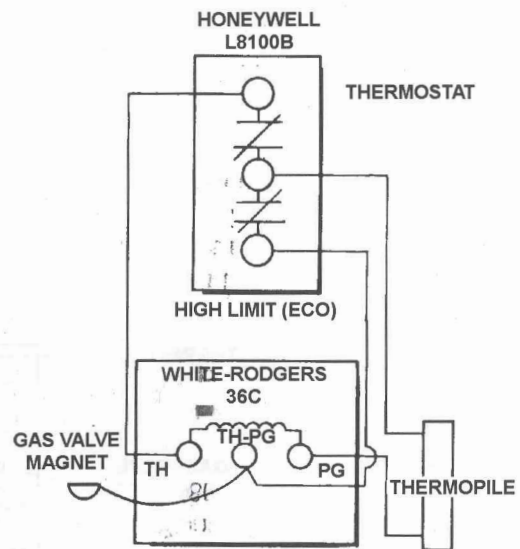
**THREE TERMINAL GAS VALVE AND CONTROL**



**FOUR TERMINAL GAS VALVE AND THREE TERMINAL CONTROL**



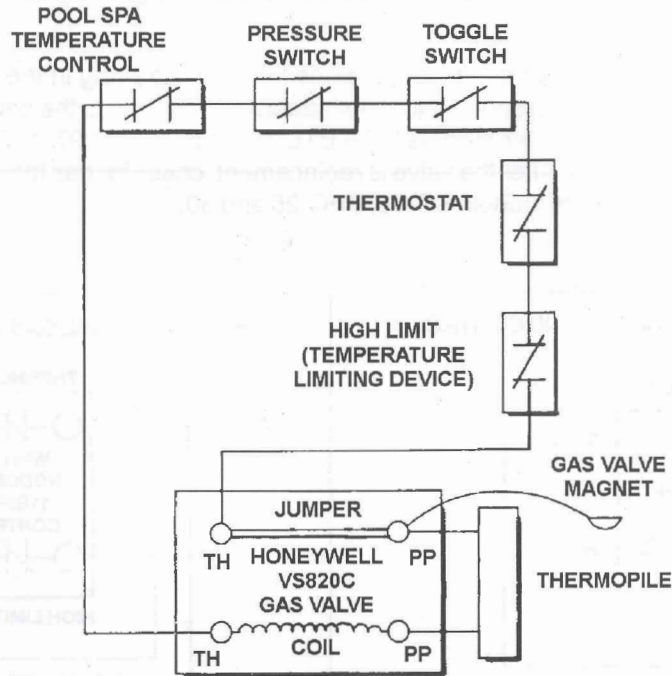
**THREE TERMINAL GAS VALVE AND CONTROL**



# WIRING DIAGRAM

## BPC-16, BPC-25 & BPC-30

### FOUR TERMINAL GAS VALVE AND CONTROL



### THREE TERMINAL GAS VALVE AND CONTROL

