

WHITE-RODGERS H-VALVE

This kit is equipped with the new White-Rodgers 35H33-415 natural gas valve (A. O. Smith part number 197282-001). The new H-valve (figure 1) is replacing the older 33C valve currently utilized today.

Other components supplied in the kit are:
 197287-000 - Wiring diagram label
 197363-000 - Lighting and Operating label
 197343-000 - Gas valve wiring harness

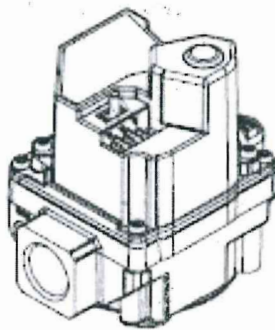


Figure 1: White-Rodgers H-Valve

The new H-valve possesses the following characteristics:

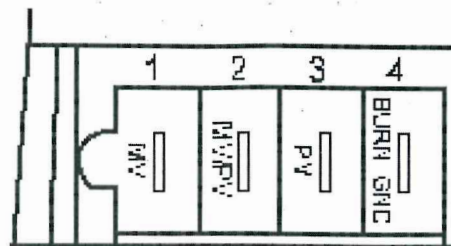
Electrical: 24 VAC 50/60 Hz .410Amps
 Max. Pressure 1/2" PSI
 regulator is set to 3.5"WC

IMPORTANT

The major difference between the older 36C valve and the new 36H valve is the opening characteristics. The 36C is a step-opening valve. The 36H is a slow opening valve that simulates the 36C opening characteristics to supply a smooth ignition.

The wiring of the 36H is similar to the 36C except the pilot valve wire is not an integral part of the valve. The kit supplies a new wiring harness (197346-000) that runs from the Honeywell ignition module to the gas valve. See figure 2 for connections.

Honeywell Ignition Control



Honeywell	35H Valve
MV	→ M
MVPV	→ C
PV	→ P

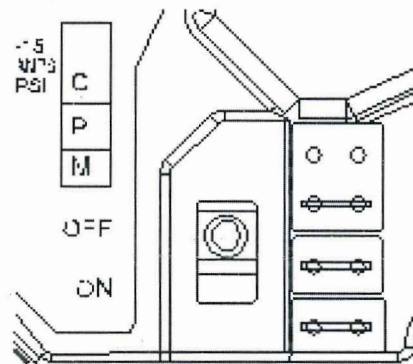


Figure 2: Wiring Connections

The 36 H-Valve also provides an off/on switch whereas the older 36C valve utilizes a manual cock valve to open and shut the main gas off.

The 36 H-Valve supplied with this kit has a 3/4" inlet. For units requiring a 1/2" inlet, a 1/2" by 3/4" NPT bushing is required.

After replacing the gas valve and wiring harness, attach new wiring diagram label and the lighting and operations label over the old labels for future reference.

QUESTIONS?

Please refer questions to the A. O. Smith Technical Information Center with model + serial number of water heater.