

Installation Instructions

▲WARNING

The Point Of Use water heater requires a specific type thermostat. Failure to use the exact thermostat designed for this water heater could result in DEATH, SERIOUS BODILY INJURY OR PROPERTY DAMAGE. Use only thermostat model WH9P part # 9002394 mfg. by APCOM, Inc. This thermostat can be obtained from your dealer or water heater manufacturer. See rating plate.

▲WARNING

This thermostat must not be used on any water heater with more than six gallon capacity because it could result in an explosion causing DEATH, SERIOUS BODILY INJURY, OR PROPERTY DAMAGE. If you have any questions consult your local retailer.

1. PART

This 6 terminal thermostat replaces all other 4 and 6 terminal thermostats.

▲WARNING

For safe operation of your water heater, purchase a 9000726 thermostat terminal cover. Failure to do this could result in DEATH, SERIOUS BODILY INJURY, OR PROPERTY DAMAGE.

2. TOOLS NEEDED



Phillips Head Screwdriver

3. INSTALLATION INSTRUCTIONS

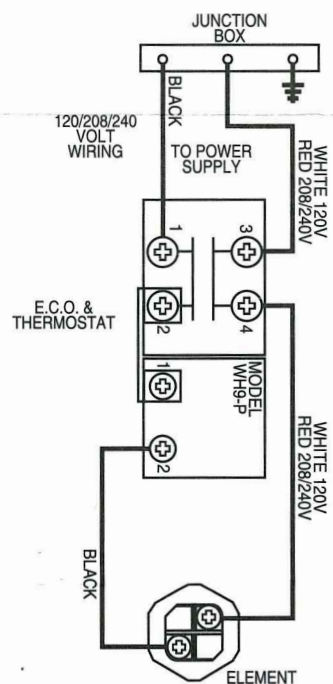
▲WARNING

HAZARD OF ELECTRICAL SHOCK! Before removing any access panels or servicing the water heater, make sure the electrical supply to the water heater is turned "OFF". Failure to do this could result in DEATH, SERIOUS BODILY INJURY, OR PROPERTY DAMAGE.

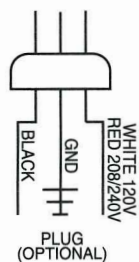
1. SHUT OFF electric power to the water heater.
2. Remove the access panel and fold back the insulation.
3. Remove the plastic terminal cover.

▲CAUTION

RISK OF ELECTRIC SHOCK! Connect branch circuit equipment grounding means to water heater. For detail information refer to instruction manual.



THIS WATER HEATER IS EQUIPPED FOR USE ON A SINGLE ELEMENT CIRCUIT.
 CHECK RATING PLATE FOR VOLTAGE.



4. Disconnect wires from thermostat and slide it out of the bracket.
5. Place the new thermostat in the bracket making sure it fits firmly against the tank.

▲WARNING

Failure to place the thermostat behind the thermostat bracket and against the tank could cause overheating resulting in DEATH, SERIOUS BODILY INJURY, OR PROPERTY DAMAGE.

6. Attach the wires to the new thermostat.
7. Put plastic terminal cover back on.
8. Carefully fold insulation back to cover the thermostat.
9. Replace access panel. Then turn the electric power on.